



AMP-IN

TE Internal #: 350196-1

PCB Terminals, Receptacle, 26 – 20 AWG Wire Size, .12 – .5 mm<sup>2</sup>

Wire Size, Through Hole - Solder, Tin Plating, Copper, Reel,

Terminates To Wire & Cable

[View on TE.com >](#)

Terminals & Splices > PCB Terminals



PCB Terminal Type: **Receptacle**

Mating Pin Diameter: **1.47 mm [ .058 in ]**

Compatible Insulation Diameter (Max): **2.79 mm [ .11 in ]**

Compatible Insulation Diameter Range: **1.02 – 2.79 mm [ .04 – .11 in ]**

Wire Size: **26 – 20 AWG**

**Features**

**Product Type Features**

Terminal Features	Stud Hole
-------------------	-----------

**Contact Features**

Contact Mating Area Plating Material Thickness	2.03 – 5.08 μm[80 – 200 μin]
PCB Terminal Type	Receptacle
Mating Pin Diameter	1.47 mm[.058 in]
Terminal Plating Material	Tin
Contact Underplating Material	Copper
Terminal Size	Miniature
Terminal Orientation	Straight

**Termination Features**

Termination Method to Printed Circuit Board	Through Hole - Solder
Product Terminates To	Wire & Cable

**Mechanical Attachment**

Wire Insulation Support	With
-------------------------	------

### Dimensions

Terminal Material Thickness	.25 mm[.01 in]
Compatible Insulation Diameter (Max)	2.79 mm[.11 in]
Compatible Insulation Diameter Range	1.02 – 2.79 mm[.04 – .11 in]
Wire Size	.12 – .5 mm <sup>2</sup>

### Usage Conditions

Insulation Option	Uninsulated
Operating Temperature Range	-55 – 105 °C[-67 – 221 °F]

### Packaging Features

Packaging Quantity	10000
Packaging Method	Reel

### Other

Terminals & Splices Comment	Machine applied applicator required., Receptacle has an overlap insulation crimp.
-----------------------------	--

### Product Compliance

[For compliance documentation, visit the product page on TE.com>](#)

EU RoHS Directive 2011/65/EU	Compliant
EU ELV Directive 2000/53/EC	Compliant
China RoHS 2 Directive MIIT Order No 32, 2016	No Restricted Materials Above Threshold
EU REACH Regulation (EC) No. 1907/2006	Current ECHA Candidate List: JUNE 2023 (235) Candidate List Declared Against: JUNE 2023 (235) Does not contain REACH SVHC
Halogen Content	Low Halogen - Br, Cl, F, I < 900 ppm per homogenous material. Also BFR/CFR/PVC Free
Solder Process Capability	Not applicable for solder process capability

#### Product Compliance Disclaimer

This information is provided based on reasonable inquiry of our suppliers and represents our current actual knowledge based on the information they provided. This information is subject to change. The part numbers that TE has identified as EU RoHS compliant have a maximum concentration of 0.1% by weight in homogenous materials for lead, hexavalent chromium, mercury, PBB, PBDE, DBP, BBP, DEHP, DIBP, and 0.01% for cadmium, or qualify for an exemption to these limits as defined in the Annexes of Directive 2011/65/EU (RoHS2). Finished electrical and electronic equipment products will be CE marked as required by Directive 2011/65/EU. Components may not be CE marked. Additionally, the part numbers that TE has identified as EU ELV compliant have a maximum concentration of 0.1% by weight in homogenous materials for lead, hexavalent chromium, and mercury, and 0.01% for cadmium, or qualify for an exemption to these limits

as defined in the Annexes of Directive 2000/53/EC (ELV). Regarding the REACH Regulation, the information TE provides on SVHC in articles for this part number is based on the latest European Chemicals Agency (ECHA) 'Guidance on requirements for substances in articles' posted at this URL: <https://echa.europa.eu/guidance-documents/guidance-on-reach>

## Compatible Parts



TE Part # 2-2837656-1  
OCEAN-2.0-APPLICATOR-S-055F1200



TE Part # 2-2837656-2  
OCEAN-2.0-APPLICATOR-S-055F1200



TE Part # 2837656-1  
OCEAN-2.0-APPLICATOR-S-055F1200



TE Part # 2837656-2  
OCEAN-2.0-APPLICATOR-S-055F1200



TE Part # 7-2837656-1  
OCEAN-2.0-APPLICATOR-S-055F1200



TE Part # 7-2837656-2  
OCEAN-2.0-APPLICATOR-S-055F1200



TE Part # 7-2837656-7  
OCEAN\_2.0\_SPARE\_PART\_KIT-055F1200



TE Part # 60940-2  
058 PIN REC 24-20 SN/BECU



TE Part # 61323-2  
058 R/A PIN REC 24-20 TPBECU

## Customers Also Bought



TE Part #770253-3  
UMNL II SOK PTPPHBZ LP 24-18



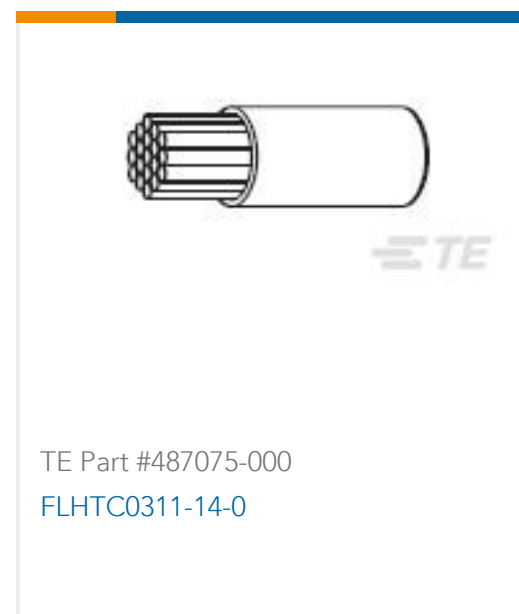
TE Part #160389-3  
250 FASTON,REC.,24-17 AWG,PNST



TE Part #175057-1  
250 PL EX FLAG REC. 18-12AWG PTBR



TE Part #52464  
TERMINAL,PG SPR SPD 16-14 8



## Documents

### Product Drawings

[058 PIN REC 26-20 010TPBECU](#)

English

### CAD Files

[3D PDF](#)

3D

Customer View Model

[ENG\\_CVM\\_CVM\\_350196-1\\_J.2d\\_dxf.zip](#)

English

Customer View Model

[ENG\\_CVM\\_CVM\\_350196-1\\_J.3d\\_igs.zip](#)

English

Customer View Model

[ENG\\_CVM\\_CVM\\_350196-1\\_J.3d\\_stp.zip](#)

English

By downloading the CAD file I accept and agree to the [Terms and Conditions](#) of use.

### Datasheets & Catalog Pages

[PRINTED CIRCUIT BOARD TERMINALS AND DISCONNECTS](#)

English

### Product Specifications

[Application Specification](#)

English

### Product Environmental Compliance

[Product Compliance](#)



English

[Product Compliance](#)

English