



AMP-IN

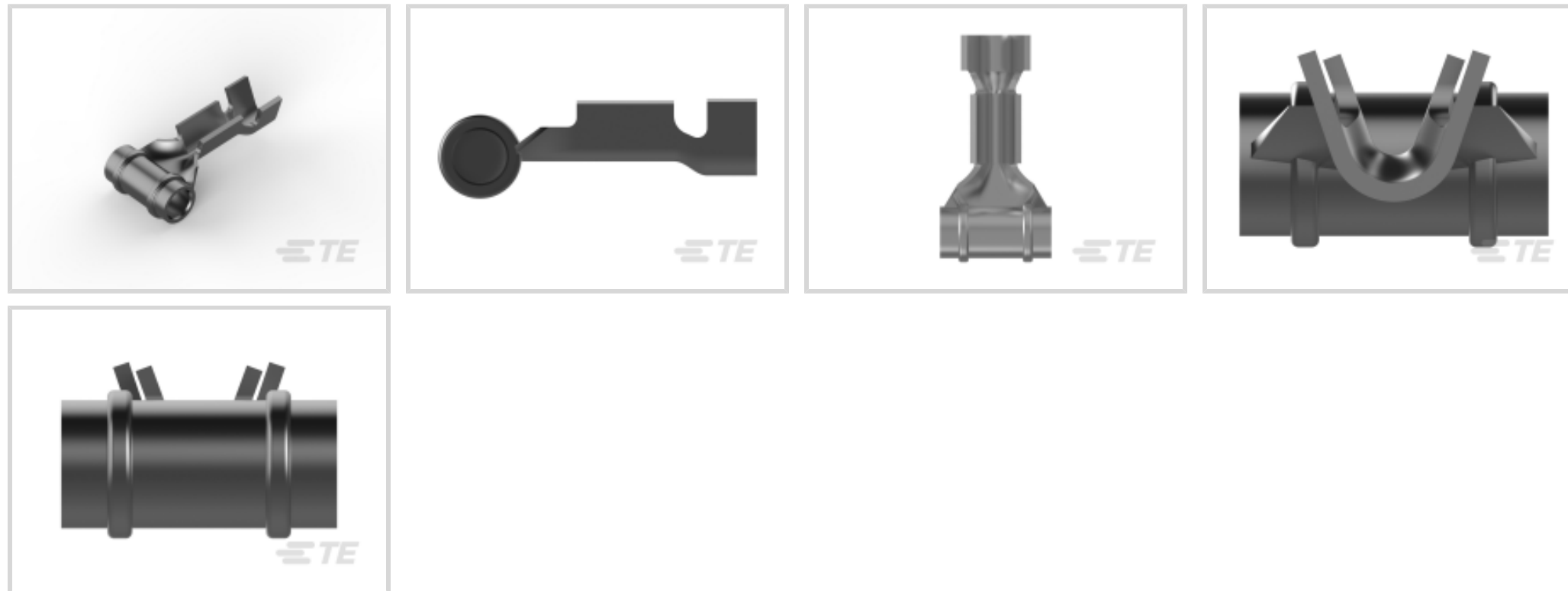
TE Internal #: 350189-1

PCB Terminals, Receptacle, 26 – 22 AWG Wire Size, .12 – .4 mm²

Wire Size, Through Hole - Solder, Pre-Tin Plating, Loose Piece

[View on TE.com >](#)

Terminals & Splices > PCB Terminals



PCB Terminal Type: **Receptacle**

Mating Pin Diameter: **1.47 mm [.058 in]**

Compatible Insulation Diameter (Max): **1.65 mm [.065 in]**

Compatible Insulation Diameter Range: **.89 – 1.65 mm [.035 – .065 in]**

Wire Size: **26 – 22 AWG**

Features

Product Type Features

Terminal Features	Stud Hole
Wire Insulation Support Retention Type	Open Barrel

Contact Features

PCB Terminal Type	Receptacle
Mating Pin Diameter	1.47 mm[.058 in]
Terminal Plating Material	Pre-Tin
Terminal Orientation	Flag

Termination Features

Termination Method to Printed Circuit Board	Through Hole - Solder
Product Terminates To	Wire & Cable

Mechanical Attachment

Wire Insulation Support	With
-------------------------	------

Dimensions

Terminal Material Thickness	.25 mm[.01 in]
-----------------------------	----------------



Compatible Insulation Diameter (Max)	1.65 mm[.065 in]
Compatible Insulation Diameter Range	.89 – 1.65 mm[.035 – .065 in]
Wire Size	.12 – .4 mm ²

Usage Conditions

Insulation Option	Uninsulated
Operating Temperature Range	-55 – 105 °C[-67 – 221 °F]

Packaging Features

Packaging Quantity	1000
Packaging Method	Loose Piece

Product Compliance

[For compliance documentation, visit the product page on TE.com>](#)

EU RoHS Directive 2011/65/EU	Compliant
EU ELV Directive 2000/53/EC	Compliant
China RoHS 2 Directive MIIT Order No 32, 2016	No Restricted Materials Above Threshold
EU REACH Regulation (EC) No. 1907/2006	Current ECHA Candidate List: JUNE 2023 (235) Candidate List Declared Against: JUNE 2023 (235) Does not contain REACH SVHC
Halogen Content	Low Halogen - Br, Cl, F, I < 900 ppm per homogenous material. Also BFR/CFR/PVC Free
Solder Process Capability	Not applicable for solder process capability

Product Compliance Disclaimer

This information is provided based on reasonable inquiry of our suppliers and represents our current actual knowledge based on the information they provided. This information is subject to change. The part numbers that TE has identified as EU RoHS compliant have a maximum concentration of 0.1% by weight in homogenous materials for lead, hexavalent chromium, mercury, PBB, PBDE, DBP, BBP, DEHP, DIBP, and 0.01% for cadmium, or qualify for an exemption to these limits as defined in the Annexes of Directive 2011/65/EU (RoHS2). Finished electrical and electronic equipment products will be CE marked as required by Directive 2011/65/EU. Components may not be CE marked. Additionally, the part numbers that TE has identified as EU ELV compliant have a maximum concentration of 0.1% by weight in homogenous materials for lead, hexavalent chromium, and mercury, and 0.01% for cadmium, or qualify for an exemption to these limits as defined in the Annexes of Directive 2000/53/EC (ELV). Regarding the REACH Regulation, the information TE provides on SVHC in articles for this part number is based on the latest European Chemicals Agency (ECHA) 'Guidance on requirements for substances in articles' posted at this URL: <https://echa.europa.eu/guidance-documents/guidance-on-reach>

Compatible Parts




TE Part # 60888-1
058 PIN REC 26-22 .010TPPHBZ



TE Part # 60888-2
058 PIN REC 26-22 .010GPPHBZ



TE Part # 60983-2
.058 PIN REC PTPPHBZ



TE Part # 61513-1
058 PC PIN REC 26-22 010GPBECU



TE Part # 60983-1
.058 DIA PIN REC .010GPPHBZ



TE Part # 61276-2
.058 DIA RECPT LP 24-20



TE Part # 61513-2
058 PC PIN REC 010TPPHBZ



TE Part # 60804-1
.058 DIA RECPT AU/NI/PHBZ



TE Part # 350189-2
.058 DIA RECPT PC R/A LP 26-22



TE Part # 60888-3
058 PIN REC 26-22 .010TPBECU



TE Part # 60983-3
.058 PIN REC .010GPBECU

Customers Also Bought



TE Part #641215-6
06P MTA100 HDR ASSY FL/ST 30AU



TE Part #5-1393144-7
K10P-11D15-24=K10/K20



TE Part #103308-5
020 LOPRO HDR SP 15DP



TE Part #207490-1
CABLE GRIPPER, SIZE 11



TE Part #1419111-2
20C217=SPRING,HOLD-DOWN,KH,.03



TE Part #61794-1
RING 18-14 AWG TPST



TE Part #42037-1
RING TERMINAL 22-18 AWG TPBR



TE Part #280000-6
250 FASTON,REC.,24-17 AWG,TPBR



Documents

Product Drawings

[.058 DIA RECPT PC R/A LP 26-22](#)

English

CAD Files

[3D PDF](#)

3D

Customer View Model

[ENG_CVM_CVM_350189-1_D_c-350189-1-d.2d_dxf.zip](#)

English

Customer View Model

[ENG_CVM_CVM_350189-1_D_c-350189-1-d.3d_igs.zip](#)

English

Customer View Model

[ENG_CVM_CVM_350189-1_D_c-350189-1-d.3d_stp.zip](#)

English

By downloading the CAD file I accept and agree to the [Terms and Conditions](#) of use.

Datasheets & Catalog Pages

[PRINTED CIRCUIT BOARD TERMINALS AND DISCONNECTS](#)

English

Product Specifications

[Application Specification](#)

English

Instruction Sheets

[Instruction Sheet \(U.S.\)](#)

Japanese

[Instruction Sheet \(U.S.\)](#)

English

[Insertion/Extraction Tool](#)

English