

34852 ✓ ACTIVE

PLASTI-GRIP

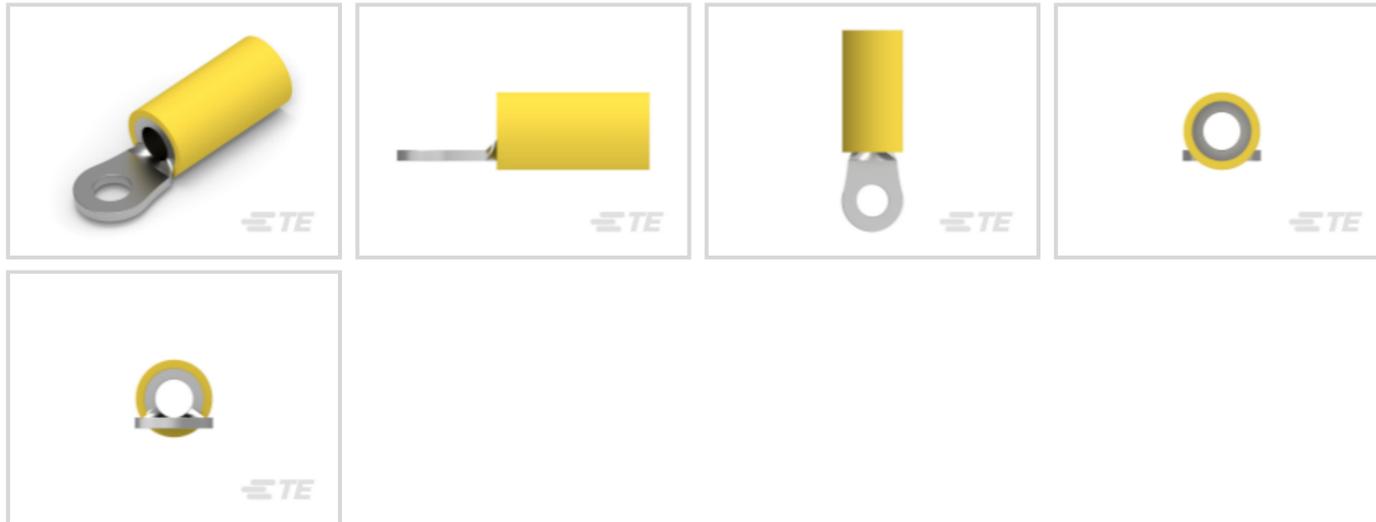
TE Internal #: 34852

Closed Ring Tongue Terminal, 12 – 10 AWG, M3.5 Stud Size, 3.68 mm [.145 in] Stud Diameter, Closed Barrel, Straight, Tin, PLASTI-GRIP

[View on TE.com >](#)



Terminals & Splices > Ring Terminals



Ring Terminal Product Type: Closed Ring Tongue Terminal

Wire Size: 5180 – 13100 CMA

Stud Size: M3.5

Features

Product Type Features

Ring Terminal Product Type	Closed Ring Tongue Terminal
Stud Size	M3.5
Sealable	No
Wire Insulation Support Retention Type	Insulation Support

Configuration Features

Number of Holes	1
-----------------	---

Electrical Characteristics

Voltage Rating	600 V
----------------	-------

Body Features

Product Weight	7.9165 g
----------------	----------

Contact Features

Barrel Type	Closed
Terminal Orientation	Straight
Terminal Plating Material	Tin

Mechanical Attachment



Wire Insulation Support	With
-------------------------	------

Dimensions

Wire Size	5180 – 13100 CMA
Stud Diameter	3.68 mm [.145 in]
Tongue Thickness	1 mm [.042 in]
Product Length	24.21 mm [.95 in]
Compatible Insulation Diameter (Max)	6.35 mm [.25 in]
Compatible Insulation Diameter Range	3.81 – 6.35 mm [.15 – .25 in]

Usage Conditions

Insulation Option	Partially Insulated
Operating Temperature Range	105 °C [221 °F]

Operation/Application

Compatible With Wire Base Material	Copper
Compatible With Wire Plating Material	Tin

Industry Standards

Government Qualified Terminal	No
-------------------------------	----

Packaging Features

Packaging Quantity	500
Packaging Method	Loose Piece

Product Compliance

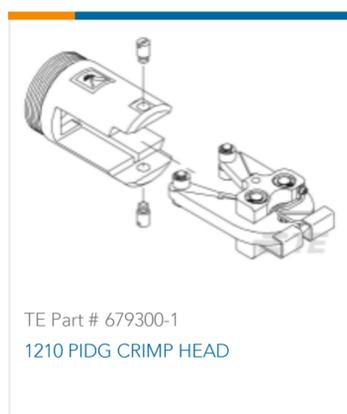
[For compliance documentation, visit the product page on TE.com>](#)

EU RoHS Directive 2011/65/EU	Compliant
EU ELV Directive 2000/53/EC	Compliant
China RoHS 2 Directive MIIT Order No 32, 2016	No Restricted Materials Above Threshold
EU REACH Regulation (EC) No. 1907/2006	Current ECHA Candidate List: JUNE 2023 (235) Candidate List Declared Against: JUNE 2023 (235) Does not contain REACH SVHC
Halogen Content	Not Low Halogen - contains Br or Cl > 900 ppm.
Solder Process Capability	Not applicable for solder process capability

Product Compliance Disclaimer

This information is provided based on reasonable inquiry of our suppliers and represents our current actual knowledge based on the information they provided. This information is subject to change. The part numbers that TE has identified as EU RoHS compliant have a maximum concentration of 0.1% by weight in homogenous materials for lead, hexavalent chromium, mercury, PBB, PBDE, DBP, BBP, DEHP, DIBP, and 0.01% for cadmium, or qualify for an exemption to these limits as defined in the Annexes of Directive 2011/65/EU (RoHS2). Finished electrical and electronic equipment products will be CE marked as required by Directive 2011/65/EU. Components may not be CE marked. Additionally, the part numbers that TE has identified as EU ELV compliant have a maximum concentration of 0.1% by weight in homogenous materials for lead, hexavalent chromium, and mercury, and 0.01% for cadmium, or qualify for an exemption to these limits as defined in the Annexes of Directive 2000/53/EC (ELV). Regarding the REACH Regulation, the information TE provides on SVHC in articles for this part number is based on the latest European Chemicals Agency (ECHA) 'Guidance on requirements for substances in articles' posted at this URL: <https://echa.europa.eu/guidance-documents/guidance-on-reach>

Compatible Parts



Also in the Series | PLASTI-GRIP



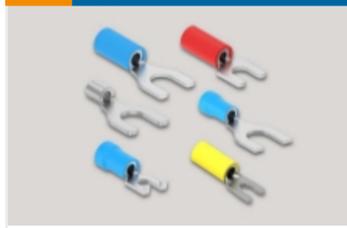
Compression Connectors(3)



Crimp Wire Pins, Tabs & Ferrules(25)



Ring Terminals(333)



Spade Terminals(198)



Splices(50)

Customers Also Bought



TE Part #T4161320005-004
RPC-M12-FS-5CON-PUR-3.0SH



TE Part #8-34856-2
TERMINAL,PG R 12-10 5/16



TE Part #2317658-6
AV25 SPL 3A MOVING RING POWER
WHITE 24V



TE Part #5053002017
RNF-100-1/8-2-STK



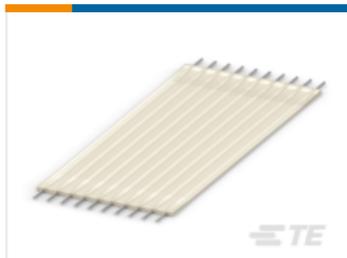
TE Part #350925-1
UMNL SOK 30-26 PTPBR



TE Part #696424-5
TERMINAL,PIDG PVF2 R 12-10 8



TE Part #154721-E
SMCB 80 F AB W 7-03 CL * H007 137
E002



TE Part #7-1474653-9
FST-22A-22



TE Part #1-1892903-9
XLE REC PMT 15P/28S



TE Part #015318810000-M
MD-188-100-0241



Documents

Product Drawings

[TERMINAL,PG R 12-10 6](#)

English

CAD Files

[3D PDF](#)

3D

Customer View Model

[ENG_CVM_CVM_34852_AA.2d_dxf.zip](#)

English

Customer View Model

[ENG_CVM_CVM_34852_AA.3d_igs.zip](#)

English

Customer View Model

[ENG_CVM_CVM_34852_AA.3d_stp.zip](#)

English

Customer View Model

[ENG_CVM_34852_P1.3d_igs.zip](#)

English

Customer View Model

[ENG_CVM_34852_P1.3d_stp.zip](#)

English

Customer View Model

[ENG_CVM_34852_P1.2d_dxf.zip](#)

English

[3D PDF](#)

English

By downloading the CAD file I accept and agree to the [Terms and Conditions](#) of use.

Product Specifications

[Application Specification](#)

English

Product Environmental Compliance

[MD_34852_11162015033_dmtec](#)

English

[MD_34852_11162015033_dmtec](#)

English

Agency Approvals

[UL Report](#)

English

[UL Report](#)

English



[UL Report](#)

English

[UL Report](#)

English