

34821 ✓ ACTIVE

PLASTI-GRIP

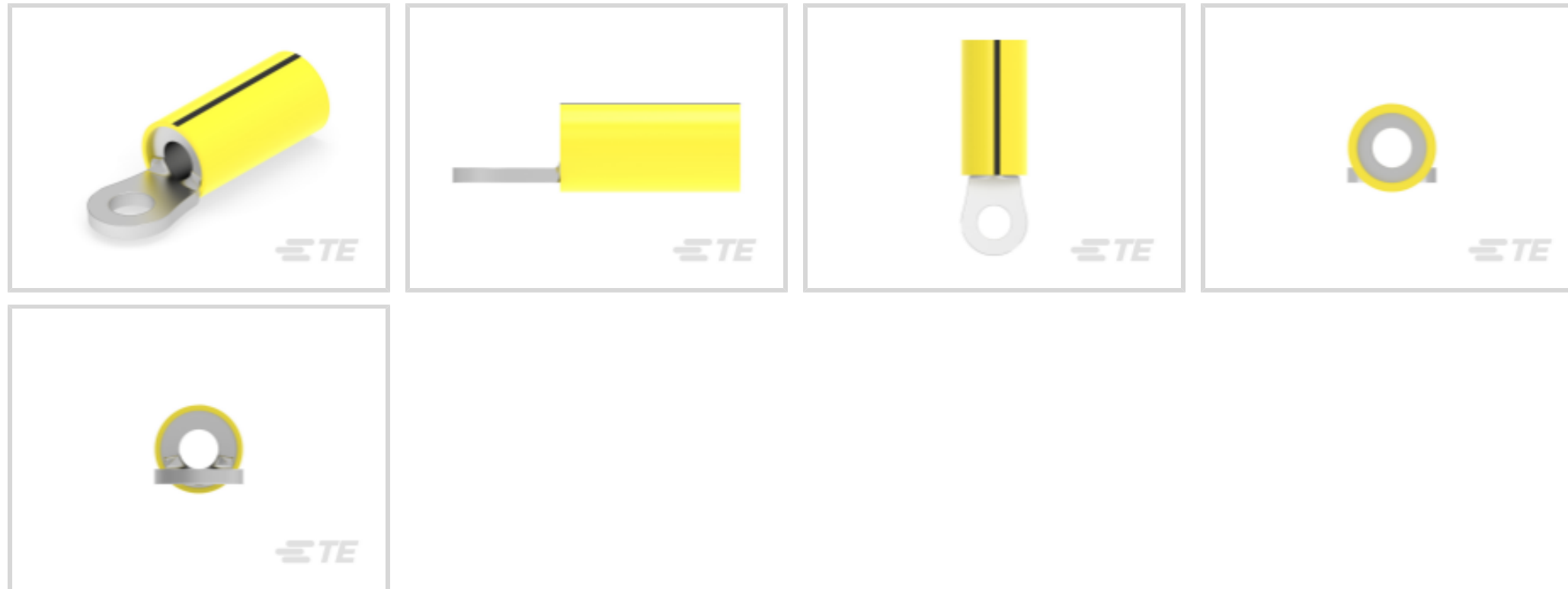
TE Internal #: 34821

Closed Ring Tongue Terminal, 16 – 14 AWG, M3.5 / #6 Stud Size,  
3.68 mm [.145 in] Stud Diameter, Closed Barrel, Straight, Tin,  
PLASTI-GRIP

[View on TE.com >](#)



Terminals & Splices > Ring Terminals



Ring Terminal Product Type: Closed Ring Tongue Terminal

Wire Size: 2050 – 5180 CMA

Stud Size: #6, M3.5

### Features

#### Product Type Features

Terminal Features	Heavy Duty
Ring Terminal Product Type	Closed Ring Tongue Terminal
Stud Size	#6, M3.5
Sealable	No
Wire Insulation Support Retention Type	Insulation Support

#### Configuration Features

Number of Holes	1
-----------------	---

#### Electrical Characteristics

Voltage Rating	600 V
----------------	-------

#### Body Features

Product Weight	.399 g
Stripe Color	Black

#### Contact Features

Barrel Type	Closed
Terminal Orientation	Straight



Terminal Plating Material	Tin
---------------------------	-----

### Mechanical Attachment

Wire Insulation Support	With
-------------------------	------

### Dimensions

Wire Size	2050 – 5180 CMA
-----------	-----------------

Stud Diameter	3.68 mm [.145 in]
---------------	-------------------

Tongue Thickness	1.22 mm [.048 in]
------------------	-------------------

Product Length	24.21 mm [.95 in]
----------------	-------------------

Compatible Insulation Diameter (Max)	5.08 mm [.2 in]
--------------------------------------	-----------------

Compatible Insulation Diameter Range	2.67 – 5.08 mm [.105 – .2 in]
--------------------------------------	-------------------------------

### Usage Conditions

Insulation Option	Partially Insulated
-------------------	---------------------

Operating Temperature Range	105 °C [221 °F]
-----------------------------	-----------------

### Operation/Application

Compatible With Wire Base Material	Copper
------------------------------------	--------

Compatible With Wire Plating Material	Tin
---------------------------------------	-----

### Industry Standards

Government Qualified Terminal	No
-------------------------------	----

### Packaging Features

Packaging Quantity	500
--------------------	-----

Packaging Method	Loose Piece
------------------	-------------

### Other

Terminals & Splices Comment	Heavy Duty for extra mechanical strength
-----------------------------	--

### Product Compliance

[For compliance documentation, visit the product page on TE.com>](#)

EU RoHS Directive 2011/65/EU	Compliant
------------------------------	-----------

EU ELV Directive 2000/53/EC	Compliant
-----------------------------	-----------

China RoHS 2 Directive MIIT Order No 32, 2016	No Restricted Materials Above Threshold
---	---

EU REACH Regulation (EC) No. 1907/2006	Current ECHA Candidate List: JUNE 2023 (235) Candidate List Declared Against: JUNE 2023 (235)
--	--



Does not contain REACH SVHC

Halogen Content

Not Low Halogen - contains Br or Cl > 900 ppm.

Solder Process Capability

Not applicable for solder process capability

Product Compliance Disclaimer

This information is provided based on reasonable inquiry of our suppliers and represents our current actual knowledge based on the information they provided. This information is subject to change. The part numbers that TE has identified as EU RoHS compliant have a maximum concentration of 0.1% by weight in homogenous materials for lead, hexavalent chromium, mercury, PBB, PBDE, DBP, BBP, DEHP, DIBP, and 0.01% for cadmium, or qualify for an exemption to these limits as defined in the Annexes of Directive 2011/65/EU (RoHS2). Finished electrical and electronic equipment products will be CE marked as required by Directive 2011/65/EU. Components may not be CE marked. Additionally, the part numbers that TE has identified as EU ELV compliant have a maximum concentration of 0.1% by weight in homogenous materials for lead, hexavalent chromium, and mercury, and 0.01% for cadmium, or qualify for an exemption to these limits as defined in the Annexes of Directive 2000/53/EC (ELV). Regarding the REACH Regulation, the information TE provides on SVHC in articles for this part number is based on the latest European Chemicals Agency (ECHA) 'Guidance on requirements for substances in articles' posted at this URL: <https://echa.europa.eu/guidance-documents/guidance-on-reach>

### Compatible Parts

TE Part # 59824-1  
TETRA-CRIMP PIDG PG FASTON 22-10 ASSY

TE Part # 59239-4  
HHHT PIDG PG 12-10 ASSY

TE Part # 58423-1  
DIE, RBY IS9252

TE Part # 679300-1  
1210 PIDG CRIMP HEAD

TE Part # 58433-3  
PRO CR ASSY, RBY IS9252

TE Part # 539691-2  
ERGO DIE R.B.Y

TE Part # 47808-6  
DIES PIDG 12-10 DIE SET

TE Part # 169400  
CERTI-LOK FRAME W/O DIES

TE Part # 1SET191001R0000  
CRIMP-HT

TE Part # 1SET191002R0000  
TET CRIMP-HT

TE Part # 169404  
CERTI-LOK DIE

Also in the Series | **PLASTI-GRIP**



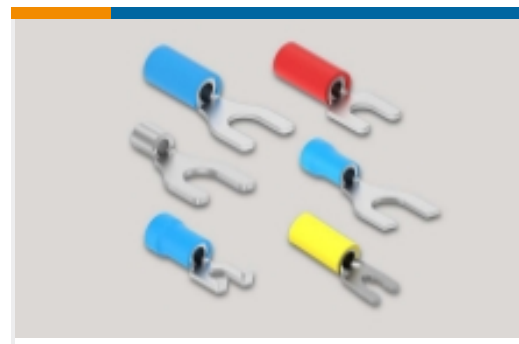
Compression Connectors(3)



Crimp Wire Pins, Tabs & Ferrules(25)



Ring Terminals(333)



Spade Terminals(195)

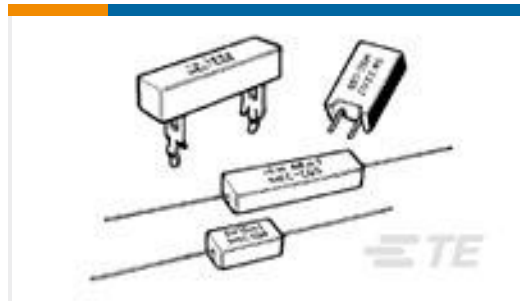


Splices(50)

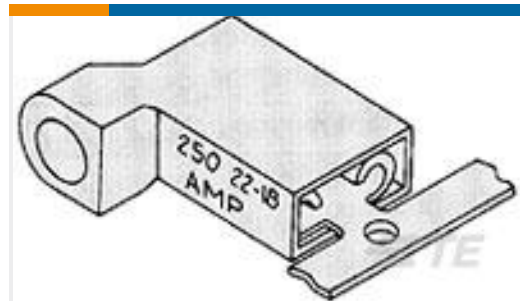
## Customers Also Bought



TE Part #2-36152-1  
PIDG 22-16 22-18 MIL R 6; TAPE



TE Part #1623782-5  
SQM5 1K5 5% (METAL FILM)



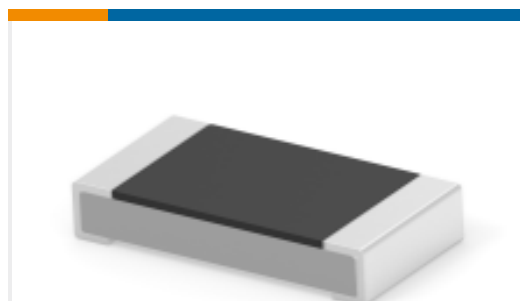
TE Part #2-520337-2  
ULTRA-FAST 187 ASY REC 22-18 TPBR



TE Part #32953  
PG R 22-16 COMM 22-18 MIL 1/4



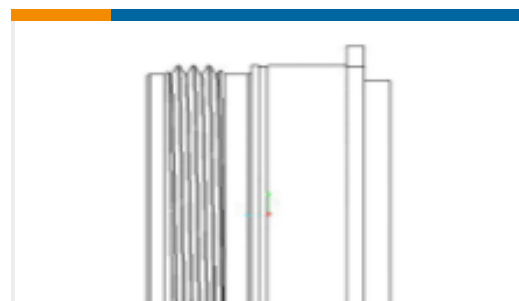
TE Part #2-2176382-7  
RQ 0805 249K 0.1% 10PPM 5K RL



TE Part #5-2176392-9  
RQ 1206 536K 0.1% 10PPM 5K RL



TE Part #5-2176455-3  
CPF 0402 383K 0.1% 25ppm 1K RL



TE Part #DBC30H-8-3PN  
HERM RECP

## Documents

### Product Drawings

[TERMINAL,PG R 16-14HD 6](#)

English

### CAD Files

[3D PDF](#)

[3D](#)

[Customer View Model](#)

[ENG\\_CVM\\_CVM\\_34821\\_L.2d\\_dxf.zip](#)



English

Customer View Model

[ENG\\_CVM\\_CVM\\_34821\\_L.3d\\_igs.zip](#)

English

Customer View Model

[ENG\\_CVM\\_CVM\\_34821\\_L.3d\\_stp.zip](#)

English

By downloading the CAD file I accept and agree to the [Terms and Conditions](#) of use.

---

### Product Specifications

[Application Specification](#)

English

---

### Agency Approvals

[UL Report](#)

English

[UL Report](#)

English

[UL Report](#)

English

[UL Report](#)

English