

34812 ✓ ACTIVE

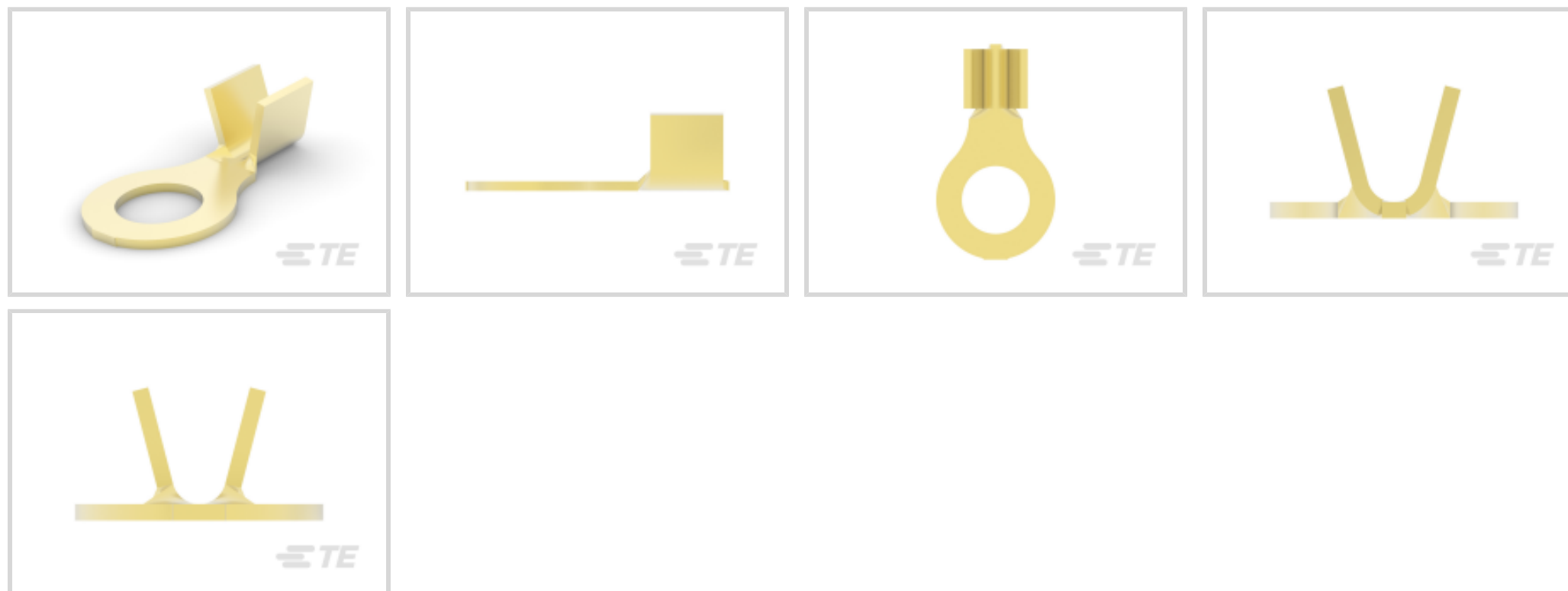
TE Internal #: 34812

Closed Ring Tongue Terminal, 18 – 14 AWG, M4 / #8 Stud Size,
4.34 mm [.171 in] Stud Diameter, Open Barrel, Straight, Unplated,
Uninsulated

[View on TE.com >](#)



Terminals & Splices > Ring Terminals



Ring Terminal Product Type: **Closed Ring Tongue Terminal**

Wire Size: **1624 – 4106 CMA**

Stud Size: **#8, M4**

Features

Product Type Features

Shape Description	Circular/Oval
Ring Terminal Product Type	Closed Ring Tongue Terminal
Stud Size	#8, M4
Sealable	No
Compatible With Discrete Wire Type	Stranded
Wire Insulation Support Retention Type	Non-Insulation Support

Configuration Features

Number of Holes	1
-----------------	---

Body Features

Product Weight	.382 g
----------------	--------

Contact Features

Contact Base Material	Brass
Barrel Type	Open
Terminal Orientation	Straight
Terminal Plating Material	Unplated
Contact Underplating Material	None



Mechanical Attachment

Wire Insulation Support	Without
-------------------------	---------

Dimensions

Wire Size	1624 – 4106 CMA
Stud Diameter	4.34 mm [.171 in]
Tongue Thickness	.51 mm [.02 in]
Product Length	13.46 mm [.53 in]
Barrel Inside Diameter	1.65 mm [.065 in]

Usage Conditions

Insulation Option	Uninsulated
Operating Temperature Range	-40 – 110 °C [-40 – 230 °F]

Operation/Application

Compatible With Wire Base Material	Copper
------------------------------------	--------

Industry Standards

Government Qualified Terminal	No
-------------------------------	----

Packaging Features

Packaging Quantity	20000
Packaging Method	Strip/Reel

Product Compliance

[For compliance documentation, visit the product page on TE.com>](#)

EU RoHS Directive 2011/65/EU	Compliant
EU ELV Directive 2000/53/EC	Compliant
China RoHS 2 Directive MIIT Order No 32, 2016	No Restricted Materials Above Threshold
EU REACH Regulation (EC) No. 1907/2006	Current ECHA Candidate List: JUNE 2023 (235) Candidate List Declared Against: JUNE 2023 (235) Does not contain REACH SVHC
Halogen Content	Low Halogen - Br, Cl, F, I < 900 ppm per homogenous material. Also BFR/CFR/PVC Free
Solder Process Capability	Not applicable for solder process capability

Product Compliance Disclaimer

This information is provided based on reasonable inquiry of our suppliers and represents our current actual knowledge based on the information they provided. This information is subject to change. The part numbers that TE has identified as EU RoHS compliant have a maximum concentration of 0.1% by weight in homogenous materials for lead, hexavalent chromium, mercury, PBB, PBDE, DBP, BBP, DEHP, DIBP, and 0.01% for cadmium, or qualify for an exemption to these limits as defined in the Annexes of Directive 2011/65/EU (RoHS2). Finished electrical and electronic equipment products will be CE marked as required by Directive 2011/65/EU. Components may not be CE marked. Additionally, the part numbers that TE has identified as EU ELV compliant have a maximum concentration of 0.1% by weight in homogenous materials for lead, hexavalent chromium, and mercury, and 0.01% for cadmium, or qualify for an exemption to these limits as defined in the Annexes of Directive 2000/53/EC (ELV). Regarding the REACH Regulation, the information TE provides on SVHC in articles for this part number is based on the latest European Chemicals Agency (ECHA) 'Guidance on requirements for substances in articles' posted at this URL: <https://echa.europa.eu/guidance-documents/guidance-on-reach>

Compatible Parts



Customers Also Bought



TE Part #34161
TERMINAL,PG R 16-14 10



TE Part #794274-1
04P UMNL WIRE SEAL



TE Part #3-350819-2
ULTRA-FAST 250 ASY REC 16-14 AWG
TPBR



TE Part #770066-1
02P .093 COMM P&S RECPT .248CL
TPBR



TE Part #61492-1
SPLICE 2048-5250 .020 BR



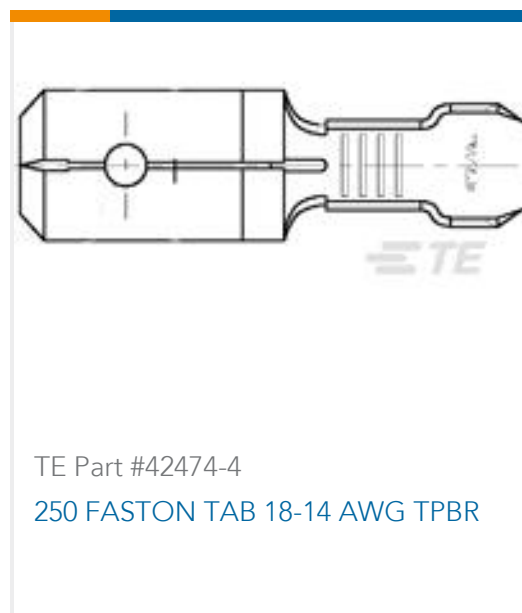
TE Part #40955
RING 20-16 AWG .0295 X .390 TPBR



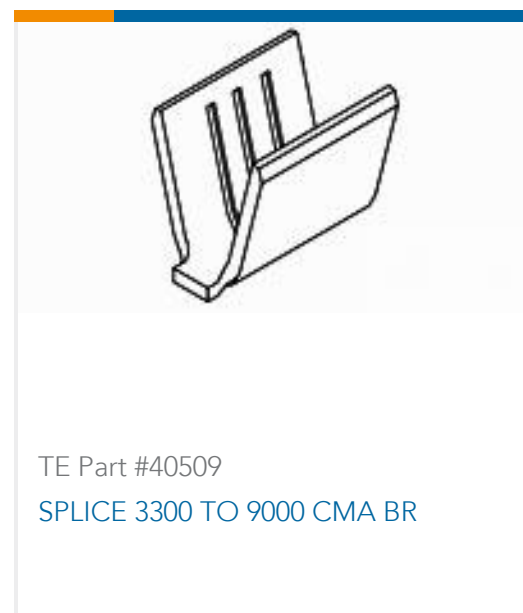
TE Part #350538-1
UMNL PIN 20-14 .0126 PTPBR



TE Part #6-1437652-7
6PCV-04-006=6PCV ASSEMBLY



TE Part #42474-4
250 FASTON TAB 18-14 AWG TPBR



TE Part #40509
SPLICE 3300 TO 9000 CMA BR

Documents

Product Drawings

RING TERMINAL 18-14 AWG BR

English

CAD Files

3D PDF

3D

Customer View Model

[ENG_CVM_CVM_34812_BH_c-34812-bh.2d_dxf.zip](#)

English

Customer View Model

[ENG_CVM_CVM_34812_BH_c-34812-bh.3d_igs.zip](#)

English

Customer View Model

[ENG_CVM_CVM_34812_BH_c-34812-bh.3d_stp.zip](#)

English

By downloading the CAD file I accept and agree to the [Terms and Conditions](#) of use.

Product Specifications

34812

Closed Ring Tongue Terminal, 18 – 14 AWG, M4 / #8 Stud Size, 4.34 mm [.171 in]
Stud Diameter, Open Barrel, Straight, Unplated, Uninsulated



Application Specification

English