

344261-1 ✓ ACTIVE

Econoseal

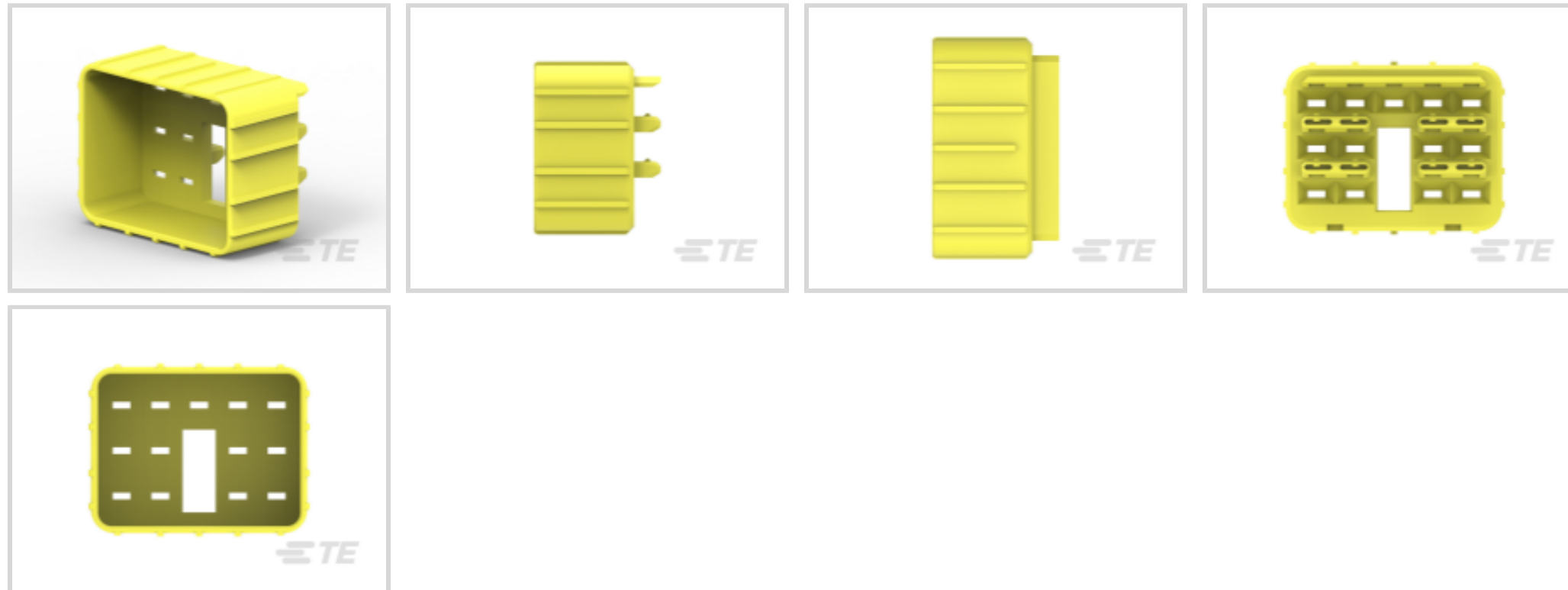
TE Internal #: 344261-1

Housing for Male Terminals, Wire-to-Board / Wire-to-Wire, 13 Position, .188 in [4.8 mm] Centerline, Sealable, Yellow, Wire & Cable, Signal, Econoseal

[View on TE.com >](#)



Connectors > Automotive Connectors > Automotive Housings > ECONOSEAL, CONNECTOR HOUSING



Connector System: **Wire-to-Board, Wire-to-Wire**

Number of Positions: **13**

Connector & Housing Type: **Housing for Male Terminals**

Centerline (Pitch): **4.8 mm [.188 in]**

Sealable: **Yes**

[All ECONOSEAL, CONNECTOR HOUSING \(108\)](#)

Features

Product Type Features

Mixed & Hybrid Connector	No
Connector Shape	Rectangular
Connector System	Wire-to-Board, Wire-to-Wire
Connector & Housing Type	Housing for Male Terminals
Sealable	Yes
Connector & Contact Terminates To	Wire & Cable
Primary Locking Feature	On the Terminal

Configuration Features

Number of Positions	13
Number of Rows	3

Electrical Characteristics

Nominal Voltage Architecture	12 V
------------------------------	------



Body Features

Cable Exit Angle	180°
Primary Product Color	Yellow
Connector & Keying Code	Neutral

Contact Features

Contact Size	1.8mm
Contact Type	Tab
Contact Current Rating (Max)	10 A

Mechanical Attachment

Terminal Position Assurance	No
Strain Relief	Without
Mating Alignment Type	Polarized
Mating Alignment	With
Connector Mounting Type	Cable Mount (Free-Hanging)

Housing Features

Housing Material	PA
Centerline (Pitch)	4.8 mm [.188 in]

Dimensions

Connector Height	21.2 mm [.834 in]
Product Width	12.4 mm [.488 in]
Product Length	27.35 mm [1.07 in]
Row-to-Row Spacing	5.6 mm [.22 in]

Usage Conditions

Operating Temperature (Max)	105 °C [221 °F]
Operating Temperature Range	-30 – 105 °C [-22 – 221 °F]

Operation/Application

Circuit Application	Signal
---------------------	--------

Packaging Features

Packaging Quantity	500
Packaging Method	Box

Other

Serviceable	No
-------------	----



Connector Position Assurance Capable No

Product Compliance

[For compliance documentation, visit the product page on TE.com>](#)

EU RoHS Directive 2011/65/EU	Compliant
EU ELV Directive 2000/53/EC	Compliant
China RoHS 2 Directive MIIT Order No 32, 2016	No Restricted Materials Above Threshold
EU REACH Regulation (EC) No. 1907/2006	Current ECHA Candidate List: JUNE 2023 (235) Candidate List Declared Against: JUL 2021 (219) Does not contain REACH SVHC
Halogen Content	Not Low Halogen - contains Br or Cl > 900 ppm.
Solder Process Capability	Not applicable for solder process capability

Product Compliance Disclaimer

This information is provided based on reasonable inquiry of our suppliers and represents our current actual knowledge based on the information they provided. This information is subject to change. The part numbers that TE has identified as EU RoHS compliant have a maximum concentration of 0.1% by weight in homogenous materials for lead, hexavalent chromium, mercury, PBB, PBDE, DBP, BBP, DEHP, DIBP, and 0.01% for cadmium, or qualify for an exemption to these limits as defined in the Annexes of Directive 2011/65/EU (RoHS2). Finished electrical and electronic equipment products will be CE marked as required by Directive 2011/65/EU. Components may not be CE marked. Additionally, the part numbers that TE has identified as EU ELV compliant have a maximum concentration of 0.1% by weight in homogenous materials for lead, hexavalent chromium, and mercury, and 0.01% for cadmium, or qualify for an exemption to these limits as defined in the Annexes of Directive 2000/53/EC (ELV). Regarding the REACH Regulation, the information TE provides on SVHC in articles for this part number is based on the latest European Chemicals Agency (ECHA) 'Guidance on requirements for substances in articles' posted at this URL: <https://echa.europa.eu/guidance-documents/guidance-on-reach>

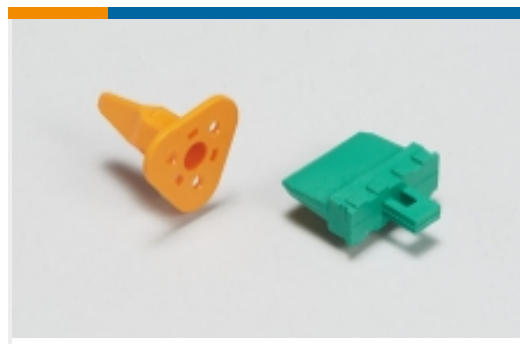
Compatible Parts



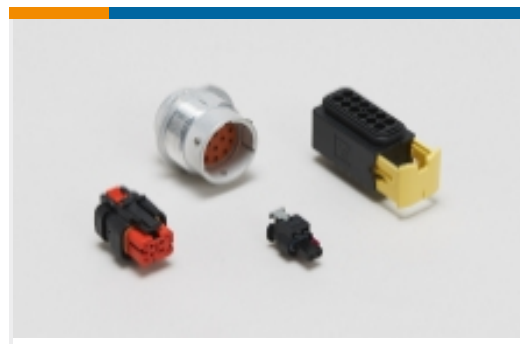
Also in the Series | [Econoseal](#)



Automotive Connector Caps & Covers (1)



Automotive Connector Locks & Position Assurance(25)



Automotive Housings(105)



Automotive Terminals(48)



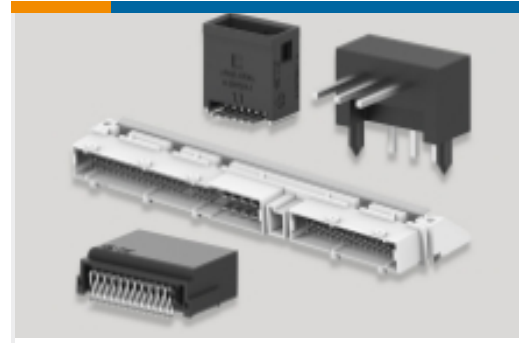
Connector Seals & Cavity Plugs(19)



Insertion & Extraction Tools(7)



Other Automotive Connector Accessories(5)



PCB Headers & Receptacles(4)

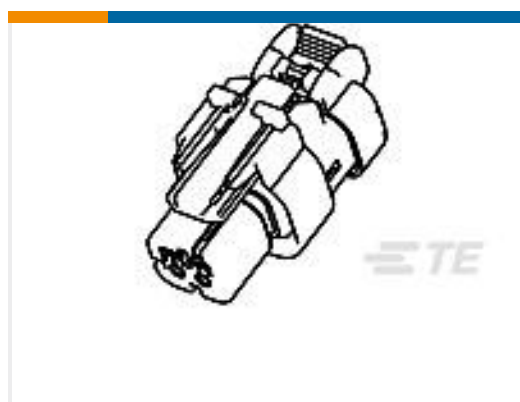


Primary Wire(1)

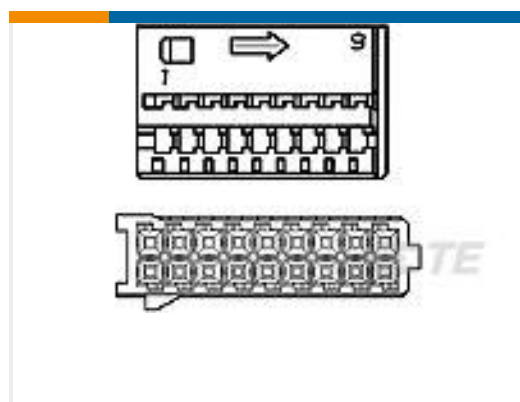
Customers Also Bought



TE Part #DT04-3P-EE01
DEUTSCH DT Receptacle Connectors



TE Part #776427-2
AS 16, 2P PLUG ASSY, KEY 2



TE Part #1355348-1
18POS MQS REC



TE Part #2-1622825-5
RL73K 3A R68 5% 1K REEL



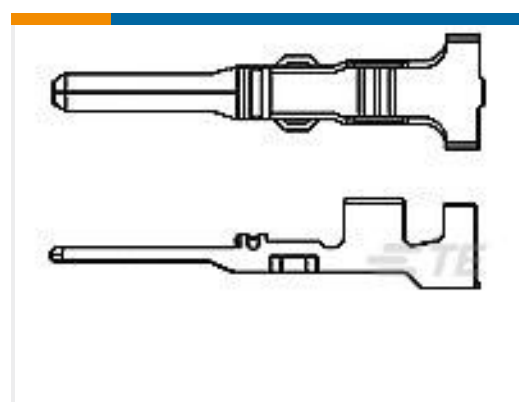
TE Part #3-2176055-5
RLP73K 2B R27 1% 1K RL



TE Part #1586359-6
06P MINIUMNL GANG WIRE SEAL DR



TE Part #6473427-1
SUPER SEAL 60POS CAP ASSY H AU



TE Part #345809-1
.070" TAB ECONOSEAL 3



Documents

Product Drawings

13 WAY TAB ANTI-BACKOUT

English

CAD Files

Customer View Model

[ENG_CVM_344261-1_C.3d_igs.zip](#)

English

Customer View Model

[ENG_CVM_344261-1_C.3d_stp.zip](#)

English

Customer View Model

[ENG_CVM_344261-1_C.2d_dxf.zip](#)

English

3D PDF

English

By downloading the CAD file I accept and agree to the [Terms and Conditions](#) of use.

Datasheets & Catalog Pages

Econoseal Connector Series

English