

34321 ✓ ACTIVE

SOLISTRAND

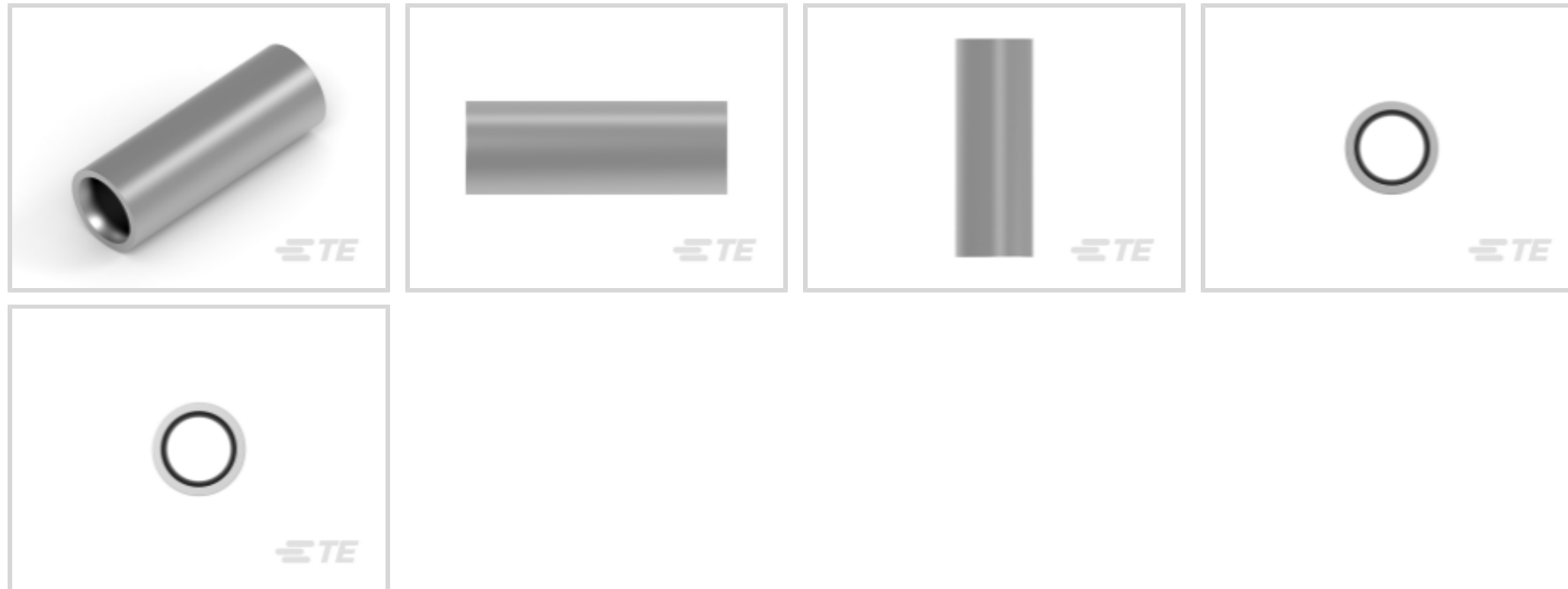
TE Internal #: 34321

Splices, Butt Splice, 8 AWG Wire Size, 8 mm<sup>2</sup> Wire Size, Standard, .172 in [4.37 mm] Barrel Inside Diameter, 13100 – 20800 CMA Wire Size, Copper

[View on TE.com >](#)



Terminals & Splices > Splices



Wire Size: 8 mm<sup>2</sup>

Sealable: No

Splice Features: **Standard**

Barrel Inside Diameter: 4.37 mm [.172 in]

### Features

#### Product Type Features

Splice Accessory Type	Splice
Sealable	No
Splice Type	Butt Splice
Compatible With Discrete Wire Type	Solid, Stranded
Wire Insulation Support Retention Type	Non-Insulation Support

#### Configuration Features

Compatible With Wire & Cable Type	Discrete Wire
-----------------------------------	---------------

#### Body Features

Product Weight	4.142 g
Splice Features	Standard

#### Contact Features

	100 μin
Terminal Plating Material	Tin
Contact Base Material	Copper



Barrel Type	Closed
-------------	--------

### Mechanical Attachment

Wire Insulation Support	Without
-------------------------	---------

### Dimensions

Outside Diameter	7.52 mm[.296 in]
Wire Size	13100 – 20800 CMA
Barrel Inside Diameter	4.37 mm[.172 in]
Terminal Material Thickness	1.3 mm[.051 in]
Product Length	21.01 mm[.827 in]

### Usage Conditions

Insulation Option	Uninsulated
Operating Temperature Range	170 °C[338 °F]

### Operation/Application

Compatible With Wire Base Material	Copper
------------------------------------	--------

### Industry Standards

Government Qualified Splice	No
-----------------------------	----

### Packaging Features

Packaging Quantity	100
Packaging Method	Loose Piece

### Product Compliance

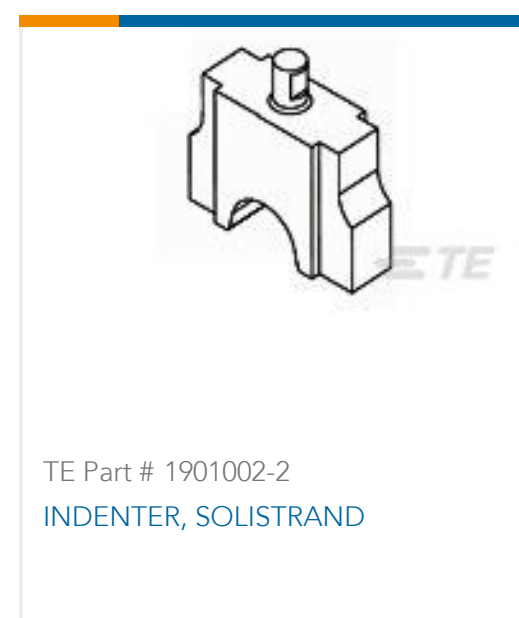
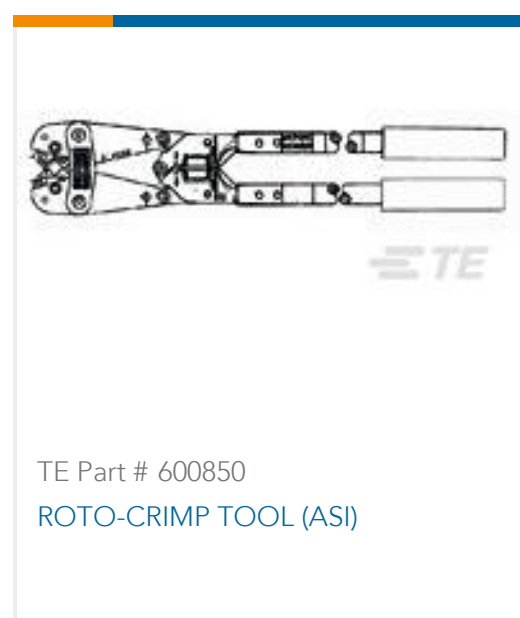
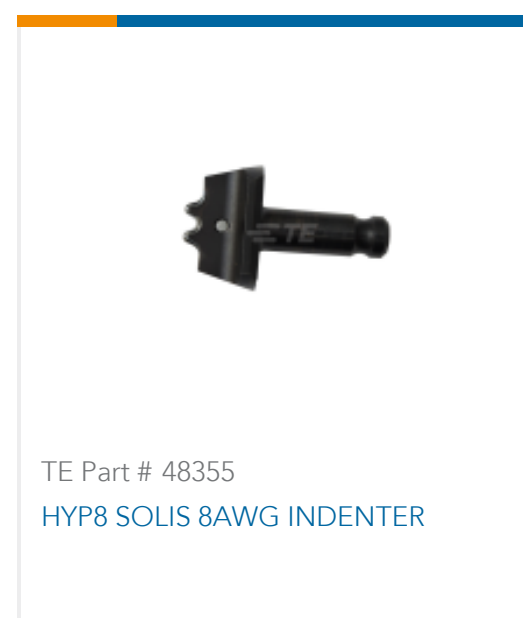
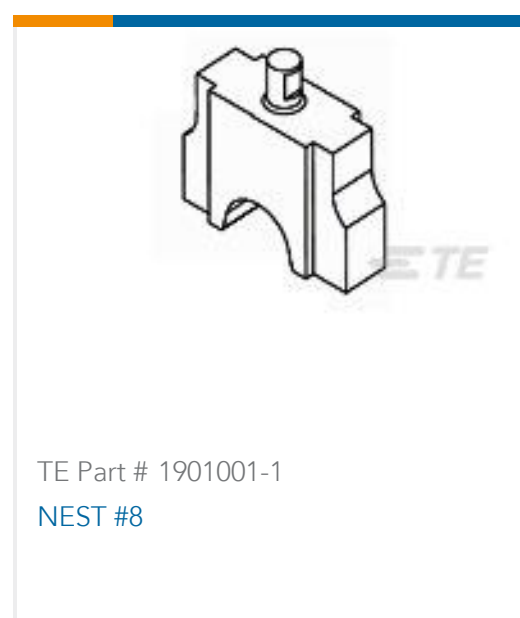
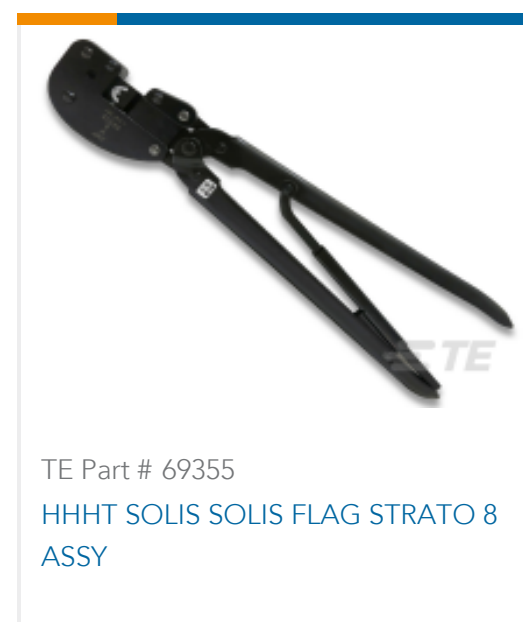
[For compliance documentation, visit the product page on TE.com>](#)

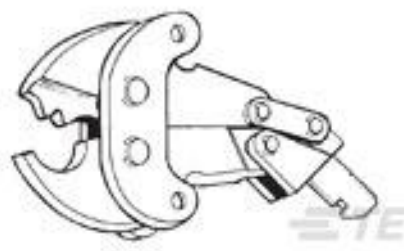
EU RoHS Directive 2011/65/EU	Compliant
EU ELV Directive 2000/53/EC	Compliant
China RoHS 2 Directive MIIT Order No 32, 2016	No Restricted Materials Above Threshold
EU REACH Regulation (EC) No. 1907/2006	Current ECHA Candidate List: JUNE 2023 (235) Candidate List Declared Against: JUNE 2023 (235) Does not contain REACH SVHC
Halogen Content	Low Halogen - Br, Cl, F, I < 900 ppm per homogenous material. Also BFR/CFR/PVC Free
Solder Process Capability	Not applicable for solder process capability

## Product Compliance Disclaimer

This information is provided based on reasonable inquiry of our suppliers and represents our current actual knowledge based on the information they provided. This information is subject to change. The part numbers that TE has identified as EU RoHS compliant have a maximum concentration of 0.1% by weight in homogenous materials for lead, hexavalent chromium, mercury, PBB, PBDE, DBP, BBP, DEHP, DIBP, and 0.01% for cadmium, or qualify for an exemption to these limits as defined in the Annexes of Directive 2011/65/EU (RoHS2). Finished electrical and electronic equipment products will be CE marked as required by Directive 2011/65/EU. Components may not be CE marked. Additionally, the part numbers that TE has identified as EU ELV compliant have a maximum concentration of 0.1% by weight in homogenous materials for lead, hexavalent chromium, and mercury, and 0.01% for cadmium, or qualify for an exemption to these limits as defined in the Annexes of Directive 2000/53/EC (ELV). Regarding the REACH Regulation, the information TE provides on SVHC in articles for this part number is based on the latest European Chemicals Agency (ECHA) 'Guidance on requirements for substances in articles' posted at this URL: <https://echa.europa.eu/guidance-documents/guidance-on-reach>

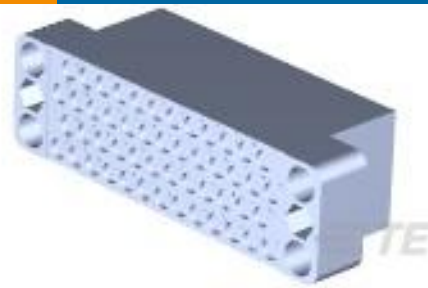
## Compatible Parts





TE Part # 49956  
PNEUMATIC SOLIS STRATO 8 HEAD

## Customers Also Bought



TE Part #200277-4  
BLOCK,50 POSN,M SERIES



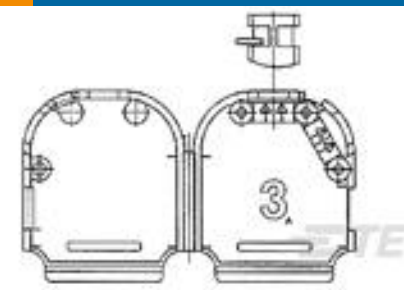
TE Part #212007-1  
CONTACT PIN ASSY, SZ 8



TE Part #766667-1  
Wave Crimp, Flat to Round 8 AWG  
Cbl Assy



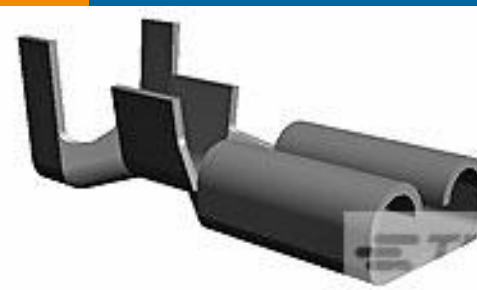
TE Part #NB14724001  
VERSAFIT-5/8-0-FSP



TE Part #5749915-2  
AMPLI CABLE CLAMP KIT,SZ 2



TE Part #ZPF000000000010301  
9DMC-AB 40 P 02



TE Part #170038-4  
187 FASTON,REC.,20-16 AWG,TPPB



TE Part #4-1423159-7  
7012RHC696=RLY,STD,ON,2P,60VD

TE Part #59131  
HEAVY DUTY HT, SOLIS #4

## Documents

### Product Drawings

[SPLICE,SOLIS BUTT 8](#)

English

### CAD Files

[3D PDF](#)

[3D](#)

[Customer View Model](#)

[ENG\\_CVM\\_CVM\\_34321\\_G.2d\\_dxf.zip](#)



English

**Customer View Model**

[ENG\\_CVM\\_CVM\\_34321\\_G.3d\\_igs.zip](#)

English

**Customer View Model**

[ENG\\_CVM\\_CVM\\_34321\\_G.3d\\_stp.zip](#)

English

**3D PDF**

English

**Customer View Model**

[ENG\\_CVM\\_34321\\_C1.2d\\_dxf.zip](#)

English

**Customer View Model**

[ENG\\_CVM\\_34321\\_C1.3d\\_igs.zip](#)

English

**Customer View Model**

[ENG\\_CVM\\_34321\\_C1.3d\\_stp.zip](#)

English

By downloading the CAD file I accept and agree to the [Terms and Conditions](#) of use.

---

### Datasheets & Catalog Pages

[SOLISTRAND - QRG](#)

English

---

### Product Environmental Compliance

[Product Compliance Document](#)

English

[Product Compliance Document](#)

English

---

### Agency Approvals

[UL Report](#)

English

[UL Report](#)

English

[UL Report](#)

English