



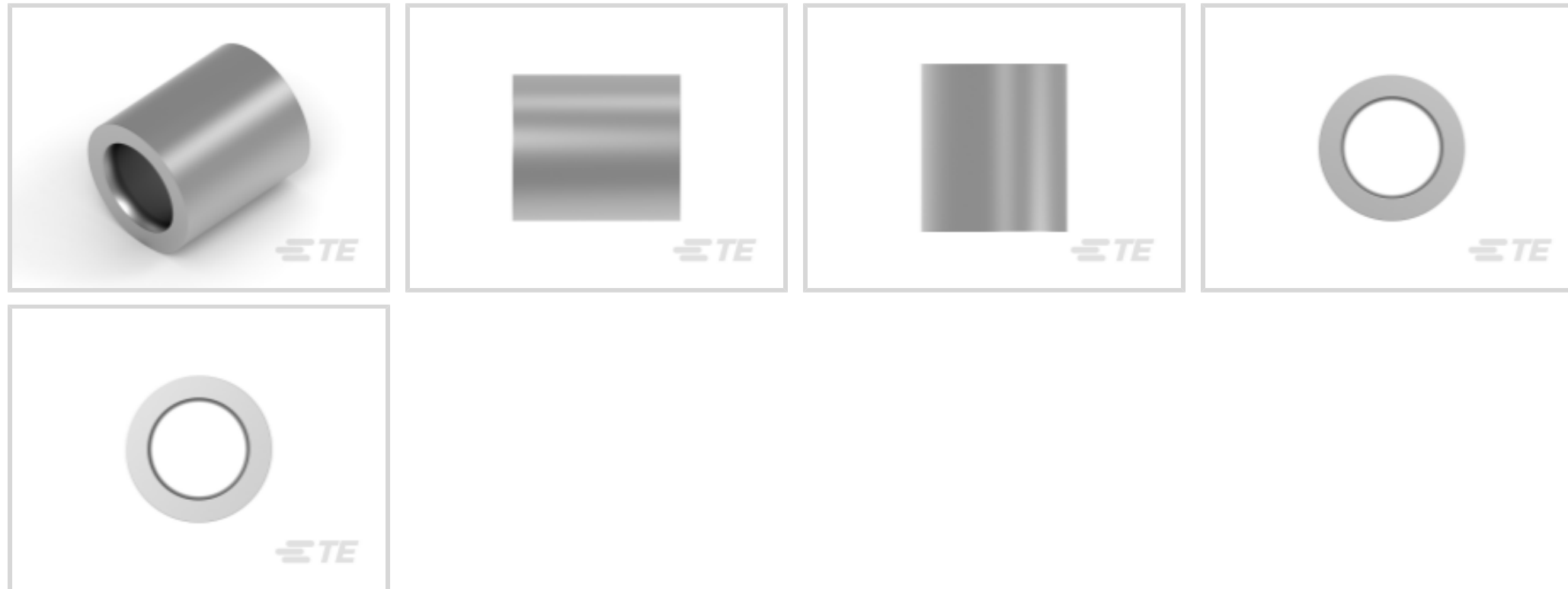
SOLISTRAND

TE Internal #: 34320

Splices, Parallel Splice, 4 AWG Wire Size, 21 mm<sup>2</sup> Wire Size, Serrated, .296 in [7.52 mm] Barrel Inside Diameter, 33100 – 52600 CMA Wire Size, Copper

[View on TE.com >](#)

Terminals & Splices > Splices



Wire Size: 21 mm<sup>2</sup>

Sealable: No

Splice Features: **Serrated**

Barrel Inside Diameter: 7.52 mm [ .296 in ]

**Features**

**Product Type Features**

Splice Accessory Type	Splice
Sealable	No
Splice Type	Parallel Splice
Compatible With Discrete Wire Type	Solid, Stranded
Wire Insulation Support Retention Type	Non-Insulation Support

**Configuration Features**

Compatible With Wire & Cable Type	Discrete Wire
-----------------------------------	---------------

**Body Features**

Splice Features	Serrated
-----------------	----------

**Contact Features**

	100 μin
Terminal Plating Material	Tin
Contact Base Material	Copper
Barrel Type	Closed



### Mechanical Attachment

Wire Insulation Support	Without
-------------------------	---------

### Dimensions

Outside Diameter	11.76 mm[.463 in]
Wire Size	33100 – 52600 CMA
Barrel Inside Diameter	7.52 mm[.296 in]
Terminal Material Thickness	1.85 mm[.073 in]
Product Length	13.49 mm[.531 in]

### Usage Conditions

Insulation Option	Uninsulated
Operating Temperature Range	170 °C[338 °F]

### Operation/Application

Compatible With Wire Base Material	Copper
------------------------------------	--------

### Industry Standards

Government Qualified Splice	No
-----------------------------	----

### Packaging Features

Packaging Method	Loose Piece
------------------	-------------

### Product Compliance

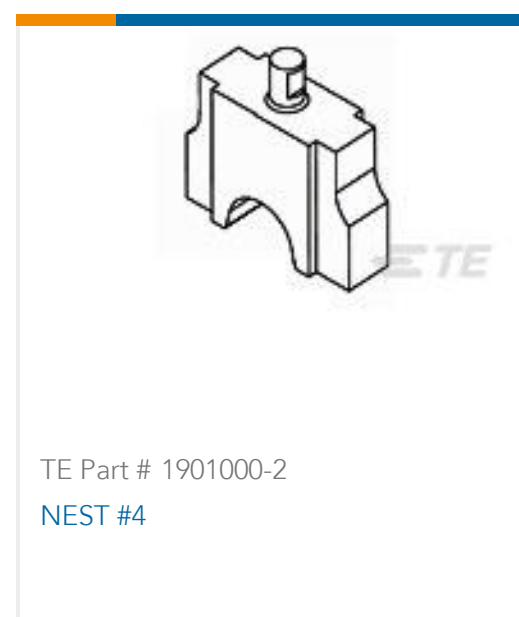
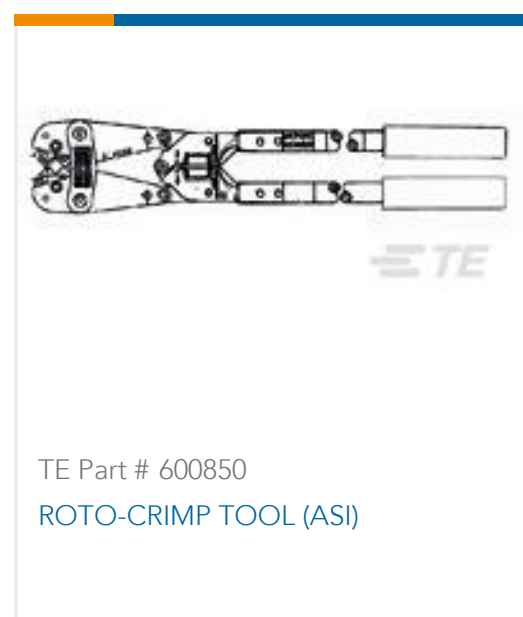
[For compliance documentation, visit the product page on TE.com>](#)

EU RoHS Directive 2011/65/EU	Compliant
EU ELV Directive 2000/53/EC	Compliant
China RoHS 2 Directive MIIT Order No 32, 2016	No Restricted Materials Above Threshold
EU REACH Regulation (EC) No. 1907/2006	Current ECHA Candidate List: JUNE 2023 (235) Candidate List Declared Against: JUNE 2023 (235) Does not contain REACH SVHC
Halogen Content	Low Halogen - Br, Cl, F, I < 900 ppm per homogenous material. Also BFR/CFR/PVC Free
Solder Process Capability	Not applicable for solder process capability

Product Compliance Disclaimer

This information is provided based on reasonable inquiry of our suppliers and represents our current actual knowledge based on the information they provided. This information is subject to change. The part numbers that TE has identified as EU RoHS compliant have a maximum concentration of 0.1% by weight in homogenous materials for lead, hexavalent chromium, mercury, PBB, PBDE, DBP, BBP, DEHP, DIBP, and 0.01% for cadmium, or qualify for an exemption to these limits as defined in the Annexes of Directive 2011/65/EU (RoHS2). Finished electrical and electronic equipment products will be CE marked as required by Directive 2011/65/EU. Components may not be CE marked. Additionally, the part numbers that TE has identified as EU ELV compliant have a maximum concentration of 0.1% by weight in homogenous materials for lead, hexavalent chromium, and mercury, and 0.01% for cadmium, or qualify for an exemption to these limits as defined in the Annexes of Directive 2000/53/EC (ELV). Regarding the REACH Regulation, the information TE provides on SVHC in articles for this part number is based on the latest European Chemicals Agency (ECHA) 'Guidance on requirements for substances in articles' posted at this URL: <https://echa.europa.eu/guidance-documents/guidance-on-reach>

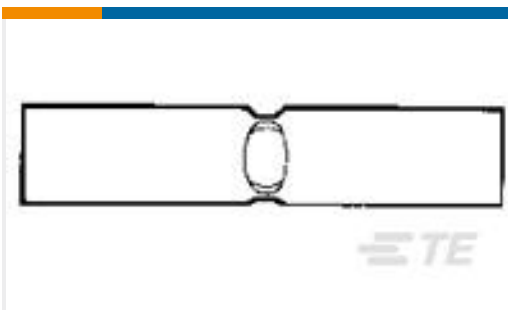
## Compatible Parts



## Customers Also Bought



TE Part #CB5025-000  
BSTS-11X25-CL/NM



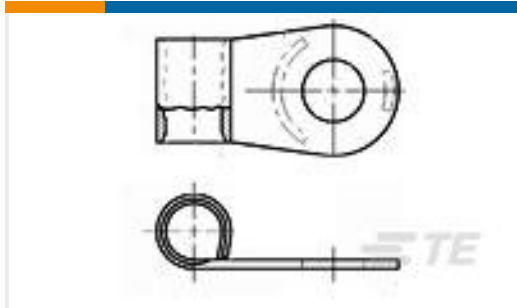
TE Part #36957  
SPLICE,SOLIS BUTT 1/0



TE Part #63010-2  
250 FASTON FLAG REC 18-14 AWG  
TPBR



TE Part #1418917-1  
MULTI CORE CABLE ADAPTER 180  
DEGREE



TE Part #321060  
TERMINAL,SOLIS FLAG R 4 5/16



TE Part #59909-7  
HYP8 7FT HOSE



TE Part #3-1415545-7  
PT530T30



TE Part #1-2213504-1  
ASSEMBLY, 2 POSITION, BLACK,  
WITH POS

## Documents

### Product Drawings

#### SPLICE,SOLIS PARA 4

English

### CAD Files

#### Customer View Model

[ENG\\_CVM\\_CVM\\_34320\\_R.2d\\_dxf.zip](#)

English

#### 3D PDF

3D

#### Customer View Model

[ENG\\_CVM\\_CVM\\_34320\\_R.3d\\_igs.zip](#)

English

#### Customer View Model

[ENG\\_CVM\\_CVM\\_34320\\_R.3d\\_stp.zip](#)

English

By downloading the CAD file I accept and agree to the [Terms and Conditions](#) of use.

### Datasheets & Catalog Pages

#### SOLISTRAND - QRG

English

### Product Environmental Compliance

#### Product Compliance Document

English

#### Product Compliance Document

English



**Agency Approvals**

**UL Report**

English

**UL Report**

English

**UL Report**

English