

342145-1 ✓ ACTIVE

PLASTI-GRIP

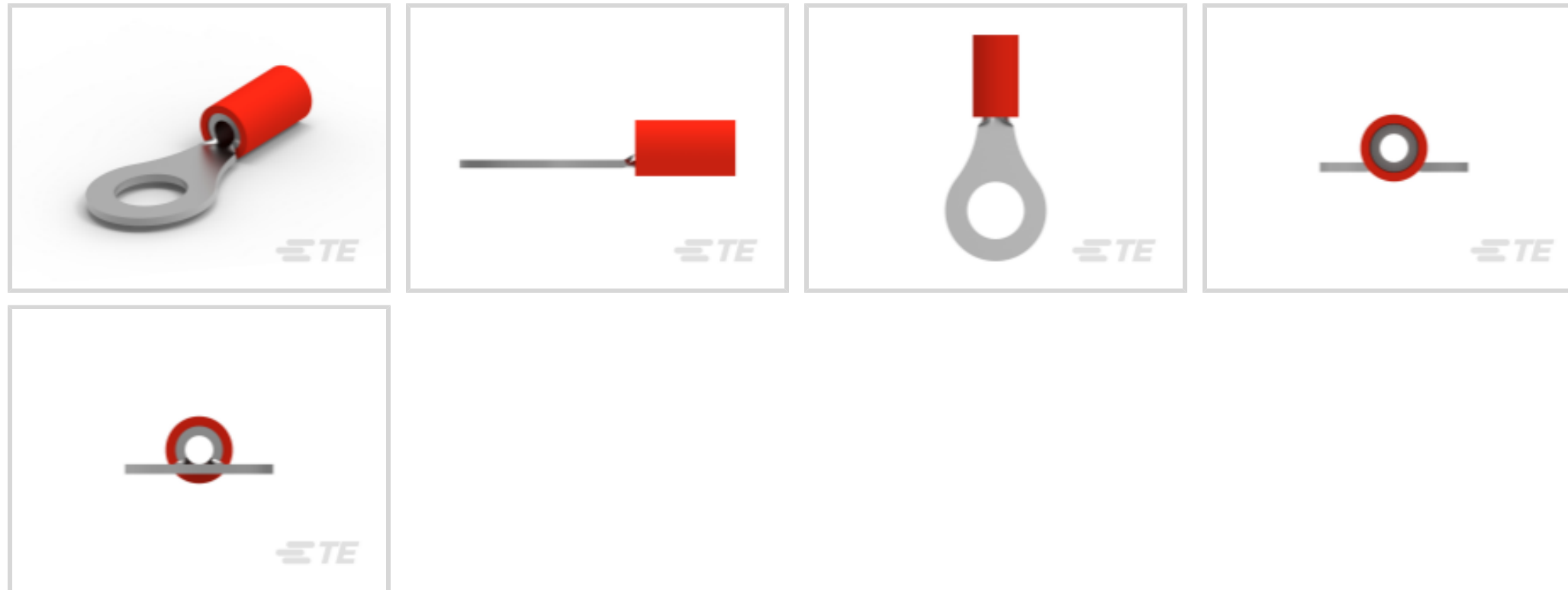
TE Internal #: 342145-1

Closed Ring Tongue Terminal, 16 – 14 AWG, M6 Stud Size, 6.7 mm [.265 in] Stud Diameter, Closed Barrel, Straight, Tin, Partially Insulated, PLASTI-GRIP

[View on TE.com >](#)



Terminals & Splices > Ring Terminals



Ring Terminal Product Type: Closed Ring Tongue Terminal

Wire Size: 1 – 2.5 mm<sup>2</sup>

Stud Size: M6

Stud Diameter: 6.7 mm [.265 in]

### Features

#### Product Type Features

|                                        |                             |
|----------------------------------------|-----------------------------|
| Terminal Features                      | Sheared                     |
| Ring Terminal Product Type             | Closed Ring Tongue Terminal |
| Stud Size                              | M6                          |
| Sealable                               | No                          |
| Wire Insulation Support Retention Type | Insulation Support          |

#### Configuration Features

|                 |   |
|-----------------|---|
| Number of Holes | 1 |
|-----------------|---|

#### Electrical Characteristics

|                |       |
|----------------|-------|
| Voltage Rating | 600 V |
|----------------|-------|

#### Body Features

|                         |        |
|-------------------------|--------|
| Product Weight          | 1.32 g |
| Insulation Sleeve Color | Blue   |
| Stripe Color            | Blue   |

#### Contact Features

|  |  |
|--|--|
|  |  |
|--|--|



|                           |          |
|---------------------------|----------|
| Barrel Type               | Closed   |
| Terminal Orientation      | Straight |
| Terminal Plating Material | Tin      |

### Mechanical Attachment

|                         |         |
|-------------------------|---------|
| Wire Insulation Support | Without |
|-------------------------|---------|

### Dimensions

|                                      |                             |
|--------------------------------------|-----------------------------|
| Wire Size                            | 1 – 2.5 mm <sup>2</sup>     |
| Stud Diameter                        | 6.7 mm [.265 in]            |
| Tongue Thickness                     | .79 mm [.031 in]            |
| Product Length                       | 28 mm [1.102 in]            |
| Compatible Insulation Diameter (Max) | 4.9 mm [.193 in]            |
| Compatible Insulation Diameter Range | 3 – 4.9 mm [.118 – .193 in] |

### Usage Conditions

|                             |                     |
|-----------------------------|---------------------|
| Insulation Option           | Partially Insulated |
| Operating Temperature Range | 105 °C [221 °F]     |

### Operation/Application

|                                       |        |
|---------------------------------------|--------|
| Compatible With Wire Base Material    | Copper |
| Compatible With Wire Plating Material | Tin    |

### Industry Standards

|                               |    |
|-------------------------------|----|
| Government Qualified Terminal | No |
|-------------------------------|----|

### Packaging Features

|                    |             |
|--------------------|-------------|
| Packaging Quantity | 100         |
| Packaging Method   | Loose Piece |

### Product Compliance

[For compliance documentation, visit the product page on TE.com>](#)

|                                               |                                                                                                  |
|-----------------------------------------------|--------------------------------------------------------------------------------------------------|
| EU RoHS Directive 2011/65/EU                  | Compliant                                                                                        |
| EU ELV Directive 2000/53/EC                   | Compliant                                                                                        |
| China RoHS 2 Directive MIIT Order No 32, 2016 | No Restricted Materials Above Threshold                                                          |
| EU REACH Regulation (EC) No. 1907/2006        | Current ECHA Candidate List: JUNE 2023 (235)<br>Candidate List Declared Against: JUNE 2023 (235) |



Does not contain REACH SVHC

Halogen Content

Not Low Halogen - contains Br or Cl > 900 ppm.

Solder Process Capability

Not applicable for solder process capability

Product Compliance Disclaimer

This information is provided based on reasonable inquiry of our suppliers and represents our current actual knowledge based on the information they provided. This information is subject to change. The part numbers that TE has identified as EU RoHS compliant have a maximum concentration of 0.1% by weight in homogenous materials for lead, hexavalent chromium, mercury, PBB, PBDE, DBP, BBP, DEHP, DIBP, and 0.01% for cadmium, or qualify for an exemption to these limits as defined in the Annexes of Directive 2011/65/EU (RoHS2). Finished electrical and electronic equipment products will be CE marked as required by Directive 2011/65/EU. Components may not be CE marked. Additionally, the part numbers that TE has identified as EU ELV compliant have a maximum concentration of 0.1% by weight in homogenous materials for lead, hexavalent chromium, and mercury, and 0.01% for cadmium, or qualify for an exemption to these limits as defined in the Annexes of Directive 2000/53/EC (ELV). Regarding the REACH Regulation, the information TE provides on SVHC in articles for this part number is based on the latest European Chemicals Agency (ECHA) 'Guidance on requirements for substances in articles' posted at this URL: <https://echa.europa.eu/guidance-documents/guidance-on-reach>

### Compatible Parts

TE Part # 59824-1  
TETRA-CRIMP PIDG PG FASTON 22-10 ASSY

TE Part # 47387  
DAHT PG PIDG 20-14 ASSY

TE Part # 58423-1  
DIE, RBY IS9252

TE Part # 58433-3  
PRO CR ASSY, RBY IS9252

TE Part # 1SET191001R0000  
CRIMP-HT

TE Part # 1SET191002R0000  
TET CRIMP-HT

TE Part # 169404  
CERTI-LOK DIE

### Also in the Series | PLASTI-GRIP

Compression Connectors(3)

Crimp Wire Pins, Tabs & Ferrules(25)

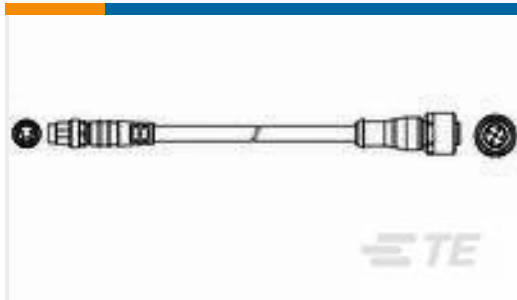
Ring Terminals(333)

Spade Terminals(195)



Splices(50)

## Customers Also Bought



TE Part #2273109-4  
M8 strgt plug to M12 strgt socket AA



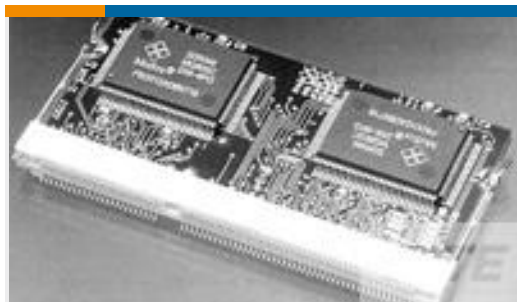
TE Part #11032576-00  
Model 44000 Series



TE Part #GA30K6A1A  
DISCRETE 30K OHMS,+/-0.1C FROM  
0C TO 70C



TE Part #T4133012081-000  
M12,FRONT MOUNT,FEMALE,A,8P,  
SOLDER WIRE



TE Part #390322-1  
SKT,SODIMM,144P,SDRAM3.3V,U.HI



TE Part #EL8095-000  
D-CT-50M-9.5-OUT-4



TE Part #EL8105-000  
D-CT-50M-18-OUT-4

## Documents

### Product Drawings

16-14 F.E.P.G. RING TONGUE NO.

English

### CAD Files

3D PDF

3D

Customer View Model

[ENG\\_CVM\\_CVM\\_342145-1\\_L.2d\\_dxf.zip](#)

English

Customer View Model

[ENG\\_CVM\\_CVM\\_342145-1\\_L.3d\\_igs.zip](#)

English

Customer View Model

[ENG\\_CVM\\_CVM\\_342145-1\\_L.3d\\_stp.zip](#)

English

By downloading the CAD file I accept and agree to the [Terms and Conditions](#) of use.



---

**Datasheets & Catalog Pages**

[RADIATION\\_RESISTANT\\_PRE-INSULATED\\_TERMINALS\\_SPLICES](#)

English

---

**Product Specifications**

[Application Specification](#)

English