

34203 ✓ ACTIVE

PLASTI-GRIP

TE Internal #: 34203

Splices, Butt Splice, 22 – 16 AWG Wire Size, .3 – 1.42 mm² Wire Size, Serrated, 509 – 3260 CMA Wire Size, Copper, Red, PLASTI-GRIP

[View on TE.com >](#)



Terminals & Splices > Splices



Wire Size: .3 – 1.42 mm²

Sealable: No

Splice Features: **Serrated**

Compatible Insulation Diameter Range: 4.34 mm [.171 in]

Features

Product Type Features

Splice Accessory Type	Splice
Sealable	No
Splice Type	Butt Splice
Compatible With Discrete Wire Type	Solid, Stranded
Wire Insulation Support Retention Type	Insulation Support

Configuration Features

Compatible With Wire & Cable Type	Discrete Wire
-----------------------------------	---------------

Body Features

Product Weight	.321 g
Insulation Material	Vinyl
Splice Features	Serrated
Primary Product Color	Red

Contact Features

Contact Base Material	Copper
-----------------------	--------



Barrel Type	Closed
-------------	--------

Mechanical Attachment

Wire Insulation Support	With
-------------------------	------

Dimensions

Wire Size	509 – 3260 CMA
-----------	----------------

Compatible Insulation Diameter Range	4.34 mm[.171 in]
--------------------------------------	------------------

Product Length	26.16 mm[1.03 in]
----------------	-------------------

Usage Conditions

Insulation Option	Fully Insulated
-------------------	-----------------

Operating Temperature Range	90 °C[221 °F]
-----------------------------	---------------

Operation/Application

Compatible With Wire Base Material	Copper
------------------------------------	--------

Industry Standards

Government Qualified Splice	No
-----------------------------	----

Packaging Features

Packaging Quantity	1000
--------------------	------

Packaging Method	Loose Piece
------------------	-------------

Other

Terminals & Splices Comment	Marking: Commercial 22-16- Military 22-18 in accordance with MIL-T-7928., Oval Expansion.
-----------------------------	---

Product Compliance

[For compliance documentation, visit the product page on TE.com>](#)

EU RoHS Directive 2011/65/EU	Compliant
------------------------------	-----------

EU ELV Directive 2000/53/EC	Compliant
-----------------------------	-----------

China RoHS 2 Directive MIIT Order No 32, 2016	No Restricted Materials Above Threshold
---	---

EU REACH Regulation (EC) No. 1907/2006	Current ECHA Candidate List: JUNE 2023 (235) Candidate List Declared Against: JUNE 2023 (235) Does not contain REACH SVHC
--	---

Halogen Content	Not Low Halogen - contains Br or Cl > 900 ppm.
-----------------	--

Solder Process Capability

Not applicable for solder process capability

Product Compliance Disclaimer

This information is provided based on reasonable inquiry of our suppliers and represents our current actual knowledge based on the information they provided. This information is subject to change. The part numbers that TE has identified as EU RoHS compliant have a maximum concentration of 0.1% by weight in homogenous materials for lead, hexavalent chromium, mercury, PBB, PBDE, DBP, BBP, DEHP, DIBP, and 0.01% for cadmium, or qualify for an exemption to these limits as defined in the Annexes of Directive 2011/65/EU (RoHS2). Finished electrical and electronic equipment products will be CE marked as required by Directive 2011/65/EU. Components may not be CE marked. Additionally, the part numbers that TE has identified as EU ELV compliant have a maximum concentration of 0.1% by weight in homogenous materials for lead, hexavalent chromium, and mercury, and 0.01% for cadmium, or qualify for an exemption to these limits as defined in the Annexes of Directive 2000/53/EC (ELV). Regarding the REACH Regulation, the information TE provides on SVHC in articles for this part number is based on the latest European Chemicals Agency (ECHA) 'Guidance on requirements for substances in articles' posted at this URL: <https://echa.europa.eu/guidance-documents/guidance-on-reach>

Compatible Parts



REPRESENTATION ONLY

TE Part # 47386
DAHT PG PIDG 26-16 ASSY



TE Part # 58423-1
DIE, RBY IS9252



TE Part # 58433-3
PRO CR ASSY, RBY IS9252



REPRESENTATION ONLY

TE Part # 45160
DAHT PG 22-16 ASSY

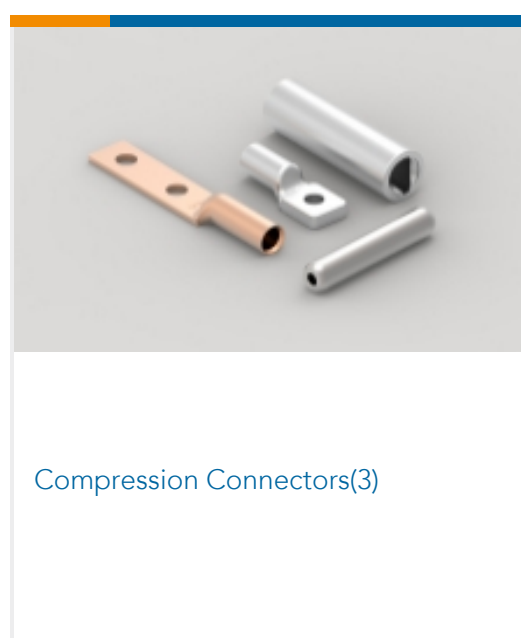


TE Part # 1SET191001R0000
CRIMP-HT



TE Part # 169404
CERTI-LOK DIE

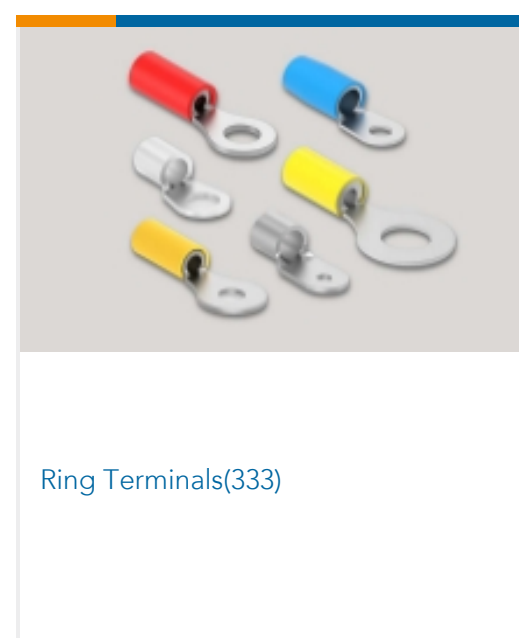
Also in the Series | PLASTI-GRIP



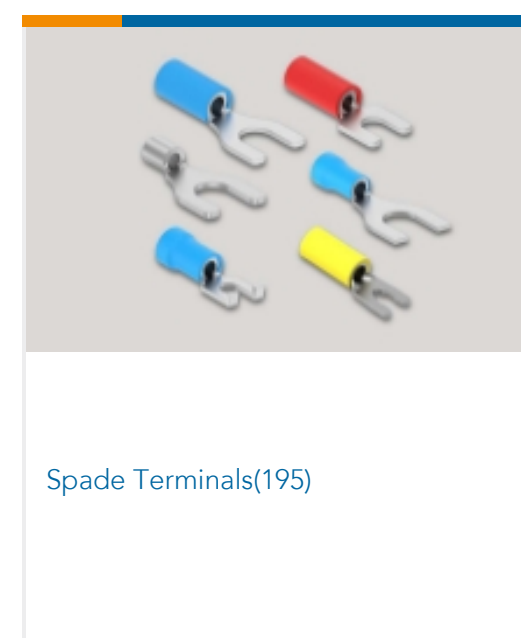
Compression Connectors(3)



Crimp Wire Pins, Tabs & Ferrules(25)



Ring Terminals(333)

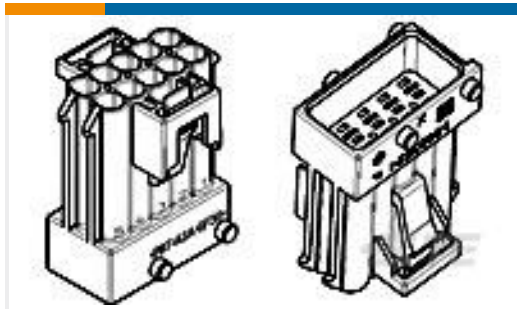


Spade Terminals(195)



Splices(50)

Customers Also Bought



TE Part #1-962349-1
6P STIFT-GEH 3MM



TE Part #2-323758-1
PIDG R 22-16 COMM 22-18 MIL 4



TE Part #3-1609037-0
10EHZ1=F8355



TE Part #1-350943-0
03P UMNL HDR ASSY R/A 94VO



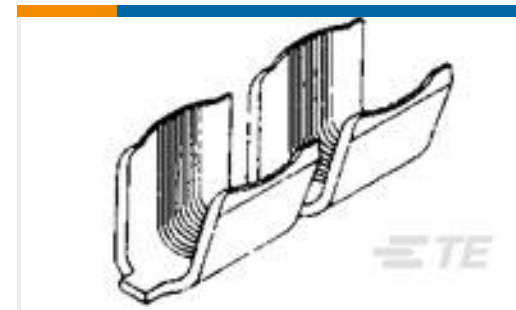
TE Part #8-34854-1
TERMINAL,PG R 12-10 10



TE Part #2178473-2
3POS UMNL PLUG HSG V0 GW



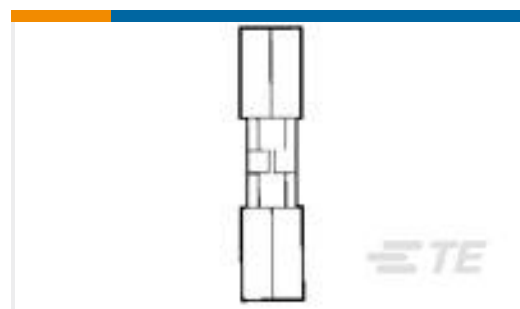
TE Part #926885-3
UNIV.M-N-L.PIN



TE Part #42778-2
SPLICE AMPLIVAR 600-3000 CMA



TE Part #42037-2
RING TERMINAL 22-18 AWG TPBR



TE Part #8-321198-1
SPLICE,SOLIS BUTT 26-22

Documents

Product Drawings

[PG BUTT SPLC 22-16COMM22-18MIL](#)

English

CAD Files

Customer View Model

[ENG_CVM_34203_F.3d_igs.zip](#)

English

Customer View Model



[ENG_CVM_34203_F.3d_stp.zip](#)

English

Customer View Model

[ENG_CVM_34203_F.2d_dxf.zip](#)

English

3D PDF

English

By downloading the CAD file I accept and agree to the [Terms and Conditions](#) of use.

Product Specifications

[Application Specification](#)

English

Product Environmental Compliance

[TE Material Declaration](#)

English

Instruction Sheets

[Instruction Sheet \(U.S.\)](#)

English

Agency Approvals

[UL Report](#)

English

[UL Report](#)

English

[UL Report](#)

English