

34156 ✓ ACTIVE

PLASTI-GRIP

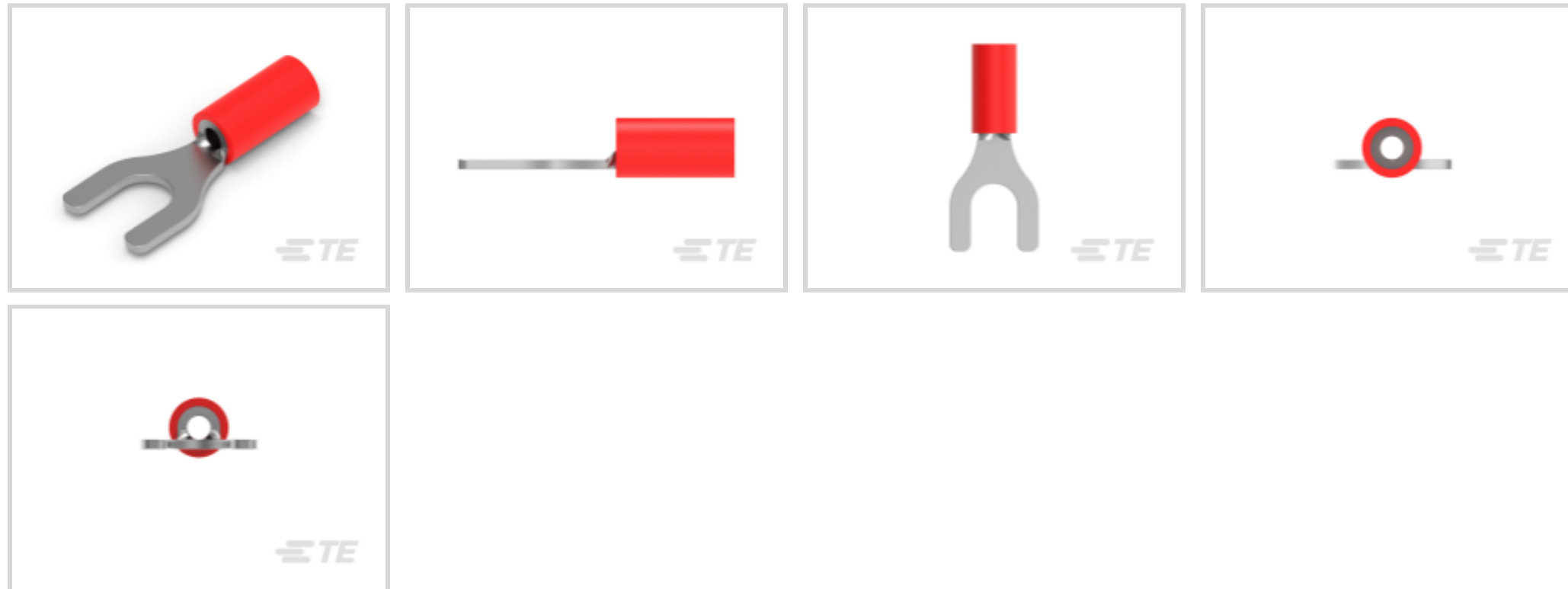
TE Internal #: 34156

Spade Tongue Terminal, 22 – 16 AWG, #10 Stud Size, 5 mm [.197 in] Stud Diameter, Closed Barrel, Straight, Tin, Partially Insulated, PLASTI-GRIP

[View on TE.com >](#)



Terminals & Splices > Spade Terminals



Spade Terminal Type: **Spade Tongue Terminal**

Wire Size: **509 – 3260 CMA**

Stud Size: **#10**

### Features

#### Product Type Features

Stud Size	#10
Sealable	No
Wire Insulation Support Retention Type	Insulation Support

#### Electrical Characteristics

Voltage Rating	600 V
----------------	-------

#### Body Features

Product Weight	.791 g
----------------	--------

#### Contact Features

Spade Terminal Type	Spade Tongue Terminal
Barrel Type	Closed
Terminal Orientation	Straight
Terminal Plating Material	Tin

#### Mechanical Attachment

Wire Insulation Support	With
-------------------------	------

#### Dimensions



Wire Size	509 – 3260 CMA
Stud Diameter	5 mm [.197 in]
Tongue Thickness	.79 mm [.031 in]
Product Length	23.37 mm [.92 in]
Compatible Insulation Diameter (Max)	3.56 mm [.14 in]
Compatible Insulation Diameter Range	2.67 – 3.56 mm [.105 – .14 in]

### Usage Conditions

Insulation Option	Partially Insulated
Operating Temperature Range	105 °C [221 °F]

### Operation/Application

Compatible With Wire Base Material	Copper
Compatible With Wire Plating Material	Tin

### Industry Standards

Government Qualified Terminal	No
-------------------------------	----

### Packaging Features

Packaging Quantity	1000
Packaging Method	Loose Piece

### Product Compliance

[For compliance documentation, visit the product page on TE.com>](#)

EU RoHS Directive 2011/65/EU	Compliant
EU ELV Directive 2000/53/EC	Compliant
China RoHS 2 Directive MIIT Order No 32, 2016	No Restricted Materials Above Threshold
EU REACH Regulation (EC) No. 1907/2006	Current ECHA Candidate List: JUNE 2023 (235) Candidate List Declared Against: JUNE 2023 (235) Does not contain REACH SVHC
Halogen Content	Not Low Halogen - contains Br or Cl > 900 ppm.
Solder Process Capability	Not applicable for solder process capability

#### Product Compliance Disclaimer

This information is provided based on reasonable inquiry of our suppliers and represents our current actual knowledge based on the information they provided. This information is subject to change. The part numbers that TE has identified as EU RoHS compliant have a maximum concentration of 0.1% by weight in homogenous materials for lead, hexavalent



chromium, mercury, PBB, PBDE, DBP, BBP, DEHP, DIBP, and 0.01% for cadmium, or qualify for an exemption to these limits as defined in the Annexes of Directive 2011/65/EU (RoHS2). Finished electrical and electronic equipment products will be CE marked as required by Directive 2011/65/EU. Components may not be CE marked. Additionally, the part numbers that TE has identified as EU ELV compliant have a maximum concentration of 0.1% by weight in homogenous materials for lead, hexavalent chromium, and mercury, and 0.01% for cadmium, or qualify for an exemption to these limits as defined in the Annexes of Directive 2000/53/EC (ELV). Regarding the REACH Regulation, the information TE provides on SVHC in articles for this part number is based on the latest European Chemicals Agency (ECHA) 'Guidance on requirements for substances in articles' posted at this URL: <https://echa.europa.eu/guidance-documents/guidance-on-reach>

## Compatible Parts

TE Part # 59824-1  
TETRA-CRIMP PIDG PG FASTON 22-10 ASSY

REPRESENTATION ONLY

TE Part # 47386  
DAHT PG PIDG 26-16 ASSY

REPRESENTATION ONLY

TE Part # 47386-4  
DAHT PG PIDG 26-16 ASSY

TE Part # 59250  
T-HEAD PIDG 26-14 ASSY

TE Part # 58423-1  
DIE, RBY IS9252

TE Part # 2-1377173-0  
SMP 0-0034156-0

TE Part # 58433-3  
PRO CR ASSY, RBY IS9252

REPRESENTATION ONLY

TE Part # 525690  
DAHT PG PIDG 20-18 ASSY

TE Part # 539691-2  
ERGO DIE R.B.Y

TE Part # 47806-2  
DIES PIDG 22-16 DIE SET

TE Part # 59300  
T-HEAD PIDG PG 26-16 ASSY

TE Part # 169400  
CERTI-LOK FRAME W/O DIES

TE Part # 1SET191002R0000  
TET CRIMP-HT

TE Part # 2392021-2  
RED BATTERY DAHT KIT 220V (47689-4)

TE Part # 2392021-1  
RED BATTERY DAHT KIT 110V (47689-4)

TE Part # 169404  
CERTI-LOK DIE

Also in the Series | **PLASTI-GRIP**



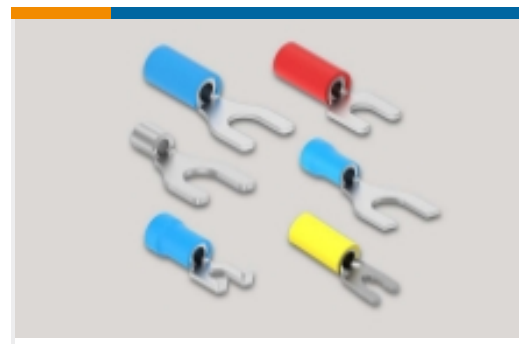
Compression Connectors(3)



Crimp Wire Pins, Tabs & Ferrules(25)



Ring Terminals(333)



Spade Terminals(195)

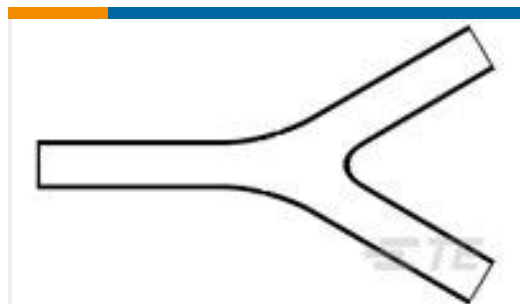


Splices(50)

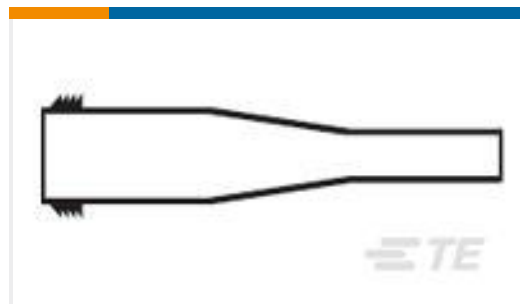
### Customers Also Bought



TE Part #745209-7  
25 HDE AP RECEPT, LEAD FREE



TE Part #811458-000  
381A301-50-0



TE Part #298088-000  
QFT1-130/42-0



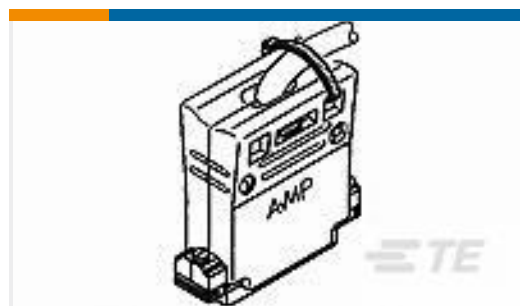
TE Part #1565994-3  
RITS HDR ASSY R/A SMT TYPE 3P WITH BOSS



TE Part #1586953-1  
02P UMNL PIN HDR ASSY NATL, GW



TE Part #1-207369-3  
CPC RECEPT ASSY SZ 17-28 LF



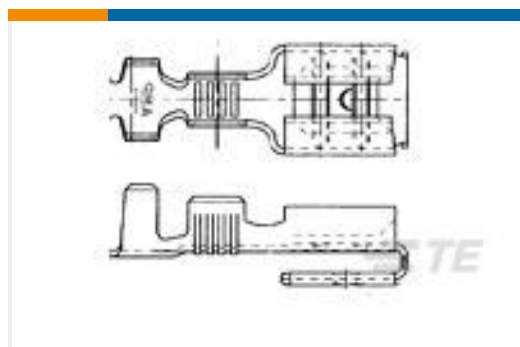
TE Part #5745134-1  
CABLE CLAMP KIT, SZ 3



TE Part #1-1437664-7  
NC6-P107-12=NC6 ASSEMBLY



TE Part #9-1768016-5  
CSL-09333P-9



TE Part #160739-4  
250 FASTON, PIGGYBACK REC., 18-14 AWG, TPPB

### Documents



**Product Drawings**

[PG SPD 22-16 COMM 22-18 MIL 10](#)

English

---

**CAD Files**

[3D PDF](#)

3D

Customer View Model

[ENG\\_CVM\\_CVM\\_34156\\_R.2d\\_dxf.zip](#)

English

Customer View Model

[ENG\\_CVM\\_CVM\\_34156\\_R.3d\\_igs.zip](#)

English

Customer View Model

[ENG\\_CVM\\_CVM\\_34156\\_R.3d\\_stp.zip](#)

English

[3D PDF](#)

English

Customer View Model

[ENG\\_CVM\\_34156\\_L.3d\\_igs.zip](#)

English

Customer View Model

[ENG\\_CVM\\_34156\\_L.3d\\_stp.zip](#)

English

Customer View Model

[ENG\\_CVM\\_34156\\_L.2d\\_dxf.zip](#)

English

By downloading the CAD file I accept and agree to the [Terms and Conditions](#) of use.

---

**Product Specifications**

[Application Specification](#)

English

---

**Product Environmental Compliance**

[TE Material Declaration](#)

English

---

**Agency Approvals**

[UL Report](#)

English

[UL Report](#)

English

[UL Report](#)

English

[UL Report](#)

English

34156

Spade Tongue Terminal, 22 – 16 AWG, #10 Stud Size, 5 mm [.197 in] Stud Diameter,  
Closed Barrel, Straight, Tin, Partially Insulated, PLASTI-GRIP

