



SOLISTRAND

TE Internal #: 34138-3

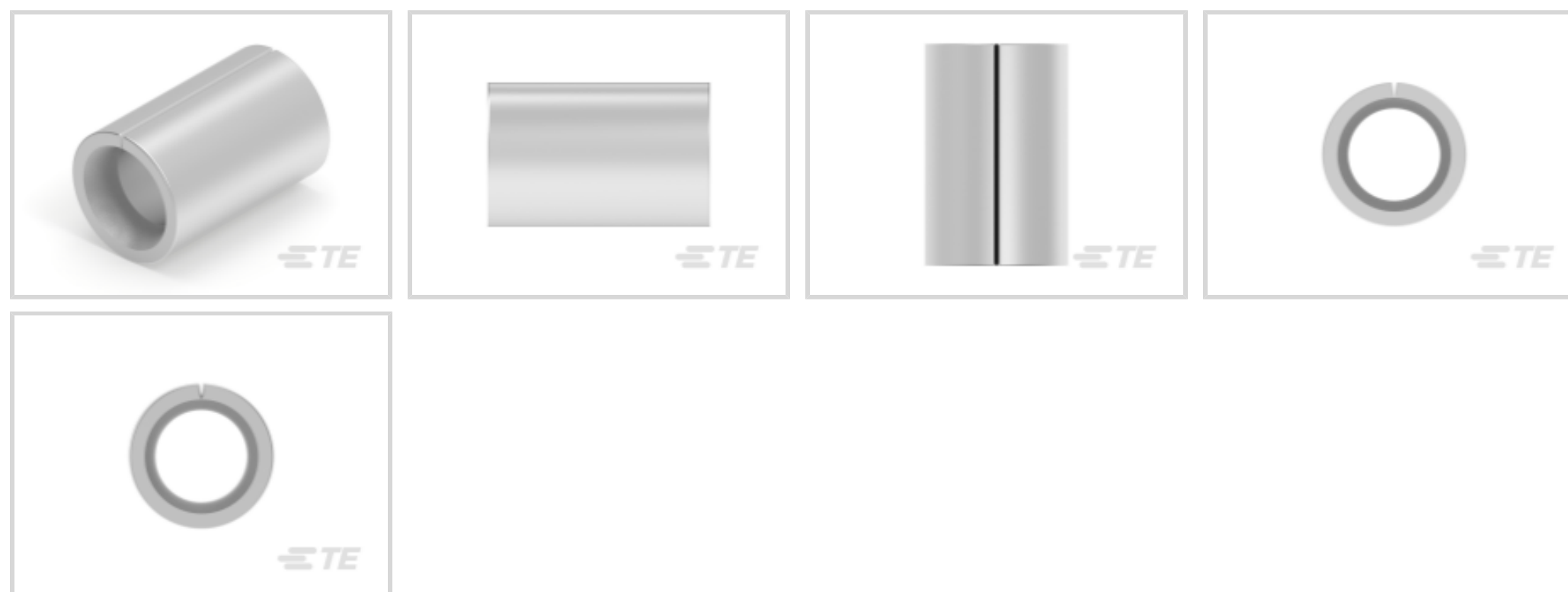
Splices, Parallel Splice, 12 – 10 AWG Wire Size, 3 – 6 mm<sup>2</sup> Wire Size,

Serrated, .129 in [3.28 mm] Barrel Inside Diameter, 5180 – 13100

CMA Wire Size

[View on TE.com >](#)

Terminals & Splices > Splices



Wire Size: 3 – 6 mm<sup>2</sup>

Sealable: No

Splice Features: Serrated

Barrel Inside Diameter: 3.28 mm [ .129 in ]

Features

Product Type Features

|  |                        |
|--|------------------------|
| Splice Accessory Type                  | Splice                 |
| Sealable                               | No                     |
| Splice Type                            | Parallel Splice        |
| Compatible With Discrete Wire Type     | Stranded               |
| Wire Insulation Support Retention Type | Non-Insulation Support |

Configuration Features

|                                   |               |
|-----------------------------------|---------------|
| Compatible With Wire & Cable Type | Discrete Wire |
|-----------------------------------|---------------|

Body Features

|                 |          |
|-----------------|----------|
| Product Weight  | 4.536 g  |
| Splice Features | Serrated |

Contact Features

|                           |         |
|---------------------------|---------|
|                           | 100 μin |
| Terminal Plating Material | Tin     |
| Contact Base Material     | Copper  |



|             |        |
|-------------|--------|
| Barrel Type | Closed |
|-------------|--------|

### Mechanical Attachment

|                         |         |
|-------------------------|---------|
| Wire Insulation Support | Without |
|-------------------------|---------|

### Dimensions

|           |                  |
|-----------|------------------|
| Wire Size | 5180 – 13100 CMA |
|-----------|------------------|

|                        |                  |
|------------------------|------------------|
| Barrel Inside Diameter | 3.28 mm[.129 in] |
|------------------------|------------------|

|                             |                 |
|-----------------------------|-----------------|
| Terminal Material Thickness | .98 mm[.039 in] |
|-----------------------------|-----------------|

|                |                  |
|----------------|------------------|
| Product Length | 8.71 mm[.343 in] |
|----------------|------------------|

### Usage Conditions

|                   |             |
|-------------------|-------------|
| Insulation Option | Uninsulated |
|-------------------|-------------|

|                             |                |
|-----------------------------|----------------|
| Operating Temperature Range | 170 °C[338 °F] |
|-----------------------------|----------------|

### Operation/Application

|                                    |        |
|------------------------------------|--------|
| Compatible With Wire Base Material | Copper |
|------------------------------------|--------|

### Industry Standards

|                             |    |
|-----------------------------|----|
| Government Qualified Splice | No |
|-----------------------------|----|

### Packaging Features

|                    |     |
|--------------------|-----|
| Packaging Quantity | 500 |
|--------------------|-----|

|                  |             |
|------------------|-------------|
| Packaging Method | Loose Piece |
|------------------|-------------|

### Product Compliance

[For compliance documentation, visit the product page on TE.com>](#)

|                              |               |
|------------------------------|---------------|
| EU RoHS Directive 2011/65/EU | Not Compliant |
|------------------------------|---------------|

|                             |               |
|-----------------------------|---------------|
| EU ELV Directive 2000/53/EC | Not Compliant |
|-----------------------------|---------------|

|   |                                      |
|---|--------------------------------------|
| China RoHS 2 Directive MIIT Order No 32, 2016 | Restricted Materials Above Threshold |
|---|--------------------------------------|

|  |  |
|--|--|
| EU REACH Regulation (EC) No. 1907/2006 | <p>Current ECHA Candidate List: JUNE 2023 (235)<br/> Candidate List Declared Against: JAN 2022 (223)<br/> SVHC &gt; Threshold:<br/> Pb (40% in Component Part)</p> |
|--|--|

**Article Safe Usage Statements:**  
Do not eat, drink or smoke when using this product. Wash thoroughly after handling. Recycle if possible and dispose of the article by following all applicable governmental regulations relevant to your geographic location.

|                 |   |
|-----------------|---|
| Halogen Content | Low Halogen - Br, Cl, F, I < 900 ppm per homogenous material. Also BFR/CFR/PVC Free |
|-----------------|---|

Solder Process Capability

Not applicable for solder process capability

Product Compliance Disclaimer

This information is provided based on reasonable inquiry of our suppliers and represents our current actual knowledge based on the information they provided. This information is subject to change. The part numbers that TE has identified as EU RoHS compliant have a maximum concentration of 0.1% by weight in homogenous materials for lead, hexavalent chromium, mercury, PBB, PBDE, DBP, BBP, DEHP, DIBP, and 0.01% for cadmium, or qualify for an exemption to these limits as defined in the Annexes of Directive 2011/65/EU (RoHS2). Finished electrical and electronic equipment products will be CE marked as required by Directive 2011/65/EU. Components may not be CE marked. Additionally, the part numbers that TE has identified as EU ELV compliant have a maximum concentration of 0.1% by weight in homogenous materials for lead, hexavalent chromium, and mercury, and 0.01% for cadmium, or qualify for an exemption to these limits as defined in the Annexes of Directive 2000/53/EC (ELV). Regarding the REACH Regulation, the information TE provides on SVHC in articles for this part number is based on the latest European Chemicals Agency (ECHA) 'Guidance on requirements for substances in articles' posted at this URL: <https://echa.europa.eu/guidance-documents/guidance-on-reach>


### Compatible Parts



TE Part # 58545-1  
SOLISTRAND 10-22 DIE ASSY



TE Part # 58546-1  
PC 22-10 SOLISSPICE SPL I SHT



TE Part # 49935  
DAHT SOLIS 22-10 ASSY



TE Part # 58545-3  
SDE DIE ASSY. 22-10 SOLISTRAND

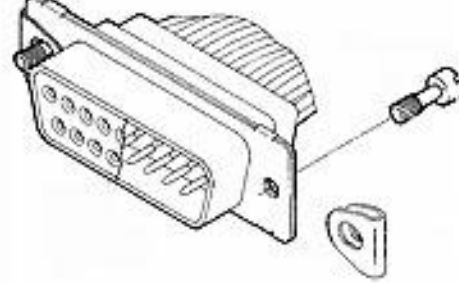


TE Part # 539662-2  
MATR SOLISTR 0,3-6,



TE Part # 169400  
CERTI-LOK FRAME W/O DIES


### Customers Also Bought



TE Part #211883-5  
SCREW RETAINER KIT,AMPLIMITE



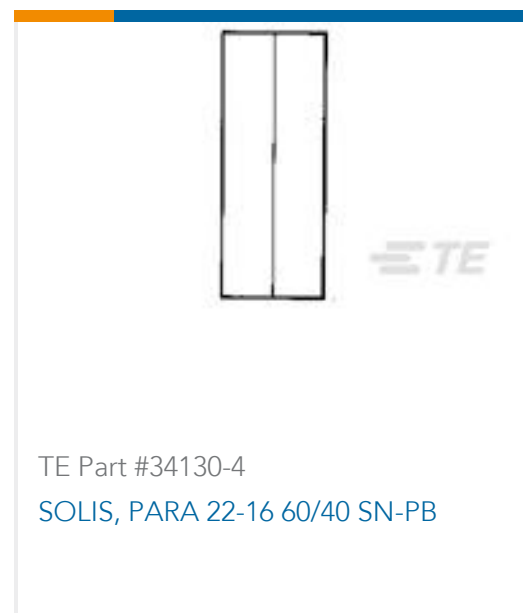
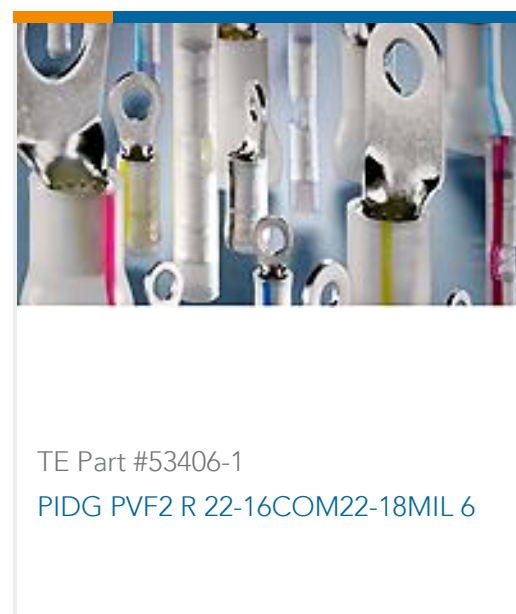
TE Part #699689-000  
MTC100-JH2-P22



TE Part #2-34318-1  
SPLICE,SOLIS PARA HR 8



TE Part #204370-8  
CONT PIN,SZ 22D,NON-MAG



## Documents

### Product Drawings

[SOLIS, PARA 12-10 60/40 SN-PB](#)

English

### CAD Files

Customer View Model

[ENG\\_CVM\\_CVM\\_34138-3\\_Y.2d\\_dxf.zip](#)

English

[3D PDF](#)

3D

Customer View Model

[ENG\\_CVM\\_CVM\\_34138-3\\_Y.3d\\_igs.zip](#)

English

Customer View Model

[ENG\\_CVM\\_CVM\\_34138-3\\_Y.3d\\_stp.zip](#)

English

By downloading the CAD file I accept and agree to the [Terms and Conditions](#) of use.

### Datasheets & Catalog Pages

[SOLISTRAND - QRG](#)

English