

34120 ✓ ACTIVE

SOLISTRAND

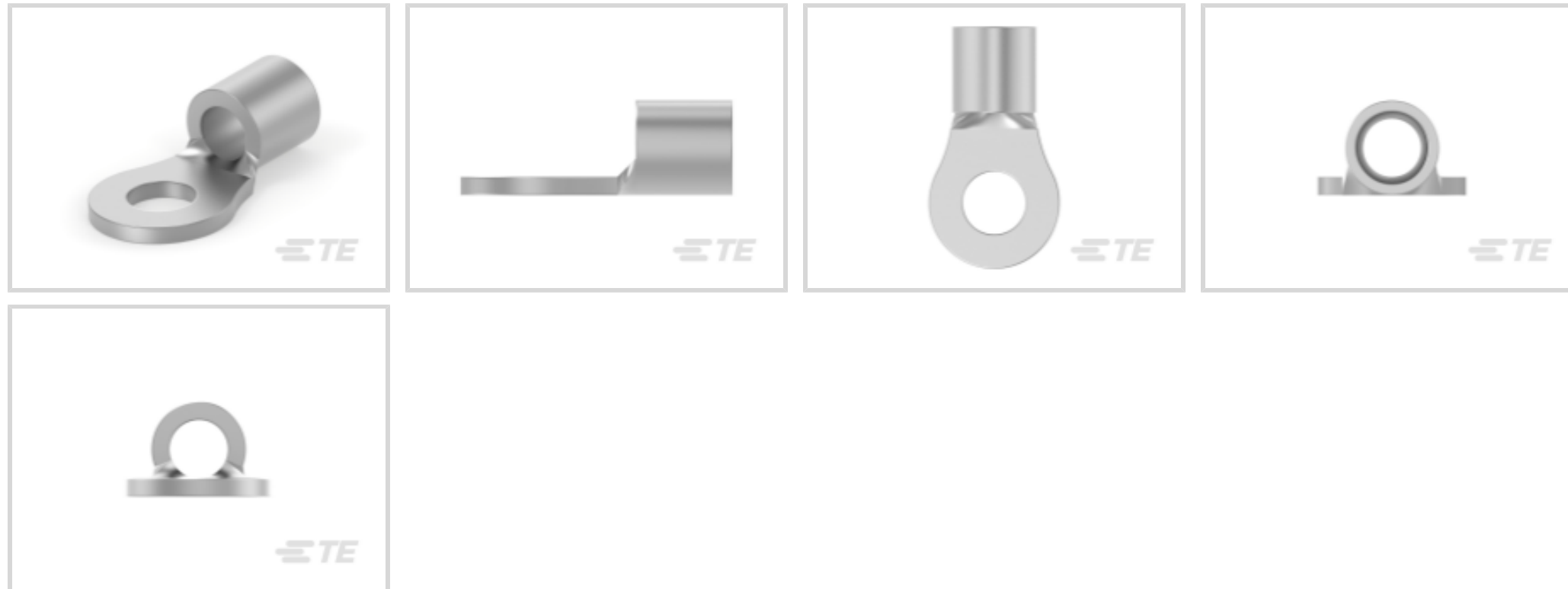
TE Internal #: 34120

Closed Ring Tongue Terminal, 16 AWG, M3.5 / #6 Stud Size, 3.51 mm [.138 in] Stud Diameter, Closed Barrel, Straight, Tin, Uninsulated

[View on TE.com >](#)



Terminals & Splices > Ring Terminals



Ring Terminal Product Type: Closed Ring Tongue Terminal

Wire Size: 2050 – 5180 CMA

Stud Size: #6, M3.5

Features

Product Type Features

Ring Terminal Product Type	Closed Ring Tongue Terminal
Stud Size	#6, M3.5
Sealable	No
Wire Insulation Support Retention Type	Non-Insulation Support

Configuration Features

Number of Holes	1
-----------------	---

Contact Features

Barrel Type	Closed
Terminal Orientation	Straight
Terminal Plating Material	Tin

Mechanical Attachment

Wire Insulation Support	Without
-------------------------	---------

Dimensions

Wire Size	2050 – 5180 CMA
Stud Diameter	3.51 mm [.138 in]



Tongue Thickness	.79 mm[.031 in]
Product Length	12.19 mm[.48 in]
Barrel Inside Diameter	2.16 mm[.085 in]

Usage Conditions

Insulation Option	Uninsulated
Operating Temperature Range	170 °C[338 °F]

Operation/Application

Compatible With Wire Base Material	Copper
Compatible With Wire Plating Material	Tin

Industry Standards

Government Qualified Terminal	No
-------------------------------	----

Packaging Features

Packaging Quantity	1000
Packaging Method	Loose Piece

Product Compliance

[For compliance documentation, visit the product page on TE.com>](#)

EU RoHS Directive 2011/65/EU	Compliant
EU ELV Directive 2000/53/EC	Compliant
China RoHS 2 Directive MIIT Order No 32, 2016	No Restricted Materials Above Threshold
EU REACH Regulation (EC) No. 1907/2006	Current ECHA Candidate List: JUNE 2023 (235) Candidate List Declared Against: JUNE 2023 (235) Does not contain REACH SVHC
Halogen Content	Low Halogen - Br, Cl, F, I < 900 ppm per homogenous material. Also BFR/CFR/PVC Free
Solder Process Capability	Not applicable for solder process capability

Product Compliance Disclaimer

This information is provided based on reasonable inquiry of our suppliers and represents our current actual knowledge based on the information they provided. This information is subject to change. The part numbers that TE has identified as EU RoHS compliant have a maximum concentration of 0.1% by weight in homogenous materials for lead, hexavalent chromium, mercury, PBB, PBDE, DBP, BBP, DEHP, DIBP, and 0.01% for cadmium, or qualify for an exemption to these limits as defined in the Annexes of Directive 2011/65/EU (RoHS2). Finished electrical and electronic equipment products will be CE marked as required by Directive 2011/65/EU. Components may not be CE marked. Additionally, the part numbers that TE has identified as EU ELV compliant have a maximum concentration of 0.1% by weight in homogenous materials for lead, hexavalent chromium, and mercury, and 0.01% for cadmium, or qualify for an exemption to these limits

as defined in the Annexes of Directive 2000/53/EC (ELV). Regarding the REACH Regulation, the information TE provides on SVHC in articles for this part number is based on the latest European Chemicals Agency (ECHA) 'Guidance on requirements for substances in articles' posted at this URL: <https://echa.europa.eu/guidance-documents/guidance-on-reach>

Compatible Parts



TE Part # 58545-1
SOLISTRAND 10-22 DIE ASSY



TE Part # 58546-1
PC 22-10 SOLISSPICE SPL I SHT



TE Part # 49935
DAHT SOLIS 22-10 ASSY



TE Part # 58545-3
SDE DIE ASSY. 22-10 SOLISTRAND



TE Part # 1377172-6
SMP 0-0034120-0



TE Part # 47813
DIES SOLIS 16-14 DIE SET



TE Part # 539662-2
MATR SOLISTR 0,3-6,



TE Part # 169400
CERTI-LOK FRAME W/O DIES

Customers Also Bought



TE Part #69710-1
C-HEAD FRAME W/O DIES



TE Part #329656
SPLICE,TERMI-FOIL DBL FACE



TE Part #323672
SPLICE,SOLIS PARA HT 12-10



TE Part #6-103639-9
20 MTE HDR SRST LATCH .100CL



TE Part #8-34072-1
SPLICE,PG BUTT 12-10



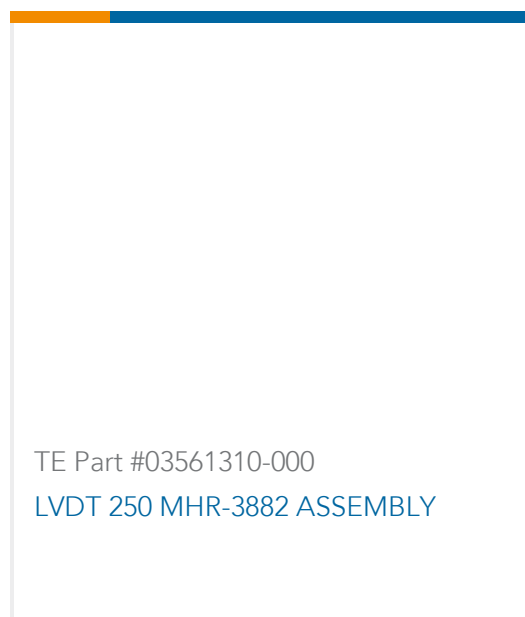
TE Part #356611-1
DIES POWERBAND CONT 8 AWG DIE SET



TE Part #356611-2
DIES POWERBAND CONT 10 AWG DIE SET



TE Part #CS3784-000
44A0311-8-3



Documents

Product Drawings

[TERMINAL,SOLIS R 16-14 6](#)

English

CAD Files

3D PDF

3D

Customer View Model

[ENG_CVM_CVM_34120_S.2d_dxf.zip](#)

English

Customer View Model

[ENG_CVM_CVM_34120_S.3d_igs.zip](#)

English

Customer View Model

[ENG_CVM_CVM_34120_S.3d_stp.zip](#)

English

3D PDF

English

Customer View Model

[ENG_CVM_34120_F.2d_dxf.zip](#)

English

Customer View Model

[ENG_CVM_34120_F.3d_igs.zip](#)

English

Customer View Model

[ENG_CVM_34120_F.3d_stp.zip](#)

English

By downloading the CAD file I accept and agree to the [Terms and Conditions](#) of use.

Datasheets & Catalog Pages

[SOLISTRAND - QRG](#)

English

Product Environmental Compliance

[Product Compliance Document](#)

English



Product Compliance Document

English

Agency Approvals

UL Report

English

UL Report

English

UL Report

English