

336076-5 ✓ ACTIVE

FASTON | FASTON 250

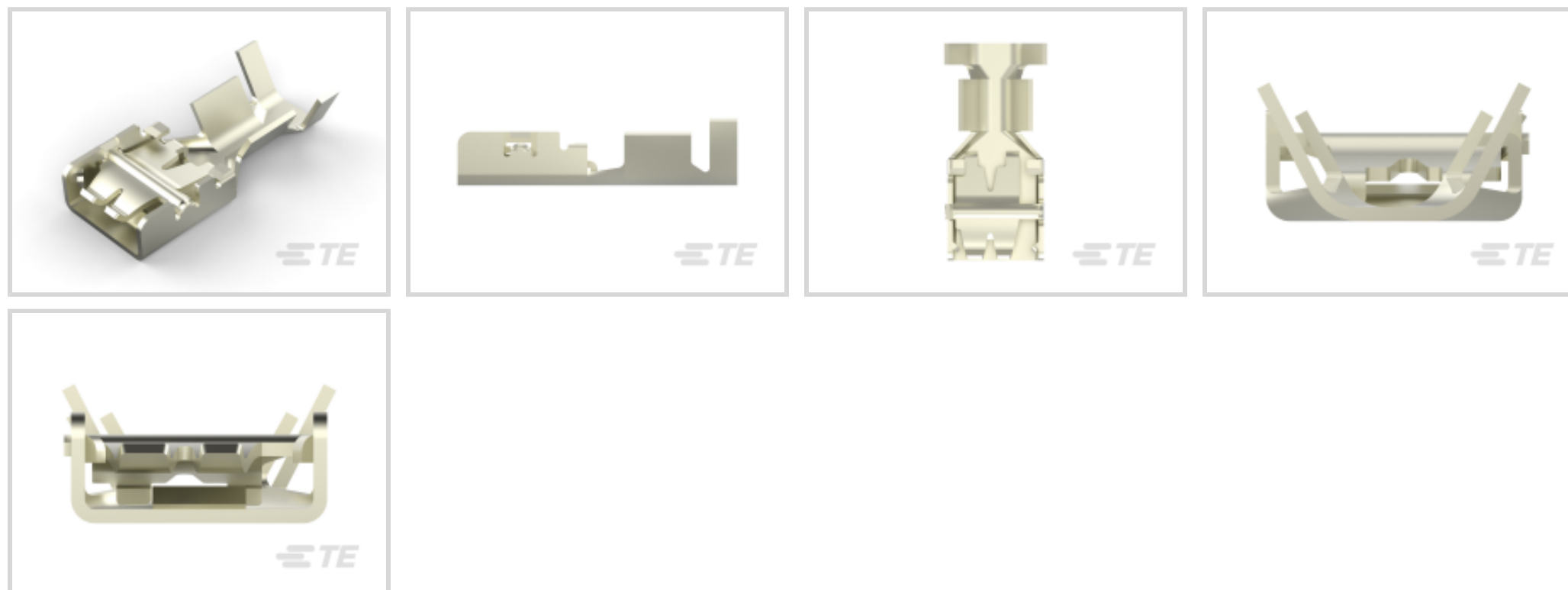
TE Internal #: 336076-5

Quick Disconnects, Receptacle, 17 – 13 AWG Wire Size, 1.03 – 2.62 mm² Wire Size, Mating Tab Width 6.35 mm [.25 in], Straight, Steel, FASTON 250

[View on TE.com >](#)



Terminals & Splices > Quick Disconnects



Quick Disconnect Terminal Type: **Receptacle**

Wire Size: **1.03 – 2.62 mm²**

Mating Tab Width: **6.35 mm [.25 in]**

Mating Tab Thickness: **.81 mm [.032 in]**

Features

Product Type Features

| | |
|-----------------|-----|
| Insertion Force | Low |
|-----------------|-----|

Configuration Features

| | |
|---------------------|--------|
| Connection Capacity | Single |
|---------------------|--------|

| | |
|-----------------------------------|---------------|
| Compatible With Wire & Cable Type | Discrete Wire |
|-----------------------------------|---------------|

Electrical Characteristics

| | |
|----------------|-------|
| Voltage Rating | 240 V |
|----------------|-------|

Contact Features

| | |
|--------------------------------|------------|
| Quick Disconnect Terminal Type | Receptacle |
|--------------------------------|------------|

| | |
|------------------|------------------|
| Mating Tab Width | 6.35 mm [.25 in] |
|------------------|------------------|

| | |
|----------------------|------------------|
| Mating Tab Thickness | .81 mm [.032 in] |
|----------------------|------------------|

| | |
|----------------------|----------|
| Terminal Orientation | Straight |
|----------------------|----------|

| | |
|-----------------------|-------|
| Contact Base Material | Steel |
|-----------------------|-------|

| | |
|---------------------------|------------|
| Terminal Plating Material | Pre-Nickel |
|---------------------------|------------|

| | |
|------------|---------|
| Crimp Type | F-Crimp |
|------------|---------|



| | |
|-------------|------|
| Barrel Type | Open |
|-------------|------|

Termination Features

| | |
|-----------------------|--------------|
| Product Terminates To | Wire & Cable |
|-----------------------|--------------|

Mechanical Attachment

| | |
|-------------------------|------|
| Wire Insulation Support | With |
|-------------------------|------|

Dimensions

| | |
|-----------------------------|-----------------|
| Terminal Material Thickness | .4 mm [.015 in] |
|-----------------------------|-----------------|

| | |
|----------------|-----------------|
| Product Length | 17 mm [.669 in] |
|----------------|-----------------|

| | |
|--------------------------------------|-----------------------------|
| Compatible Insulation Diameter Range | 3 – 3.6 mm [.118 – .141 in] |
|--------------------------------------|-----------------------------|

| | |
|-----------|-----------------------------|
| Wire Size | 1.03 – 2.62 mm ² |
|-----------|-----------------------------|

Usage Conditions

| | |
|-------------------|-------------|
| Insulation Option | Uninsulated |
|-------------------|-------------|

| | |
|-----------------------------|-----------------------------|
| Operating Temperature Range | -40 – 250 °C [-40 – 482 °F] |
|-----------------------------|-----------------------------|

Packaging Features

| | |
|--------------------|------|
| Packaging Quantity | 9000 |
|--------------------|------|

| | |
|------------------|------------|
| Packaging Method | Strip/Reel |
|------------------|------------|

Product Compliance

[For compliance documentation, visit the product page on TE.com>](#)

| | |
|------------------------------|-----------|
| EU RoHS Directive 2011/65/EU | Compliant |
|------------------------------|-----------|

| | |
|-----------------------------|-----------|
| EU ELV Directive 2000/53/EC | Compliant |
|-----------------------------|-----------|

| | |
|---|---|
| China RoHS 2 Directive MIIT Order No 32, 2016 | No Restricted Materials Above Threshold |
|---|---|

| | |
|--|---|
| EU REACH Regulation (EC) No. 1907/2006 | Current ECHA Candidate List: JUNE 2023 (235) Candidate List Declared Against: JUNE 2023 (235) Does not contain REACH SVHC |
|--|---|

| | |
|-----------------|---|
| Halogen Content | Low Halogen - Br, Cl, F, I < 900 ppm per homogenous material. Also BFR/CFR/PVC Free |
|-----------------|---|

| | |
|---------------------------|--|
| Solder Process Capability | Not applicable for solder process capability |
|---------------------------|--|

Product Compliance Disclaimer

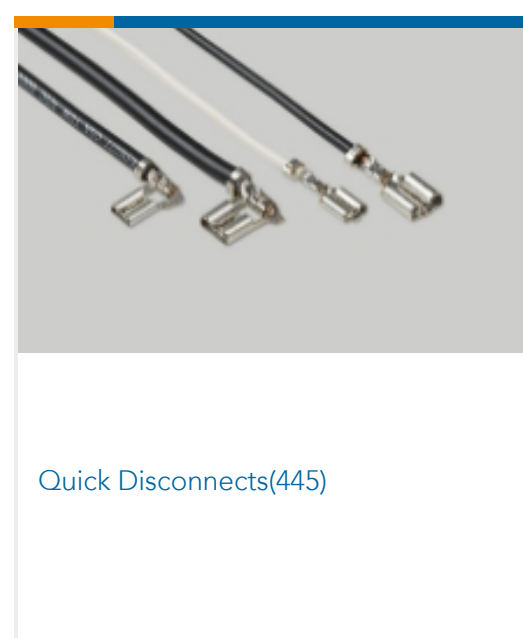
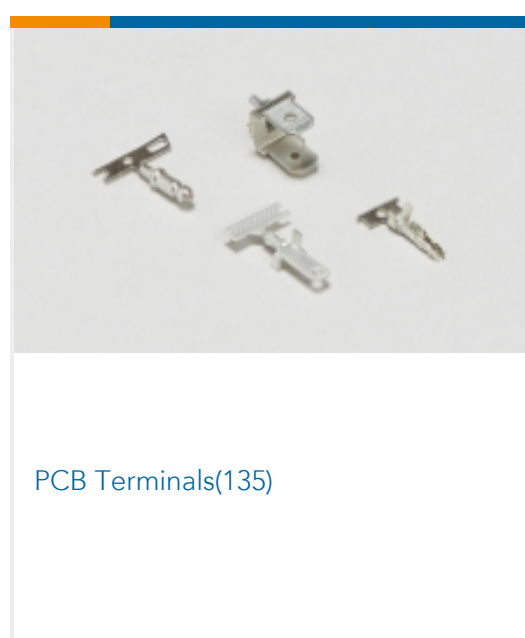
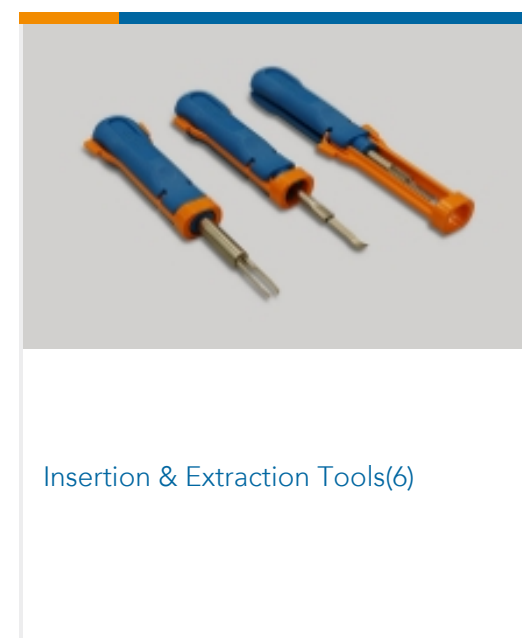
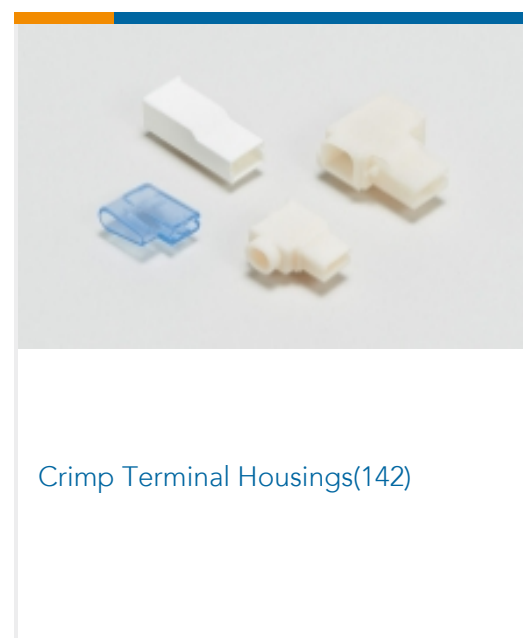
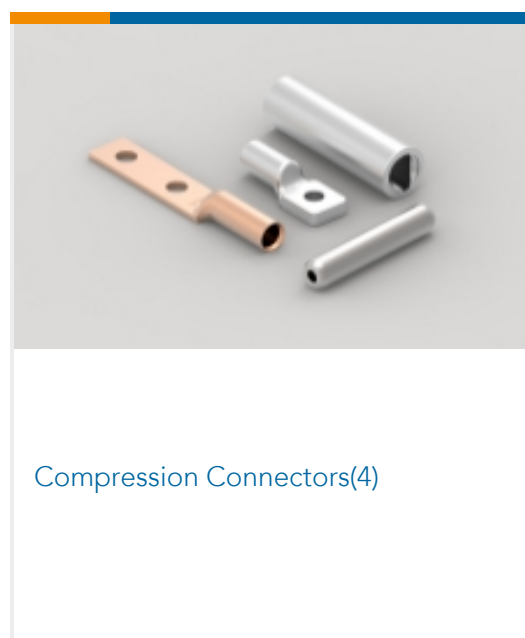
This information is provided based on reasonable inquiry of our suppliers and represents our current actual knowledge based on the information they provided. This information is subject to change. The part numbers that TE has identified as EU RoHS compliant have a maximum concentration of 0.1% by weight in homogenous materials for lead, hexavalent chromium, mercury, PBB, PBDE, DBP, BBP, DEHP, DIBP, and 0.01% for cadmium, or qualify for an exemption to these

limits as defined in the Annexes of Directive 2011/65/EU (RoHS2). Finished electrical and electronic equipment products will be CE marked as required by Directive 2011/65/EU. Components may not be CE marked. Additionally, the part numbers that TE has identified as EU ELV compliant have a maximum concentration of 0.1% by weight in homogenous materials for lead, hexavalent chromium, and mercury, and 0.01% for cadmium, or qualify for an exemption to these limits as defined in the Annexes of Directive 2000/53/EC (ELV). Regarding the REACH Regulation, the information TE provides on SVHC in articles for this part number is based on the latest European Chemicals Agency (ECHA) 'Guidance on requirements for substances in articles' posted at this URL: <https://echa.europa.eu/guidance-documents/guidance-on-reach>

Compatible Parts



Also in the Series | FASTON 250



Customers Also Bought



Documents

Product Drawings

250 FASTON,E SPRING REC.,17-14 AWG,PNST

English

CAD Files

3D PDF

3D

Customer View Model

[ENG_CVM_CVM_336076-5_M.2d_dxf.zip](#)

English

Customer View Model

[ENG_CVM_CVM_336076-5_M.3d_igs.zip](#)

English

Customer View Model

[ENG_CVM_CVM_336076-5_M.3d_stp.zip](#)

English

By downloading the CAD file I accept and agree to the [Terms and Conditions](#) of use.

Datasheets & Catalog Pages

1654742_HOUSEHOLD_APPLIANCES_RAST5

English

E-Spring Flyer

English

Product Specifications

E-SPRING CONTACT

English



Application Specification

English

Product Environmental Compliance

TE Material Declaration

English

Instruction Sheets

Instruction Sheet (non U.S.)

English

E-SPRING CONTACT SYSTEM. INSTRUCTIONS FOR MAKING CONNECTION WITH TAB

English

Agency Approvals

Agency Approval Document

English