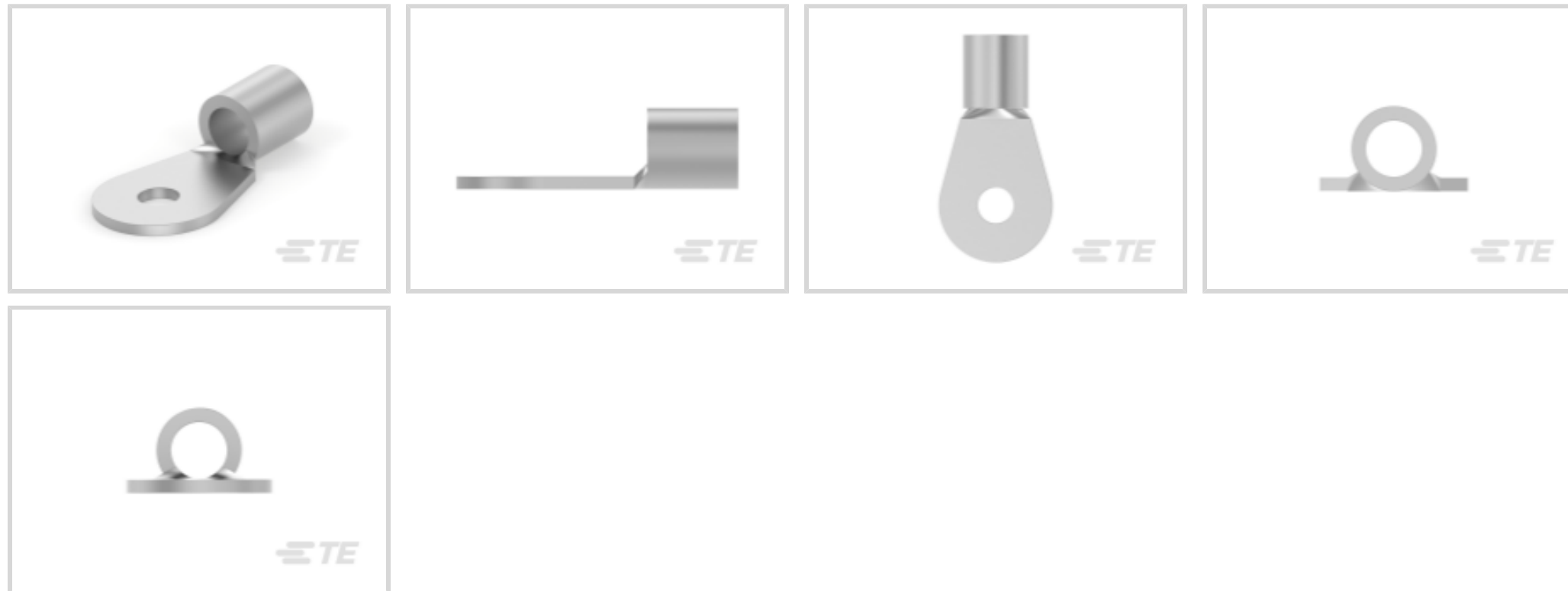




Terminals & Splices > Ring Terminals



Ring Terminal Product Type: **Closed Ring Tongue Terminal**

Wire Size: **20800 – 33100 CMA**

Stud Size: **#10**

Features

Product Type Features

Ring Terminal Product Type	Closed Ring Tongue Terminal
Stud Size	#10
Sealable	No
Wire Insulation Support Retention Type	Non-Insulation Support

Configuration Features

Number of Holes	1
-----------------	---

Contact Features

Barrel Type	Closed
Terminal Orientation	Straight
Terminal Plating Material	Tin

Mechanical Attachment

Wire Insulation Support	Without
-------------------------	---------

Dimensions

Wire Size	20800 – 33100 CMA
Stud Diameter	5 mm [.197 in]
Tongue Thickness	1.45 mm [.057 in]



Product Length	31.65 mm[1.246 in]
Barrel Inside Diameter	5.89 mm[.232 in]

Usage Conditions

Insulation Option	Uninsulated
Operating Temperature Range	170 °C[338 °F]

Operation/Application

Compatible With Wire Base Material	Copper
Compatible With Wire Plating Material	Tin

Industry Standards

Government Qualified Terminal	No
-------------------------------	----

Packaging Features

Packaging Quantity	100
Packaging Method	Loose Piece

Product Compliance

[For compliance documentation, visit the product page on TE.com>](#)

EU RoHS Directive 2011/65/EU	Compliant
EU ELV Directive 2000/53/EC	Compliant
China RoHS 2 Directive MIIT Order No 32, 2016	No Restricted Materials Above Threshold
EU REACH Regulation (EC) No. 1907/2006	Current ECHA Candidate List: JUNE 2023 (235) Candidate List Declared Against: JUNE 2023 (235) Does not contain REACH SVHC
Halogen Content	Low Halogen - Br, Cl, F, I < 900 ppm per homogenous material. Also BFR/CFR/PVC Free
Solder Process Capability	Not applicable for solder process capability

Product Compliance Disclaimer

This information is provided based on reasonable inquiry of our suppliers and represents our current actual knowledge based on the information they provided. This information is subject to change. The part numbers that TE has identified as EU RoHS compliant have a maximum concentration of 0.1% by weight in homogenous materials for lead, hexavalent chromium, mercury, PBB, PBDE, DBP, BBP, DEHP, DIBP, and 0.01% for cadmium, or qualify for an exemption to these limits as defined in the Annexes of Directive 2011/65/EU (RoHS2). Finished electrical and electronic equipment products will be CE marked as required by Directive 2011/65/EU. Components may not be CE marked. Additionally, the part numbers that TE has identified as EU ELV compliant have a maximum concentration of 0.1% by weight in homogenous materials for lead, hexavalent chromium, and mercury, and 0.01% for cadmium, or qualify for an exemption to these limits as defined in the Annexes of Directive 2000/53/EC (ELV). Regarding the REACH Regulation, the information TE provides

on SVHC in articles for this part number is based on the latest European Chemicals Agency (ECHA) 'Guidance on requirements for substances in articles' posted at this URL: <https://echa.europa.eu/guidance-documents/guidance-on-reach>

Compatible Parts

TE Part # 1490414-2
HYP10 SOLIS HD 6-4AWG INDENTER

TE Part # 601075
BANTAM ROTA-CRIMP TOOL

TE Part # 69217
HYP8/10 SOLIS 6AWG DIE SET

TE Part # 48127
HYP8 SOLIS 6-2AWG INDENTER

TE Part # 1490413-2
HYP10 SOLIS HD 8AWG NEST

TE Part # 600850
ROTO-CRIMP TOOL (ASI)

TE Part # 1901000-1
NEST #6

TE Part # 1901002-1
INDENTER, SOLISTRAND

TE Part # 48128
HYP8 SOLIS 6AWG NEST

TE Part # 68136
PNEU HT SOLIS 6 ASSY

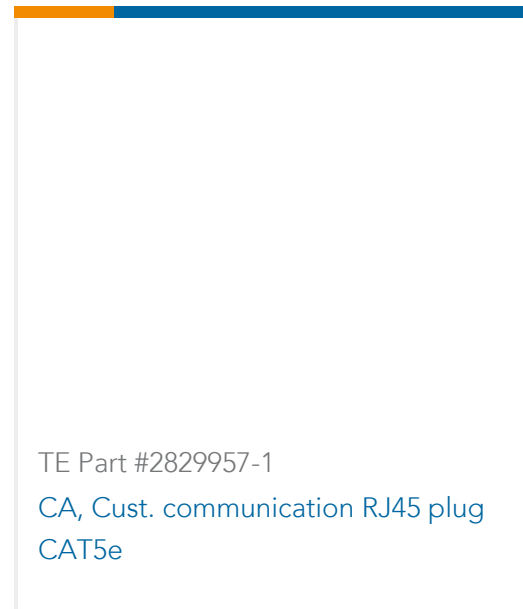
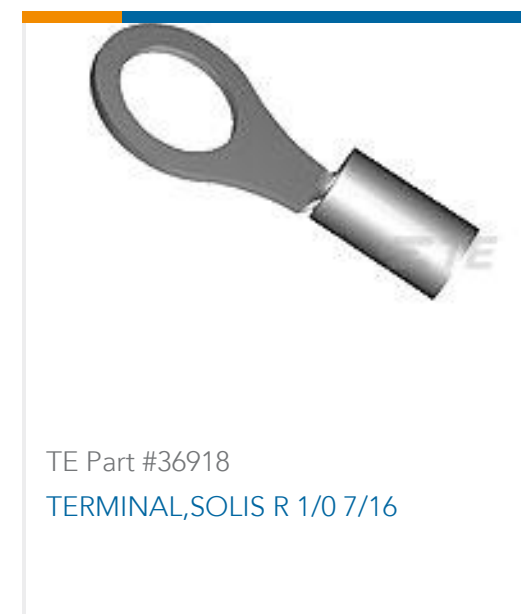
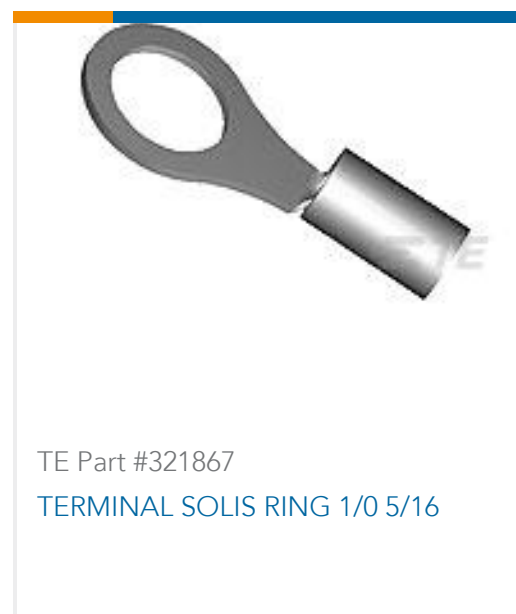
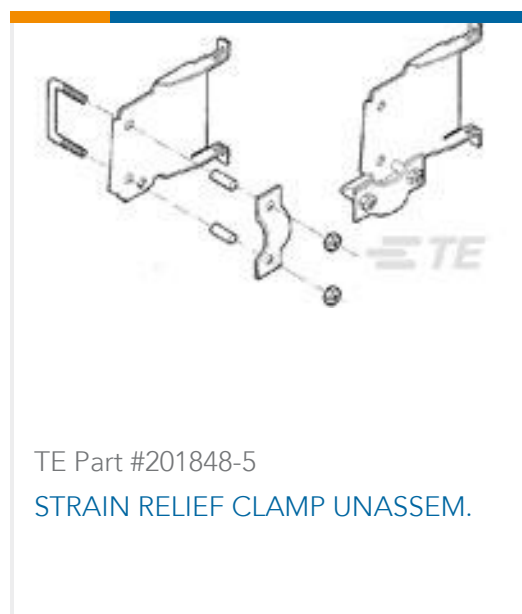
Customers Also Bought

TE Part #52927
PIDG SP SPD 22-16COMM22-18MIL4

TE Part #90384-1
HHHT TYPE XII MALE FEMALE 10 ASSY

TE Part #90382-2
HHHT TYPE XII 16-12 ASSY

TE Part #33465
TERMINAL,SOLIS R 6 1/4



Documents

Product Drawings

[TERMINAL,SOLIS R 6 10](#)

English

CAD Files

Customer View Model

[ENG_CVM_CVM_33464_AC.2d_dxf.zip](#)

English

[3D PDF](#)

3D

Customer View Model

[ENG_CVM_CVM_33464_AC.3d_igs.zip](#)

English

Customer View Model

[ENG_CVM_CVM_33464_AC.3d_stp.zip](#)

English

By downloading the CAD file I accept and agree to the [Terms and Conditions](#) of use.

Product Environmental Compliance

[MD_33464_07092013012_dmtec](#)

English

[MD_33464_07092013012_dmtec](#)

English

Agency Approvals

[UL Report](#)

English

33464

Closed Ring Tongue Terminal, 6 AWG, #10 Stud Size, 5 mm [.197 in] Stud Diameter,
Closed Barrel, Straight, Tin, Uninsulated



UL Report

English