

33460 ✓ ACTIVE

SOLISTRAND

TE Internal #: 33460

Closed Ring Tongue Terminal, 8 AWG, #10 Stud Size, 5 mm [.197 in] Stud Diameter, Closed Barrel, Straight, Tin, Uninsulated

[View on TE.com >](#)



Terminals & Splices > Ring Terminals



Ring Terminal Product Type: Closed Ring Tongue Terminal

Wire Size: 13100 – 20800 CMA

Stud Size: #10

### Features

#### Product Type Features

Ring Terminal Product Type	Closed Ring Tongue Terminal
Stud Size	#10
Sealable	No
Wire Insulation Support Retention Type	Non-Insulation Support

#### Configuration Features

Number of Holes	1
-----------------	---

#### Contact Features

Barrel Type	Closed
Terminal Orientation	Straight
Terminal Plating Material	Tin

#### Mechanical Attachment

Wire Insulation Support	Without
-------------------------	---------

#### Dimensions

Wire Size	13100 – 20800 CMA
Stud Diameter	5 mm [.197 in]
Tongue Thickness	1.22 mm [.048 in]



Product Length	23.7 mm[.933 in]
----------------	------------------

Barrel Inside Diameter	4.37 mm[.172 in]
------------------------	------------------

### Usage Conditions

Insulation Option	Uninsulated
-------------------	-------------

Operating Temperature Range	170 °C[338 °F]
-----------------------------	----------------

### Operation/Application

Compatible With Wire Base Material	Copper
------------------------------------	--------

Compatible With Wire Plating Material	Tin
---------------------------------------	-----

### Industry Standards

Government Qualified Terminal	No
-------------------------------	----

### Packaging Features

Packaging Quantity	100
--------------------	-----

Packaging Method	Loose Piece
------------------	-------------

### Product Compliance

[For compliance documentation, visit the product page on TE.com>](#)

EU RoHS Directive 2011/65/EU	Compliant
------------------------------	-----------

EU ELV Directive 2000/53/EC	Compliant
-----------------------------	-----------

China RoHS 2 Directive MIIT Order No 32, 2016	No Restricted Materials Above Threshold
---	---

EU REACH Regulation (EC) No. 1907/2006	Current ECHA Candidate List: JUNE 2023 (235) Candidate List Declared Against: JUNE 2023 (235) Does not contain REACH SVHC
--	---

Halogen Content	Low Halogen - Br, Cl, F, I < 900 ppm per homogenous material. Also BFR/CFR/PVC Free
-----------------	---

Solder Process Capability	Not applicable for solder process capability
---------------------------	--

#### Product Compliance Disclaimer


This information is provided based on reasonable inquiry of our suppliers and represents our current actual knowledge based on the information they provided. This information is subject to change. The part numbers that TE has identified as EU RoHS compliant have a maximum concentration of 0.1% by weight in homogenous materials for lead, hexavalent chromium, mercury, PBB, PBDE, DBP, BBP, DEHP, DIBP, and 0.01% for cadmium, or qualify for an exemption to these limits as defined in the Annexes of Directive 2011/65/EU (RoHS2). Finished electrical and electronic equipment products will be CE marked as required by Directive 2011/65/EU. Components may not be CE marked. Additionally, the part numbers that TE has identified as EU ELV compliant have a maximum concentration of 0.1% by weight in homogenous materials for lead, hexavalent chromium, and mercury, and 0.01% for cadmium, or qualify for an exemption to these limits as defined in the Annexes of Directive 2000/53/EC (ELV). Regarding the REACH Regulation, the information TE provides

on SVHC in articles for this part number is based on the latest European Chemicals Agency (ECHA) 'Guidance on requirements for substances in articles' posted at this URL: <https://echa.europa.eu/guidance-documents/guidance-on-reach>

## Compatible Parts



TE Part # 601075  
BANTAM ROTA-CRIMP TOOL



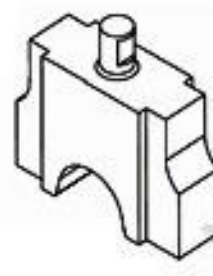
TE Part # 69355  
HHHT SOLIS SOLIS FLAG STRATO 8 ASSY




TE Part # 1490413-1  
HYP10 SOLIS 8AWG NEST



TE Part # 1490414-1  
HYP10 SOLIS 8AWG INDENTER



TE Part # 1901001-1  
NEST #8



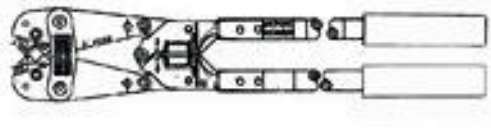
TE Part # 48355  
HYP8 SOLIS 8AWG INDENTER



TE Part # 69216  
HYP8/10 SOLIS 8AWG DIE SET



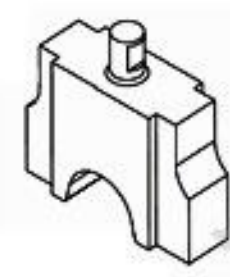
TE Part # 48126  
HYP8 SOLIS 8AWG NEST



TE Part # 600850  
ROTO-CRIMP TOOL (ASI)



TE Part # 69339  
HHHT SOLIS SOLIS FLAG STRATO 8 ASSY



TE Part # 1901002-2  
INDENTER, SOLISTRAND

## Customers Also Bought




TE Part #35771  
TERMINAL, SOLIS R 12-10 10



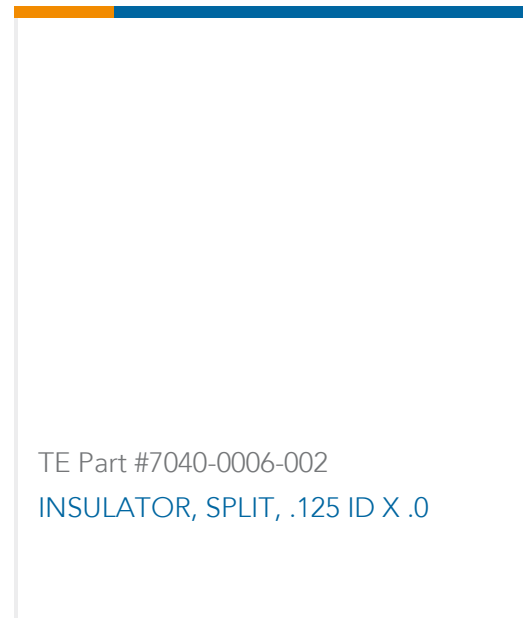
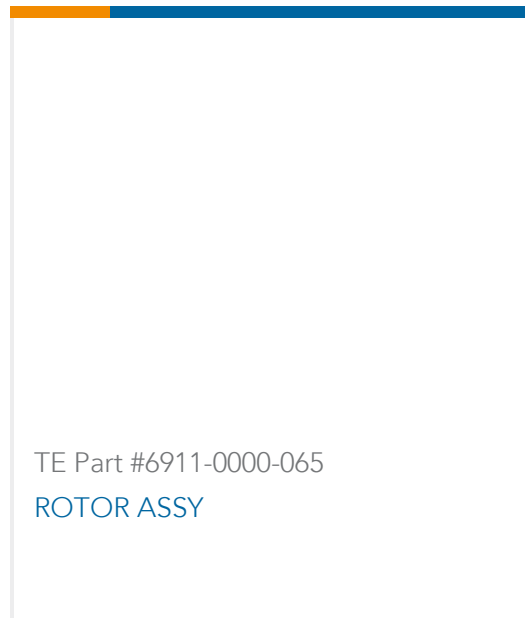
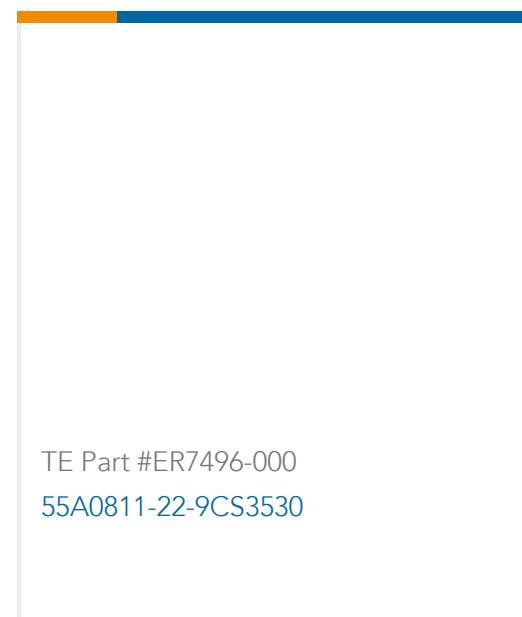
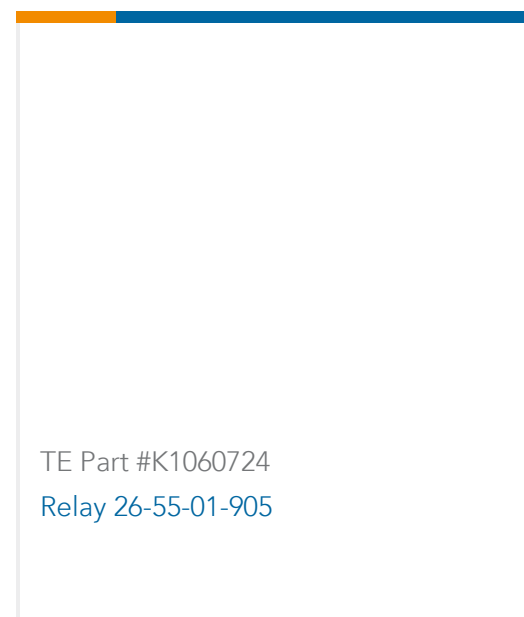
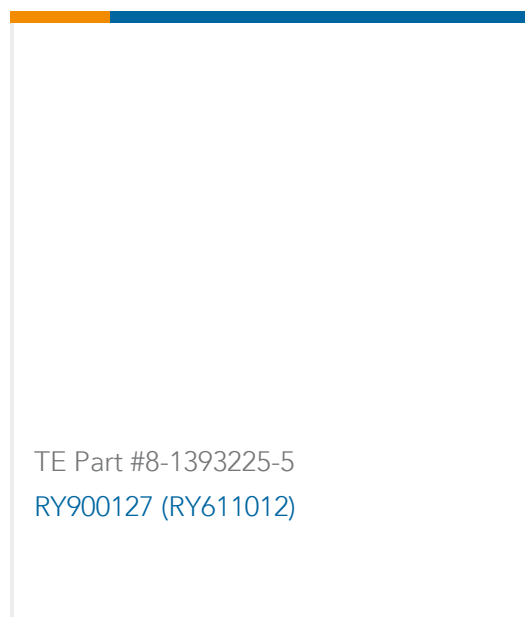
TE Part #3-1617033-1  
HFHW1230K06P = M39016/6-105P



TE Part #3-2176510-4  
CJP 500W 820R 5% Lead



TE Part #YDBC34H-1212PNV001  
HERM RECP



## Documents

### Product Drawings

[TERMINAL,SOLIS R 8 10](#)

English

### CAD Files

**Customer View Model**

[ENG\\_CVM\\_CVM\\_33460\\_V.2d\\_dxf.zip](#)

English

**3D PDF**

3D

**Customer View Model**

[ENG\\_CVM\\_CVM\\_33460\\_V.3d\\_igs.zip](#)

English

**Customer View Model**

[ENG\\_CVM\\_CVM\\_33460\\_V.3d\\_stp.zip](#)

English

By downloading the CAD file I accept and agree to the [Terms and Conditions](#) of use.

### Product Environmental Compliance

**Product Compliance Document**

English

**Product Compliance Document**

English

### Agency Approvals

**UL Report**

English

33460

Closed Ring Tongue Terminal, 8 AWG, #10 Stud Size, 5 mm [.197 in] Stud Diameter,  
Closed Barrel, Straight, Tin, Uninsulated



[UL Report](#)

English

[UL Report](#)

English