

331350 ✓ ACTIVE

AMP BNC

TE Internal #: 331350

BNC RF Interface, Plug, 50 Ω, RG 59B / RG 62A / RG 62B, Bayonet, 4 GHz Operating Frequency, 1 Position, Sealable, Wire & Cable, AMP BNC

[View on TE.com >](#)



Connectors > RF Connectors > Coax Connectors



RF Interface: **BNC**

RF Connector Style: **Plug**

RF Connector Mated Outer Diameter (Approximate): **14.53 mm [ .572 in ]**

Impedance: **50 Ω**

Compatible With RF Cable Type: **RG 59, RG 59A, RG 59B, RG 62, RG 62A, RG 62B**

**Features**

**Product Type Features**

Connector Seal & Plug Type	Interfacial Seal
RF Interface	BNC
RF Connector Style	Plug
Compatible With RF Cable Type	RG 59, RG 59A, RG 59B, RG 62, RG 62A, RG 62B
Sealable	Yes
Connector & Contact Terminates To	Wire & Cable

**Configuration Features**

Number of Positions	1
Number of Coaxial Contacts	1

**Electrical Characteristics**

Impedance	50 Ω
-----------	------

**Body Features**

Cable Connector Orientation	Straight
Body Material	Brass
Body Material Finish	Plated
Body Plating Material	Silver

**Contact Features**

--	--



RF Connector Center Contact Underplating Material	Copper
---	--------

Crimp Type	Dual
------------	------

RF Connector Center Contact Plating Material	Gold
--	------

RF Connector Center Contact Material	Brass
--------------------------------------	-------

### Termination Features

Termination Method to Wire & Cable	Crimp
------------------------------------	-------

### Mechanical Attachment

RF Connector Coupling Mechanism	Bayonet
---------------------------------	---------

RF Contact Captivation Method	Mechanical
-------------------------------	------------

### Dimensions

RF Connector Mated Outer Diameter (Approximate)	14.53 mm[.572 in]
---	-------------------

### Usage Conditions

Insulation Option	Uninsulated
-------------------	-------------

Operating Temperature Range	-65 – 165 °C[-85 – 329 °F]
-----------------------------	----------------------------

### Operation/Application

Operating Frequency	4 GHz
---------------------	-------

### Packaging Features

Packaging Method	Package
------------------	---------

### Other

Coupling Nut Base Material	Brass
----------------------------	-------

Grade	Military
-------	----------

Dielectric Material	PTFE
---------------------	------

### Product Compliance

[For compliance documentation, visit the product page on TE.com>](#)

EU RoHS Directive 2011/65/EU	Compliant
------------------------------	-----------

EU ELV Directive 2000/53/EC	Not Yet Reviewed
-----------------------------	------------------

China RoHS 2 Directive MIIT Order No 32, 2016	No Restricted Materials Above Threshold
---	---

EU REACH Regulation (EC) No. 1907/2006	Current ECHA Candidate List: JUNE 2023 (235) Candidate List Declared Against: JAN 2023 (233) SVHC > Threshold: Pb (3.7% in Component Part)
--	---



**Article Safe Usage Statements:**

Do not eat, drink or smoke when using this product. Wash thoroughly after handling. Recycle if possible and dispose of the article by following all applicable governmental regulations relevant to your geographic location.

Halogen Content

Low Halogen - Br, Cl, F, I < 900 ppm per homogenous material. Also BFR/CFR/PVC Free

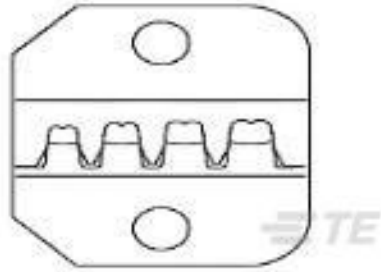
Solder Process Capability

Not applicable for solder process capability

**Product Compliance Disclaimer**

This information is provided based on reasonable inquiry of our suppliers and represents our current actual knowledge based on the information they provided. This information is subject to change. The part numbers that TE has identified as EU RoHS compliant have a maximum concentration of 0.1% by weight in homogenous materials for lead, hexavalent chromium, mercury, PBB, PBDE, DBP, BBP, DEHP, DIBP, and 0.01% for cadmium, or qualify for an exemption to these limits as defined in the Annexes of Directive 2011/65/EU (RoHS2). Finished electrical and electronic equipment products will be CE marked as required by Directive 2011/65/EU. Components may not be CE marked. Additionally, the part numbers that TE has identified as EU ELV compliant have a maximum concentration of 0.1% by weight in homogenous materials for lead, hexavalent chromium, and mercury, and 0.01% for cadmium, or qualify for an exemption to these limits as defined in the Annexes of Directive 2000/53/EC (ELV). Regarding the REACH Regulation, the information TE provides on SVHC in articles for this part number is based on the latest European Chemicals Agency (ECHA) 'Guidance on requirements for substances in articles' posted at this URL: <https://echa.europa.eu/guidance-documents/guidance-on-reach>

## Compatible Parts




TE Part # 58536-1  
PRO-CRIMPER DIE ASSEMBLY



TE Part # 58537-1  
PREM SDE DIE, COAXICON

## Also in the Series | AMP BNC



Coax Connectors(17)

## Customers Also Bought



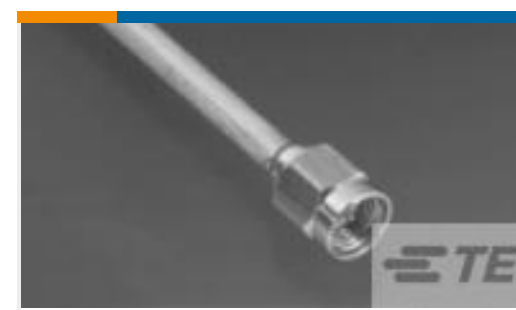
TE Part #6641710001  
TMS-SCE-1/4-2.0-9



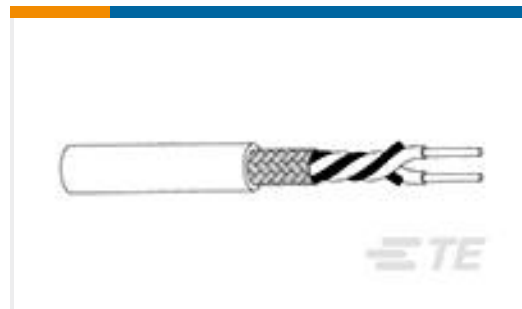
TE Part #3-643813-6  
06P MTA100 CONN ASSY POL RIB



TE Part #212618-1  
CONTACT PIN ASSY.



TE Part #1050548-1  
2001 5032 02



TE Part #008735-000  
0024G0024-9X



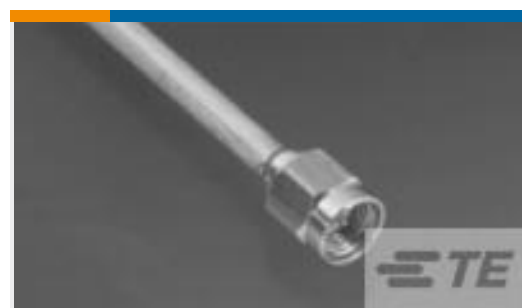
TE Part #1050859-1  
2002 5016 00



TE Part #221551-3  
FEEDTHRU,JACK,BNC,REPACKAGE



TE Part #957376-000  
S02-08-R-4



TE Part #1050525-1  
2001 5003 02,SMA CABLE PLUG



TE Part #450705-000  
S02-03-R

## Documents

### Product Drawings

#### BNC PLUG, PTFE

English

### CAD Files

#### Customer View Model

[ENG\\_CVM\\_CVM\\_331350\\_BR.2d\\_dxf.zip](#)

English

#### 3D PDF

3D

#### Customer View Model

[ENG\\_CVM\\_CVM\\_331350\\_BR.3d\\_igs.zip](#)

English

#### Customer View Model

[ENG\\_CVM\\_CVM\\_331350\\_BR.3d\\_stp.zip](#)

English

By downloading the CAD file I accept and agree to the [Terms and Conditions](#) of use.

### Instruction Sheets

331350

BNC RF Interface, Plug, 50  $\Omega$ , RG 59B / RG 62A / RG 62B, Bayonet, 4 GHz Operating Frequency, 1 Position, Sealable, Wire & Cable, AMP BNC



[COAXICON 50-Ohm RF Series BNC Plug Connectors 225395-\(\), 225886-\(\), and 331350-\(\)](#)

English

[Instruction Sheet \(U.S.\)](#)

English