

33114 ✓ ACTIVE

SOLISTRAND

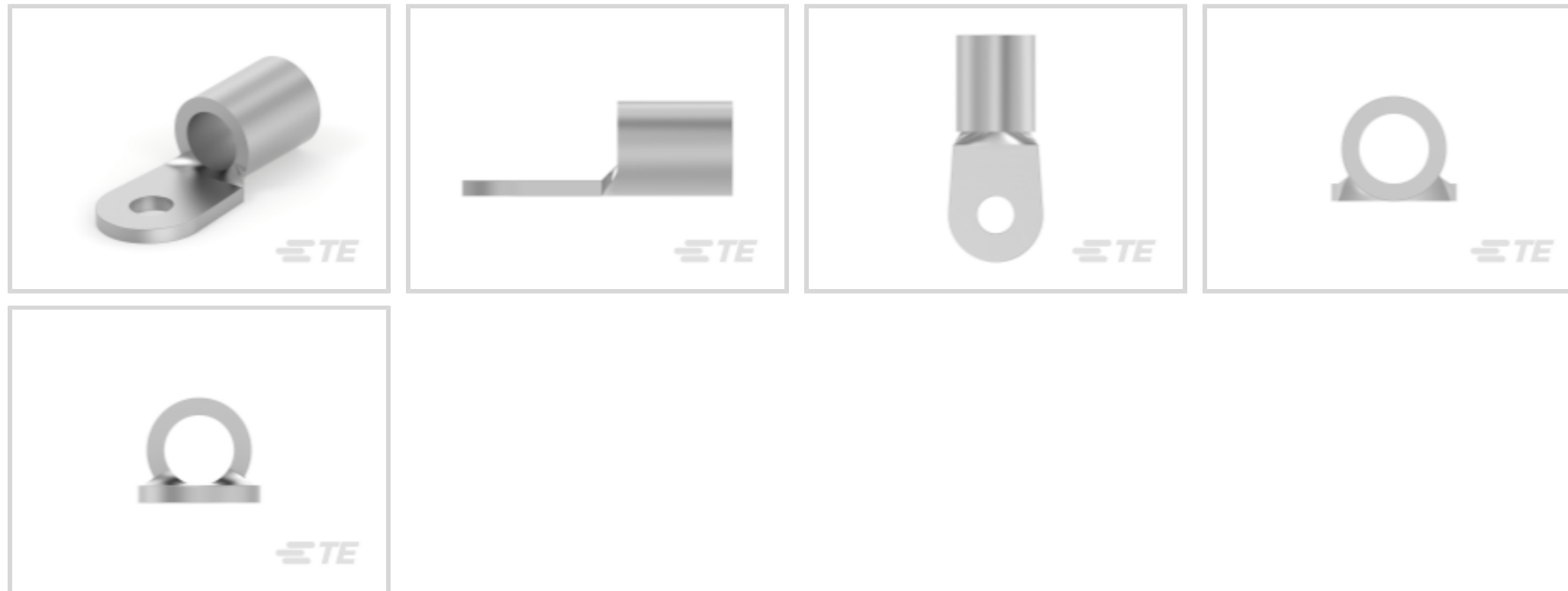
TE Internal #: 33114

Closed Ring Tongue Terminal, 4 AWG, #10 Stud Size, 5 mm [.197 in] Stud Diameter, Closed Barrel, Straight, Tin, Uninsulated

[View on TE.com >](#)



Terminals & Splices > Ring Terminals



Ring Terminal Product Type: Closed Ring Tongue Terminal

Wire Size: 33100 – 52600 CMA

Stud Size: #10

Features

Product Type Features

Ring Terminal Product Type	Closed Ring Tongue Terminal
Stud Size	#10
Sealable	No
Wire Insulation Support Retention Type	Non-Insulation Support

Configuration Features

Number of Holes	1
-----------------	---

Contact Features

Barrel Type	Closed
Terminal Orientation	Straight
Terminal Plating Material	Tin

Mechanical Attachment

Wire Insulation Support	Without
-------------------------	---------

Dimensions

Wire Size	33100 – 52600 CMA
Stud Diameter	5 mm [.197 in]
Tongue Thickness	1.78 mm [.07 in]

Product Length	30.45 mm[1.199 in]
----------------	--------------------

Barrel Inside Diameter	7.11 mm[.28 in]
------------------------	-----------------

Usage Conditions

Insulation Option	Uninsulated
-------------------	-------------

Operating Temperature Range	170 °C[338 °F]
-----------------------------	----------------

Operation/Application

Compatible With Wire Base Material	Copper
------------------------------------	--------

Compatible With Wire Plating Material	Tin
---------------------------------------	-----

Industry Standards

Government Qualified Terminal	No
-------------------------------	----

Packaging Features

Packaging Quantity	100
--------------------	-----

Packaging Method	Loose Piece
------------------	-------------

Product Compliance

[For compliance documentation, visit the product page on TE.com>](#)

EU RoHS Directive 2011/65/EU	Compliant
------------------------------	-----------

EU ELV Directive 2000/53/EC	Compliant
-----------------------------	-----------

China RoHS 2 Directive MIIT Order No 32, 2016	No Restricted Materials Above Threshold
---	---

EU REACH Regulation (EC) No. 1907/2006	Current ECHA Candidate List: JUNE 2023 (235) Candidate List Declared Against: JUNE 2023 (235) Does not contain REACH SVHC
--	---

Halogen Content	Low Halogen - Br, Cl, F, I < 900 ppm per homogenous material. Also BFR/CFR/PVC Free
-----------------	---

Solder Process Capability	Not applicable for solder process capability
---------------------------	--

Product Compliance Disclaimer

This information is provided based on reasonable inquiry of our suppliers and represents our current actual knowledge based on the information they provided. This information is subject to change. The part numbers that TE has identified as EU RoHS compliant have a maximum concentration of 0.1% by weight in homogenous materials for lead, hexavalent chromium, mercury, PBB, PBDE, DBP, BBP, DEHP, DIBP, and 0.01% for cadmium, or qualify for an exemption to these limits as defined in the Annexes of Directive 2011/65/EU (RoHS2). Finished electrical and electronic equipment products will be CE marked as required by Directive 2011/65/EU. Components may not be CE marked. Additionally, the part numbers that TE has identified as EU ELV compliant have a maximum concentration of 0.1% by weight in homogenous materials for lead, hexavalent chromium, and mercury, and 0.01% for cadmium, or qualify for an exemption to these limits as defined in the Annexes of Directive 2000/53/EC (ELV). Regarding the REACH Regulation, the information TE provides

on SVHC in articles for this part number is based on the latest European Chemicals Agency (ECHA) 'Guidance on requirements for substances in articles' posted at this URL: <https://echa.europa.eu/guidance-documents/guidance-on-reach>

Compatible Parts



TE Part # 1490413-3
HYP10 SOLIS 4AWG NEST



TE Part # 1490414-2
HYP10 SOLIS HD 6-4AWG INDENTER



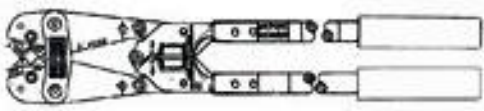
TE Part # 601075
BANTAM ROTA-CRIMP TOOL



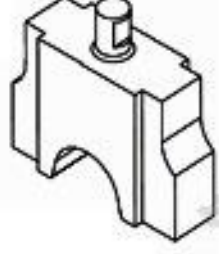
TE Part # 48127
HYP8 SOLIS 6-2AWG INDENTER



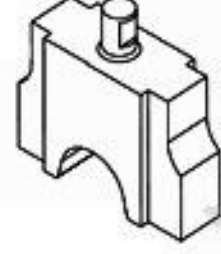
TE Part # 69218
HYP8/10 SOLIS 4AWG DIE SET



TE Part # 600850
ROTO-CRIMP TOOL (ASI)



TE Part # 1901000-2
NEST #4



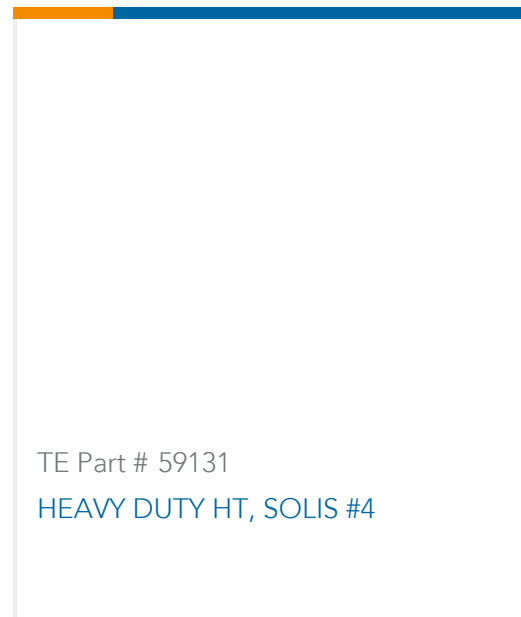
TE Part # 1901002-1
INDENTER, SOLISTRAND



TE Part # 48129
HYP8 SOLIS 4AWG NEST



TE Part # 4-1618415-5
CAP120RBXNG = CONTACTOR, SPST-NO W/AUX



TE Part # 59131
HEAVY DUTY HT, SOLIS #4

Customers Also Bought



TE Part #1-1879453-9
TE 1000W 33R 5% Bracket



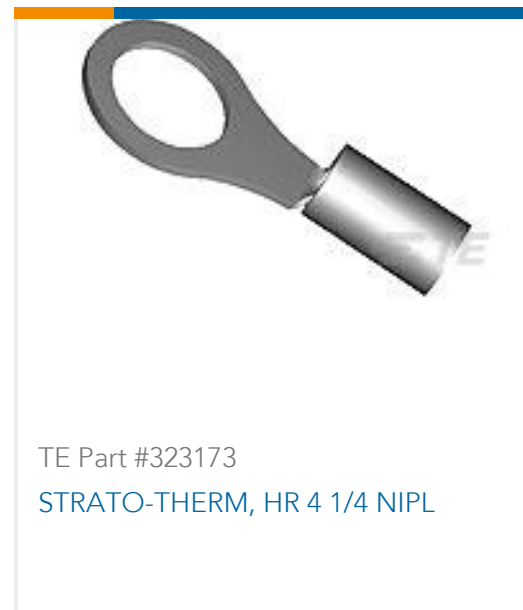
TE Part #6650384-3
286-0052-12301A=TA CONN,SKT



TE Part #31123
BODY,RING TONGUE 12-10 5/16



TE Part #5-66461-9
SKT,.062 DIA,.025 SQ POST,LP



Documents

Product Drawings

[TERMINAL,SOLIS R 4 10](#)

English

CAD Files

Customer View Model

[ENG_CVM_CVM_33114_Z.2d_dxf.zip](#)

English

Customer View Model

[ENG_CVM_CVM_33114_Z.3d_stp.zip](#)

English

[3D PDF](#)

3D

Customer View Model

[ENG_CVM_CVM_33114_Z.3d_igs.zip](#)

English

By downloading the CAD file I accept and agree to the [Terms and Conditions](#) of use.

Product Environmental Compliance

[MD_33114_09272012139](#)

English

[MD_33114_09272012139](#)

English

Agency Approvals

[UL Report](#)

English

33114

Closed Ring Tongue Terminal, 4 AWG, #10 Stud Size, 5 mm [.197 in] Stud Diameter,
Closed Barrel, Straight, Tin, Uninsulated



UL Report

English