

329251 ✓ ACTIVE

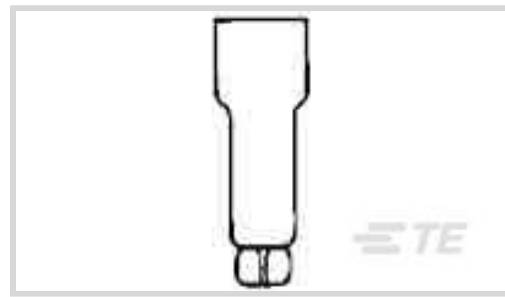
TE Internal #: 329251

Splices, Closed End Splice, 22 – 12 AWG Wire Size, .3 – 3 mm² Wire Size, 3.248 – 11.4 kcmil Wire Size, 3248 – 11400 CMA Wire Size, Copper

[View on TE.com >](#)



Terminals & Splices > Splices



Wire Size: 3.248 – 11.4 kcmil

Sealable: No

Compatible Insulation Diameter Range: 9.14 mm [.36 in]

Features

Product Type Features

Splice Accessory Type	Splice
Sealable	No
Splice Type	Closed End Splice
Compatible With Discrete Wire Type	Stranded
Wire Insulation Support Retention Type	Insulation Support

Configuration Features

Compatible With Wire & Cable Type	Discrete Wire
-----------------------------------	---------------

Electrical Characteristics

Operating Voltage	600 V
-------------------	-------

Body Features

Insulation Material	PVC
---------------------	-----

Contact Features

Terminal Plating Material	Tin
Contact Base Material	Copper
Barrel Type	Closed

Mechanical Attachment

Wire Insulation Support	With
-------------------------	------

Dimensions

Recovered Inside Diameter	3.68 mm[.145 in]
Outside Diameter	9.14 mm[.36 in]



Wire Size	3248 – 11400 CMA
Compatible Insulation Diameter Range	9.14 mm[.36 in]
Terminal Material Thickness	.71 mm[.028 in]
Product Length	28.19 mm[1.11 in]

Usage Conditions

Insulation Option	Fully Insulated
Operating Temperature Range	105 °C[221 °F]

Operation/Application

Compatible With Wire Base Material	Copper
------------------------------------	--------

Identification Marking

Splice Marking	ECV
----------------	-----

Industry Standards

Government Qualified Splice	No
-----------------------------	----

Packaging Features

Packaging Quantity	1000
Packaging Method	Loose Piece

Other

Terminals & Splices Comment	ECV-600V Max. Building Wiring. 1000V Max. Fixtures & Signs, 105°C UL, 90°C CSA., For stranded wire only.
-----------------------------	--

Product Compliance

[For compliance documentation, visit the product page on TE.com>](#)

EU RoHS Directive 2011/65/EU	Compliant
EU ELV Directive 2000/53/EC	Compliant
China RoHS 2 Directive MIIT Order No 32, 2016	No Restricted Materials Above Threshold
EU REACH Regulation (EC) No. 1907/2006	Current ECHA Candidate List: JUNE 2023 (235) Candidate List Declared Against: JUNE 2023 (235) Does not contain REACH SVHC
Halogen Content	Not Low Halogen - contains Br or Cl > 900 ppm.
Solder Process Capability	Not applicable for solder process capability

Product Compliance Disclaimer

This information is provided based on reasonable inquiry of our suppliers and represents our current actual knowledge based on the information they provided. This information is subject to change. The part numbers that TE has identified as EU RoHS compliant have a maximum concentration of 0.1% by weight in homogenous materials for lead, hexavalent chromium, mercury, PBB, PBDE, DBP, BBP, DEHP, DIBP, and 0.01% for cadmium, or qualify for an exemption to these limits as defined in the Annexes of Directive 2011/65/EU (RoHS2). Finished electrical and electronic equipment products will be CE marked as required by Directive 2011/65/EU. Components may not be CE marked. Additionally, the part numbers that TE has identified as EU ELV compliant have a maximum concentration of 0.1% by weight in homogenous materials for lead, hexavalent chromium, and mercury, and 0.01% for cadmium, or qualify for an exemption to these limits as defined in the Annexes of Directive 2000/53/EC (ELV). Regarding the REACH Regulation, the information TE provides on SVHC in articles for this part number is based on the latest European Chemicals Agency (ECHA) 'Guidance on requirements for substances in articles' posted at this URL: <https://echa.europa.eu/guidance-documents/guidance-on-reach>

Compatible Parts



TE Part # 46866
SAHT ECECV PVF2 CLSD END SPLC
22-10 ASSY



TE Part # 217212-1
PRO-CR ASSY, CES



TE Part # 2217484-1
KIT, BTLI, HEAVY HEAD



TE Part # 2217484-2
KIT, BTLI, HEAVY HEAD

Customers Also Bought



TE Part #T4110001031-000
M12 Field Installable Unshielded



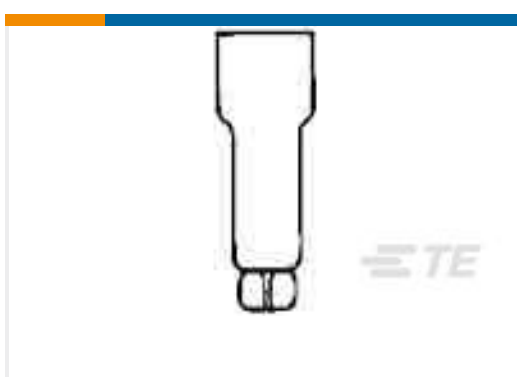
TE Part #2-32562-1
PIDG SPDFLG 22-16COMM22-18MIL6



TE Part #770849-7
07P SL156 HSG W/LCK RMP & TABS



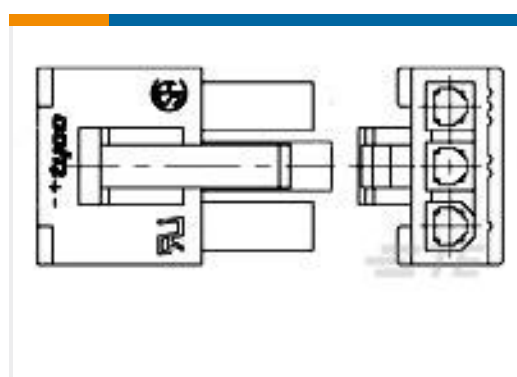
TE Part #7-1393116-2
KUMP-11D18-24=KU-



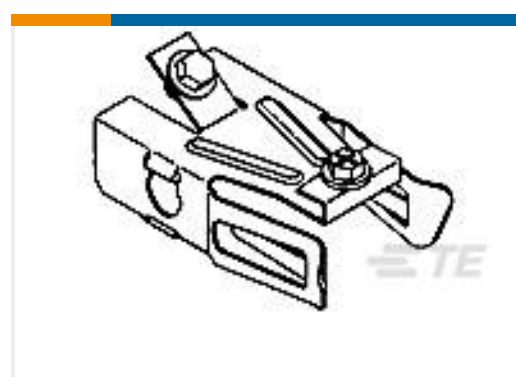
TE Part #55843-1
SPLICE, CE 22-14



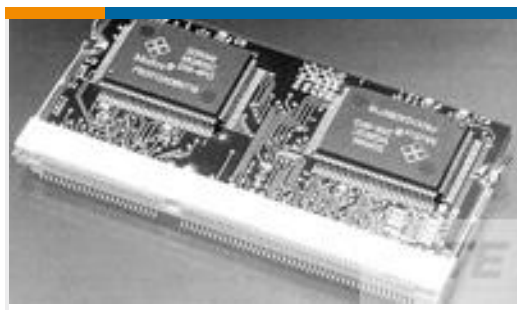
TE Part #52949-1
PG SPR SPD 22-16COMM 22-18MIL6



TE Part #2029112-3
3P RCPT SR VAL-U-LOK GW



TE Part #640750-1
HEAVY DUTY BURNER CLIP ST



TE Part #390322-1
SKT,SODIMM,144P,SDRAM3.3V,U.HI

Documents

Product Drawings

[SPLICE, CE, 22-12](#)

English

CAD Files

[3D PDF](#)

3D

Customer View Model

[ENG_CVM_CVM_329251_AH.2d_dxf.zip](#)

English

Customer View Model

[ENG_CVM_CVM_329251_AH.3d_igs.zip](#)

English

Customer View Model

[ENG_CVM_CVM_329251_AH.3d_stp.zip](#)

English

Customer View Model

[ENG_CVM_329251_U.3d_igs.zip](#)

English

Customer View Model

[ENG_CVM_329251_U.3d_stp.zip](#)

English

Customer View Model

[ENG_CVM_329251_U.2d_dxf.zip](#)

English

[3D PDF](#)

English

By downloading the CAD file I accept and agree to the [Terms and Conditions](#) of use.

Product Specifications

[Application Specification](#)

English

Product Environmental Compliance

[MD_329251_050320181325_dmtec](#)

English



[MD_329251_050320181325_dmtec](#)

English

Instruction Sheets

[Instruction Sheet \(U.S.\)](#)

English

Agency Approvals

[Agency Approval Document](#)

English