

328730 ✓ ACTIVE

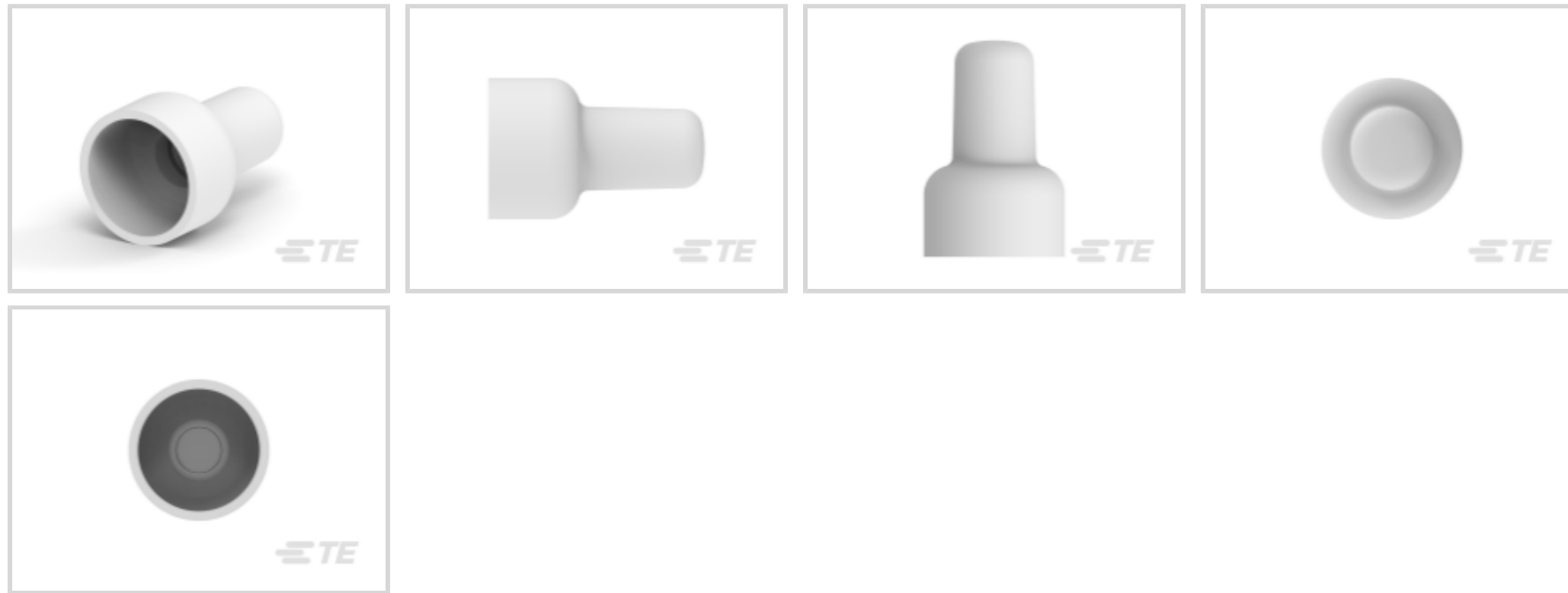
TE Internal #: 328730

Splices, Closed End Splice, 22 – 10 AWG Wire Size, .3 – 6 mm<sup>2</sup> Wire Size, .145 in [3.68 mm] Barrel Inside Diameter, 3.248 – 13.1 kcmil Wire Size

[View on TE.com >](#)



Terminals & Splices > Splices



Wire Size: .3 – 6 mm<sup>2</sup>

Sealable: No

Compatible Insulation Diameter Range: 9.53 mm [ .375 in ]

Barrel Inside Diameter: 3.68 mm [ .145 in ]

## Features

### Product Type Features

Splice Accessory Type	Splice
Sealable	No
Splice Type	Closed End Splice
Compatible With Discrete Wire Type	Solid, Stranded
Wire Insulation Support Retention Type	Insulation Support

### Configuration Features

Compatible With Wire & Cable Type	Discrete Wire
-----------------------------------	---------------

### Electrical Characteristics

Operating Voltage	600 V
-------------------	-------

### Body Features

Insulation Material	Nylon
---------------------	-------

### Contact Features

Terminal Plating Material	Tin
Contact Base Material	Copper
Barrel Type	Closed

### Mechanical Attachment

Wire Insulation Support	With
-------------------------	------

### Dimensions

Outside Diameter	11.58 mm[.456 in]
Wire Size	3248 – 13100 CMA
Compatible Insulation Diameter Range	9.53 mm[.375 in]
Barrel Inside Diameter	3.68 mm[.145 in]
Terminal Material Thickness	.55 mm[.022 in]
Product Length	18.29 mm[.72 in]

### Usage Conditions

Insulation Option	Fully Insulated
Operating Temperature Range	105 °C[221 °F]

### Operation/Application

Compatible With Wire Base Material	Copper
------------------------------------	--------

### Identification Marking

Splice Marking	EC
----------------	----

### Industry Standards

Government Qualified Splice	No
-----------------------------	----

### Packaging Features

Packaging Quantity	2000
Packaging Method	Loose Piece

### Other

Terminals & Splices Comment	EC-600V Max. Building Wiring. 1000V Max. Fixtures & Signs, 105°C.
-----------------------------	---

### Product Compliance

[For compliance documentation, visit the product page on TE.com>](#)

EU RoHS Directive 2011/65/EU	Compliant
EU ELV Directive 2000/53/EC	Compliant
China RoHS 2 Directive MIIT Order No 32, 2016	No Restricted Materials Above Threshold
EU REACH Regulation (EC) No. 1907/2006	Current ECHA Candidate List: JUNE 2023 (235)



Candidate List Declared Against: JUNE 2023 (235)  
Does not contain REACH SVHC

Halogen Content	Low Halogen - Br, Cl, F, I < 900 ppm per homogenous material. Also BFR/CFR/PVC Free
Solder Process Capability	Not applicable for solder process capability

Product Compliance Disclaimer

This information is provided based on reasonable inquiry of our suppliers and represents our current actual knowledge based on the information they provided. This information is subject to change. The part numbers that TE has identified as EU RoHS compliant have a maximum concentration of 0.1% by weight in homogenous materials for lead, hexavalent chromium, mercury, PBB, PBDE, DBP, BBP, DEHP, DIBP, and 0.01% for cadmium, or qualify for an exemption to these limits as defined in the Annexes of Directive 2011/65/EU (RoHS2). Finished electrical and electronic equipment products will be CE marked as required by Directive 2011/65/EU. Components may not be CE marked. Additionally, the part numbers that TE has identified as EU ELV compliant have a maximum concentration of 0.1% by weight in homogenous materials for lead, hexavalent chromium, and mercury, and 0.01% for cadmium, or qualify for an exemption to these limits as defined in the Annexes of Directive 2000/53/EC (ELV). Regarding the REACH Regulation, the information TE provides on SVHC in articles for this part number is based on the latest European Chemicals Agency (ECHA) 'Guidance on requirements for substances in articles' posted at this URL: <https://echa.europa.eu/guidance-documents/guidance-on-reach>

### Compatible Parts




TE Part # 46866  
SAHT ECECV PVF2 CLSD END SPLC 22-10 ASSY



TE Part # 217212-1  
PRO-CR ASSY, CES



TE Part # 217212-2  
PRO-CR DIE, CES



TE Part # 2217484-1  
KIT, BTLI, HEAVY HEAD



TE Part # 2217484-2  
KIT, BTLI, HEAVY HEAD

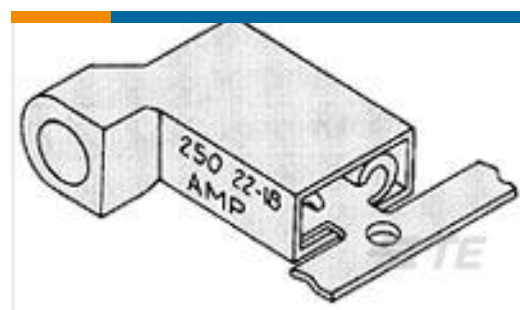


TE Part # 5-1377173-9  
SMP 0-0328730-0

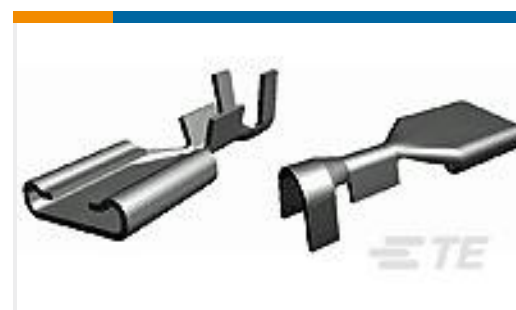
### Customers Also Bought



TE Part #2213194-1  
LUMAWISE LED HOLDER OPTIC CLIP  
Z50 TYPE1



TE Part #3-520340-2  
ULTRA-FAST 187 ASY REC 16-14 AWG  
TPBR



TE Part #61202-1  
250 FASTON REC 26-22 AWG BR



TE Part #CB5383-000  
SST-48-20/226



TE Part #42566-1  
187 FASTON REC 20-16 AWG BR



TE Part #2120340-1  
PLASTIC HOOD / KIT



TE Part #1-1776302-2  
TSB100012DS=EUROPA TM BLK,  
12MM



TE Part #5-2158000-1  
RZHH-1A4-D012-EX1



TE Part #2-1103634-3  
HE.6.STI.C

## Documents

### Product Drawings

[SPLICE,N CE 22-10](#)

English

### CAD Files

[3D PDF](#)

3D

Customer View Model

[ENG\\_CVM\\_CVM\\_328730\\_AG.2d\\_dxf.zip](#)

English

Customer View Model

[ENG\\_CVM\\_CVM\\_328730\\_AG.3d\\_igs.zip](#)

English

Customer View Model

[ENG\\_CVM\\_CVM\\_328730\\_AG.3d\\_stp.zip](#)

English

[3D PDF](#)

English



**Customer View Model**

[ENG\\_CVM\\_328730\\_AD.2d\\_dxf.zip](#)

English

**Customer View Model**

[ENG\\_CVM\\_328730\\_AD.3d\\_igs.zip](#)

English

**Customer View Model**

[ENG\\_CVM\\_328730\\_AD.3d\\_stp.zip](#)

English

By downloading the CAD file I accept and agree to the [Terms and Conditions](#) of use.

---

**Product Specifications**

[Application Specification](#)

English

---

**Product Environmental Compliance**

[MD\\_328730\\_081020172228\\_dmtec](#)

English

[MD\\_328730\\_081020172228\\_dmtec](#)

English

---

**Instruction Sheets**

[Instruction Sheet \(U.S.\)](#)

English

---

**Agency Approvals**

[Agency Approval Document](#)

English