



**PIDG**

TE Internal #: 327639

Splices, Butt Splice, 12 – 10 AWG / 22 – 18 AWG Wire Size, .26 – .96 mm<sup>2</sup> / 2.62 – 6.64 mm<sup>2</sup> Wire Size, Serrated, Copper, Yellow - Translucent, PIDG

[View on TE.com >](#)

Terminals & Splices > Splices > PIDG Stepdown Butt Splices



Wire Size: .26 – .96 mm<sup>2</sup>, 2.62 – 6.64 mm<sup>2</sup>

Sealable: No

Splice Features: **Serrated**

Contact Base Material: **Copper**

[All PIDG Stepdown Butt Splices \(6\)](#)

**Features**

**Product Type Features**

Splice Accessory Type	Splice
Sealable	No
Splice Type	Butt Splice
Compatible With Discrete Wire Type	Stranded
Wire Insulation Support Retention Type	Insulation Support

**Configuration Features**

Number of Serrations	8
Compatible With Wire & Cable Type	Discrete Wire

**Electrical Characteristics**

Operating Voltage	300 V
-------------------	-------

**Body Features**

Insulation Type	Pre-Insulated
Insulation Material	Nylon
Splice Features	Serrated
Primary Product Color	Yellow - Translucent

**Contact Features**

--	--



Terminal Plating Material	Tin
Contact Base Material	Copper
Barrel Type	Closed

### Mechanical Attachment

Wire Insulation Support	With
-------------------------	------

### Dimensions

Recovered Inside Diameter	1.5 mm[.059 in]
Outside Diameter	5.64 mm[.222 in]
Wire Size	.26 – .96 mm <sup>2</sup> , 2.62 – 6.64 mm <sup>2</sup>
Terminal Material Thickness	.51 mm[.02 in]
Product Length	42.06 mm[1.656 in]

### Usage Conditions

Insulation Option	Fully Insulated
Operating Temperature Range	105 °C[221 °F]

### Industry Standards

Government Qualified Splice	No
-----------------------------	----

### Packaging Features

Packaging Quantity	50
Packaging Method	Loose Piece

### Product Compliance

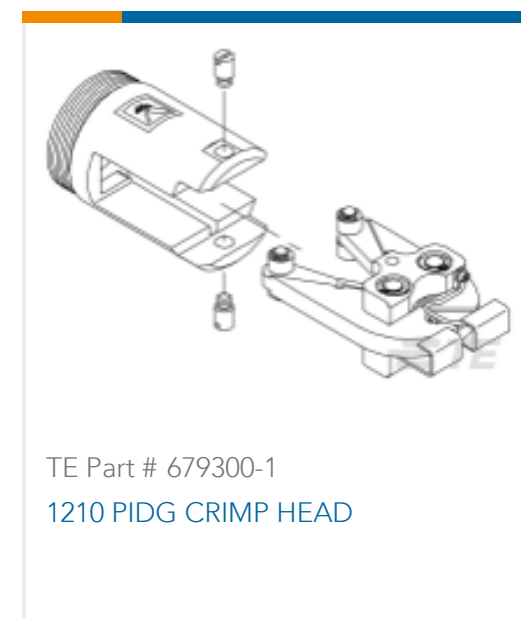
[For compliance documentation, visit the product page on TE.com>](#)

EU RoHS Directive 2011/65/EU	Compliant
EU ELV Directive 2000/53/EC	Compliant
China RoHS 2 Directive MIIT Order No 32, 2016	No Restricted Materials Above Threshold
EU REACH Regulation (EC) No. 1907/2006	Current ECHA Candidate List: JUNE 2023 (235) Candidate List Declared Against: JAN 2023 (233) Does not contain REACH SVHC
Halogen Content	Low Halogen - Br, Cl, F, I < 900 ppm per homogenous material. Also BFR/CFR/PVC Free
Solder Process Capability	Not applicable for solder process capability

## Product Compliance Disclaimer

This information is provided based on reasonable inquiry of our suppliers and represents our current actual knowledge based on the information they provided. This information is subject to change. The part numbers that TE has identified as EU RoHS compliant have a maximum concentration of 0.1% by weight in homogenous materials for lead, hexavalent chromium, mercury, PBB, PBDE, DBP, BBP, DEHP, DIBP, and 0.01% for cadmium, or qualify for an exemption to these limits as defined in the Annexes of Directive 2011/65/EU (RoHS2). Finished electrical and electronic equipment products will be CE marked as required by Directive 2011/65/EU. Components may not be CE marked. Additionally, the part numbers that TE has identified as EU ELV compliant have a maximum concentration of 0.1% by weight in homogenous materials for lead, hexavalent chromium, and mercury, and 0.01% for cadmium, or qualify for an exemption to these limits as defined in the Annexes of Directive 2000/53/EC (ELV). Regarding the REACH Regulation, the information TE provides on SVHC in articles for this part number is based on the latest European Chemicals Agency (ECHA) 'Guidance on requirements for substances in articles' posted at this URL: <https://echa.europa.eu/guidance-documents/guidance-on-reach>

## Compatible Parts



## Also in the Series | PIDG



Compression Connectors(17)



Crimp Terminal Housings(1)



Crimp Wire Pins, Tabs & Ferrules(41)



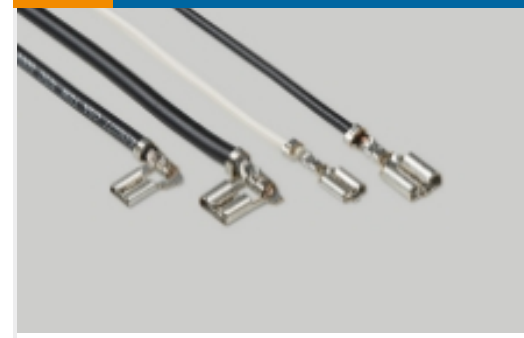
Hand Crimping Tools(2)



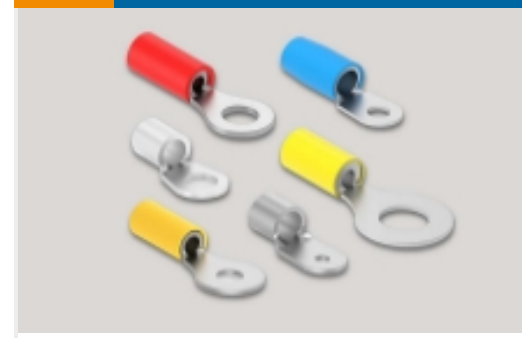
Knife Disconnects(11)



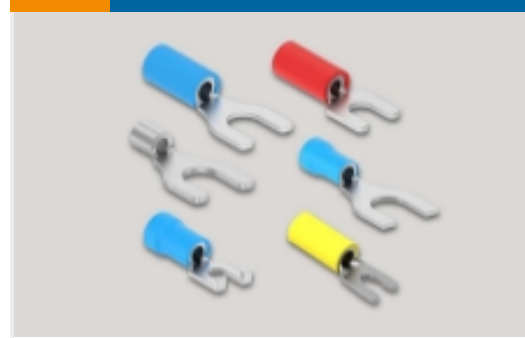
PCB Terminals(7)



Quick Disconnects(49)



Ring Terminals(607)



Spade Terminals(231)



Special Purpose Terminals(1)



Splices(45)

## Customers Also Bought



TE Part #54312-1  
TERMINAL,PIDG R 26-24 10



TE Part #53549-1  
SPLICE BUTT PVF2 PIDG 16-14



TE Part #CJ1922-000  
222K121-12/225-0



TE Part #10211285-00  
GROVE TSY01\_DPP201G000



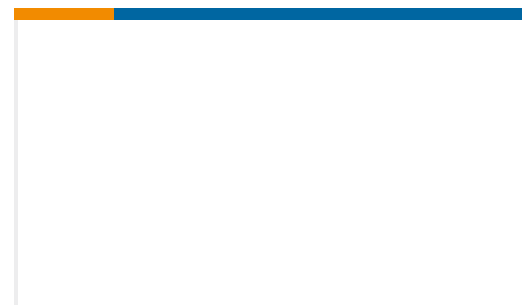
TE Part #55679-1  
TERMINAL,R PG 6 1/4



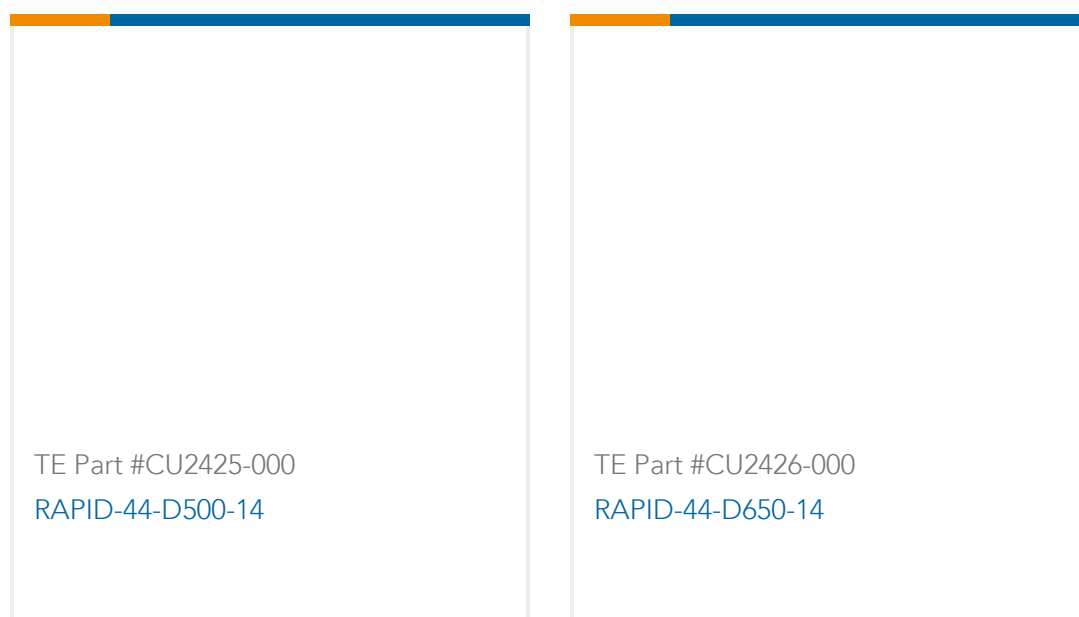
TE Part #2-592404-1  
5000-027-0020



TE Part #133596-2  
KIT, CONTACT, TWINAX, ARINC 404



TE Part #CU2424-000  
RAPID-44-D320-14



## Documents

### Product Drawings

#### SPLICE BUTT PIDG 12-10/22-18

English

### CAD Files

#### 3D PDF

3D

#### Customer View Model

[ENG\\_CVM\\_CVM\\_327639\\_H.2d\\_dxf.zip](#)

English

#### Customer View Model

[ENG\\_CVM\\_CVM\\_327639\\_H.3d\\_igs.zip](#)

English

#### Customer View Model

[ENG\\_CVM\\_CVM\\_327639\\_H.3d\\_stp.zip](#)

English

#### 3D PDF

English

#### Customer View Model

[ENG\\_CVM\\_327639\\_H1.3d\\_igs.zip](#)

English

#### Customer View Model

[ENG\\_CVM\\_327639\\_H1.3d\\_stp.zip](#)

English

#### Customer View Model

[ENG\\_CVM\\_327639\\_H1.2d\\_dxf.zip](#)

English

By downloading the CAD file I accept and agree to the [Terms and Conditions](#) of use.

### Datasheets & Catalog Pages

#### PIDG TERMINALS & SPLICES Quick Reference Guide

English

### Product Specifications

#### Application Specification

English



---

### Product Environmental Compliance

[MD\\_327639\\_06092014741\\_dmtec](#)

English

[MD\\_327639\\_06092014741\\_dmtec](#)

English

---

### Instruction Sheets

[Instruction Sheet \(U.S.\)](#)

English

---

### Agency Approvals

[UL Report](#)

English