



**AMPOWER**

TE Internal #: 325603-2

Rectangular Tongue Terminal, 0000 AWG, 3/8 Stud Size, 9.91 mm [.39 in] Stud Diameter, Closed Barrel, Straight, Tin, Uninsulated, AMPOWER

[View on TE.com >](#)

Terminals & Splices > Spade Terminals > AMPOWER Lug Crimp Terminal, 1 Stud Hole



Spade Terminal Type: **Rectangular Tongue Terminal**

Wire Size: **190000 – 231000 CMA**

Stud Size: **3/8**

[All AMPOWER Lug Crimp Terminal, 1 Stud Hole \(51\)](#)

**Features**

**Product Type Features**

Stud Size	3/8
Sealable	No

**Configuration Features**

Number of Holes	1
-----------------	---

**Body Features**

Product Weight	41.49 g
----------------	---------

**Contact Features**

Military Part Class	Class II
Spade Terminal Type	Rectangular Tongue Terminal
Barrel Type	Closed
Terminal Orientation	Straight
Terminal Plating Material	Tin

**Mechanical Attachment**

Wire Insulation Support	Without
-------------------------	---------

**Dimensions**

Wire Size	190000 – 231000 CMA
Stud Diameter	9.91 mm [.39 in]



Tongue Thickness	3.3 mm[.13 in]
Product Length	62.23 mm[2.45 in]
Barrel Inside Diameter	20.5 mm[.807 in]

### Usage Conditions

Insulation Option	Uninsulated
Operating Temperature Range	-55 – 105 °C[-67 – 221 °F]

### Operation/Application

Compatible With Wire Base Material	Copper
Compatible With Wire Plating Material	Tin

### Industry Standards

Government Qualified Terminal	No
-------------------------------	----

### Packaging Features

Packaging Quantity	50
Packaging Method	Box

### Other

Terminals & Splices Comment	Electrodeposited Tin Plate per MIL-T-10727.
-----------------------------	---

## Product Compliance

[For compliance documentation, visit the product page on TE.com>](#)

EU RoHS Directive 2011/65/EU	Compliant
EU ELV Directive 2000/53/EC	Compliant
China RoHS 2 Directive MIIT Order No 32, 2016	No Restricted Materials Above Threshold
EU REACH Regulation (EC) No. 1907/2006	Current ECHA Candidate List: JUNE 2023 (235) Candidate List Declared Against: JUL 2021 (219) Does not contain REACH SVHC
Halogen Content	Low Halogen - Br, Cl, F, I < 900 ppm per homogenous material. Also BFR/CFR/PVC Free
Solder Process Capability	Not applicable for solder process capability

#### Product Compliance Disclaimer

This information is provided based on reasonable inquiry of our suppliers and represents our current actual knowledge based on the information they provided. This information is subject to change. The part numbers that TE has identified as EU RoHS compliant have a maximum concentration of 0.1% by weight in homogenous materials for lead, hexavalent

chromium, mercury, PBB, PBDE, DBP, BBP, DEHP, DIBP, and 0.01% for cadmium, or qualify for an exemption to these limits as defined in the Annexes of Directive 2011/65/EU (RoHS2). Finished electrical and electronic equipment products will be CE marked as required by Directive 2011/65/EU. Components may not be CE marked. Additionally, the part numbers that TE has identified as EU ELV compliant have a maximum concentration of 0.1% by weight in homogenous materials for lead, hexavalent chromium, and mercury, and 0.01% for cadmium, or qualify for an exemption to these limits as defined in the Annexes of Directive 2000/53/EC (ELV). Regarding the REACH Regulation, the information TE provides on SVHC in articles for this part number is based on the latest European Chemicals Agency (ECHA) 'Guidance on requirements for substances in articles' posted at this URL: <https://echa.europa.eu/guidance-documents/guidance-on-reach>

## Compatible Parts



TE Part # 46750-2  
HYP8 AMPOWER 4/0AWG DIE SET

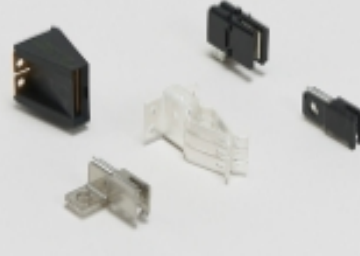


TE Part # 1583098-1  
DIE ASSY,AMPOWER,4/0




TE Part # 46325-2  
HYP8 AMPOWER 4/0AWG 69065 DIE SET

## Also in the Series | AMPOWER




Busbar Connectors(13)




Knife Disconnects(13)




PCB Headers & Receptacles(2)




Power Cable Assemblies(7)



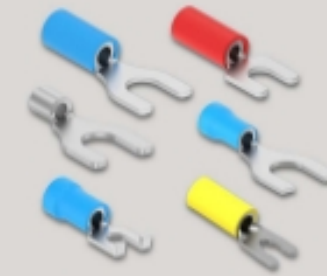
Power Contacts(1)



Quick Disconnects(1)



Rectangular Power Connectors(6)

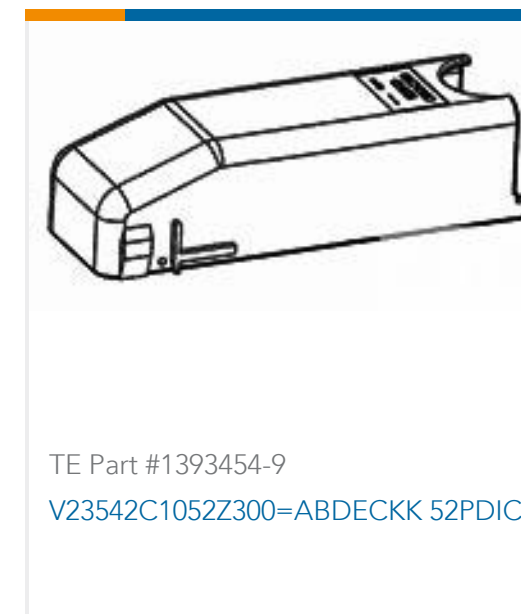
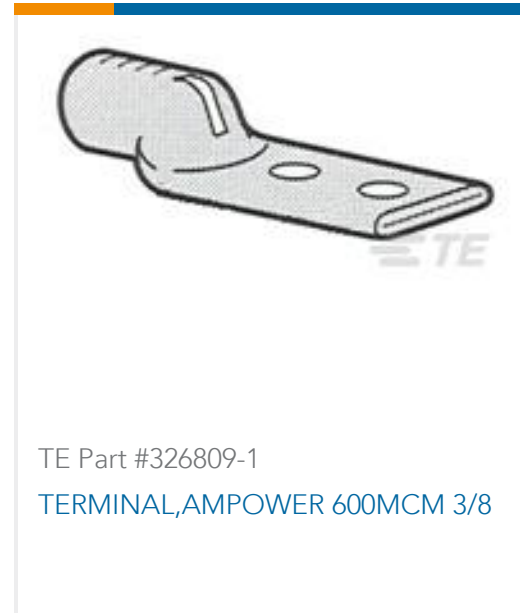


Spade Terminals(137)



Splices(39)

## Customers Also Bought



## Documents

### Product Drawings

[TERMINAL, AMPPOWER 4/0](#)

English

### CAD Files

[3D PDF](#)

3D

Customer View Model

[ENG\\_CVM\\_CVM\\_325603-2\\_AG.2d\\_dxf.zip](#)

English

Customer View Model

[ENG\\_CVM\\_CVM\\_325603-2\\_AG.3d\\_igs.zip](#)

English

Customer View Model

[ENG\\_CVM\\_CVM\\_325603-2\\_AG.3d\\_stp.zip](#)

English

By downloading the CAD file I accept and agree to the [Terms and Conditions](#) of use.



### Datasheets & Catalog Pages

[AMPOWER Terminals and Splices Flyer](#)

English

---

### Product Specifications

[Application Specification](#)

English

---

### Instruction Sheets

[Instruction Sheet \(U.S.\)](#)

English

---

### Agency Approvals

[UL Report](#)

English