

325212001-00 ✓ ACTIVE

MEAS | MEAS MS52XX

TE Internal #: 325212001-00

mV Output Pressure Sensors, Gauge, 12000 mbar, 12 bar, Output /Span 150mV, $\pm 0.05/0.15\%$ F.S. Non-Linearity, Supply Voltage 5 V, MEAS MS52XX

[View on TE.com >](#)



Sensors > Pressure Sensors > Board Mount Pressure Sensors > 0-1 AND 12 BAR MV OUTPUT PRESSURE SENSOR



Board Level Pressure Sensor Type: **mV Output Pressure Sensors**

Board Level Pressure Sensor Style: **Gauge**

Pressure: **12 bar**

Proof Pressure Range: **10 bar**

[All 0-1 AND 12 BAR MV OUTPUT PRESSURE SENSOR \(1\)](#)

Features

Product Type Features

Board Level Pressure Sensor Type	mV Output Pressure Sensors
Board Level Pressure Sensor Style	Gauge

Electrical Characteristics

Board Level Pressure Sensor Supply Voltage	5 V
--------------------------------------------	-----

Dimensions

Dimensions	7.6 x 7.6 mm [.3 x .3 in]
------------	---------------------------

Usage Conditions

Pressure	12 bar
Operating Temperature Range	-40 – 125 °C [-40 – 257 °F]

Operation/Application

Pressure	12000 mbar
Proof Pressure Range	10 bar
Output/Span	150mV
Board Level Pressure Sensor Accuracy	$\pm 0.05/0.15\%$ F.S. Non-Linearity

Packaging Features

Board Level Pressure Sensor Package	Surface Mountable
-------------------------------------	-------------------



Other

Sensor Options	High Linearity with Transparent Gel
----------------	-------------------------------------

Product Compliance

[For compliance documentation, visit the product page on TE.com>](#)

EU RoHS Directive 2011/65/EU	Not Yet Reviewed
EU ELV Directive 2000/53/EC	Not Yet Reviewed
China RoHS 2 Directive MIIT Order No 32, 2016	Not reviewed for China RoHS compliance
EU REACH Regulation (EC) No. 1907/2006	Current ECHA Candidate List: JUNE 2023 (235) Not Yet Reviewed
Halogen Content	Not Yet Reviewed for halogen content
Solder Process Capability	Not reviewed for solder process capability

Product Compliance Disclaimer

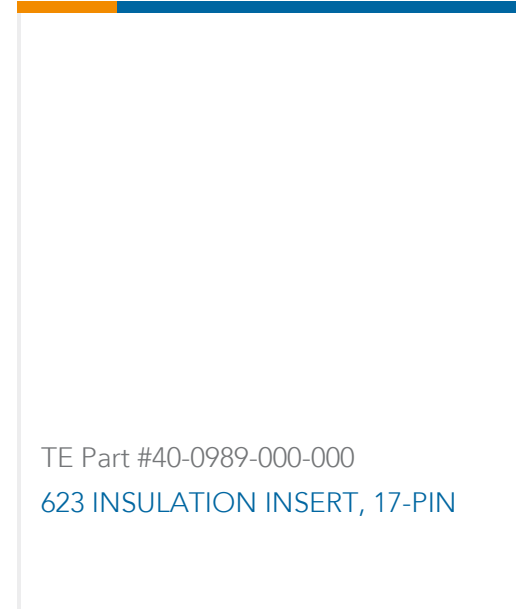
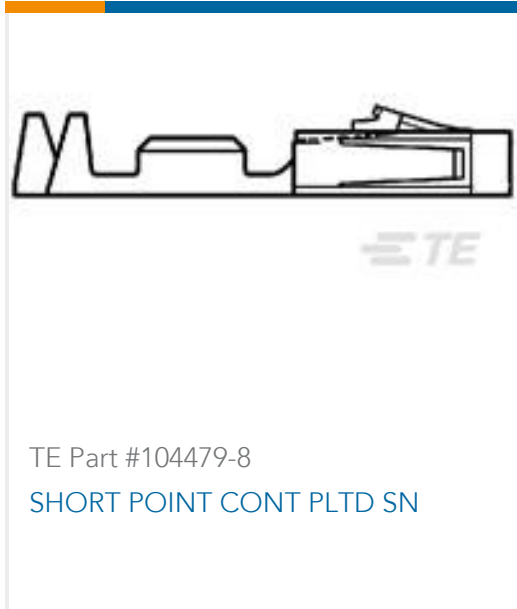
This information is provided based on reasonable inquiry of our suppliers and represents our current actual knowledge based on the information they provided. This information is subject to change. The part numbers that TE has identified as EU RoHS compliant have a maximum concentration of 0.1% by weight in homogenous materials for lead, hexavalent chromium, mercury, PBB, PBDE, DBP, BBP, DEHP, DIBP, and 0.01% for cadmium, or qualify for an exemption to these limits as defined in the Annexes of Directive 2011/65/EU (RoHS2). Finished electrical and electronic equipment products will be CE marked as required by Directive 2011/65/EU. Components may not be CE marked. Additionally, the part numbers that TE has identified as EU ELV compliant have a maximum concentration of 0.1% by weight in homogenous materials for lead, hexavalent chromium, and mercury, and 0.01% for cadmium, or qualify for an exemption to these limits as defined in the Annexes of Directive 2000/53/EC (ELV). Regarding the REACH Regulations, TE's information on SVHC in articles for this part number is still based on the European Chemical Agency (ECHA) 'Guidance on requirements for substances in articles'(Version: 2, April 2011), applying the 0.1% weight on weight concentration threshold at the finished product level. TE is aware of the European Court of Justice ruling of September 10th, 2015 also known as O5A (Once An Article Always An Article) stating that, in case of 'complex object', the threshold for a SVHC must be applied to both the product as a whole and simultaneously to each of the articles forming part of its composition. TE has evaluated this ruling based on the new ECHA "Guidance on requirements for substances in articles" (June 2017, version 4.0) and will be updating its statements accordingly.

Also in the Series | **MEAS MS52XX**



Board Mount Pressure Sensors(1)

Customers Also Bought



Documents

Datasheets & Catalog Pages

[Data sheet](#)

English

[DA52XX](#)

English