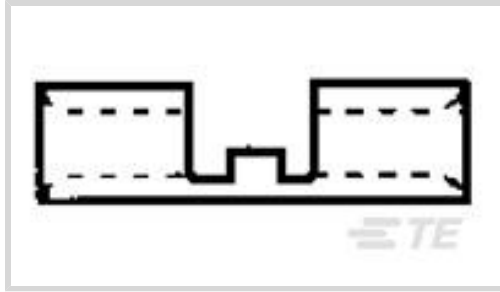


324369 ✓ ACTIVE

TE Internal #: 324369

TE Internal Description: SOLIS 26-22 S-T HR BUTT, AU

[View on TE.com >](#)



Product Compliance

[For compliance documentation, visit the product page on TE.com>](#)

EU RoHS Directive 2011/65/EU	Compliant
EU ELV Directive 2000/53/EC	Compliant
China RoHS 2 Directive MIIT Order No 32, 2016	No Restricted Materials Above Threshold
EU REACH Regulation (EC) No. 1907/2006	Current ECHA Candidate List: JUNE 2023 (235) Candidate List Declared Against: JUNE 2023 (235) Does not contain REACH SVHC
Halogen Content	Low Halogen - Br, Cl, F, I < 900 ppm per homogenous material. Also BFR/CFR/PVC Free
Solder Process Capability	Not applicable for solder process capability

Product Compliance Disclaimer

This information is provided based on reasonable inquiry of our suppliers and represents our current actual knowledge based on the information they provided. This information is subject to change. The part numbers that TE has identified as EU RoHS compliant have a maximum concentration of 0.1% by weight in homogenous materials for lead, hexavalent chromium, mercury, PBB, PBDE, DBP, BBP, DEHP, DIBP, and 0.01% for cadmium, or qualify for an exemption to these limits as defined in the Annexes of Directive 2011/65/EU (RoHS2). Finished electrical and electronic equipment products will be CE marked as required by Directive 2011/65/EU. Components may not be CE marked. Additionally, the part numbers that TE has identified as EU ELV compliant have a maximum concentration of 0.1% by weight in homogenous materials for lead, hexavalent chromium, and mercury, and 0.01% for cadmium, or qualify for an exemption to these limits as defined in the Annexes of Directive 2000/53/EC (ELV). Regarding the REACH Regulation, the information TE provides on SVHC in articles for this part number is based on the latest European Chemicals Agency (ECHA) 'Guidance on requirements for substances in articles' posted at this URL: <https://echa.europa.eu/guidance-documents/guidance-on-reach>

Compatible Parts



Customers Also Bought



TE Part #206801-2
AMPLIMITE RECEPT ASY, 25 POS



TE Part #207252-2
PLUG ASSY, SZ 1, AMPLIMITE



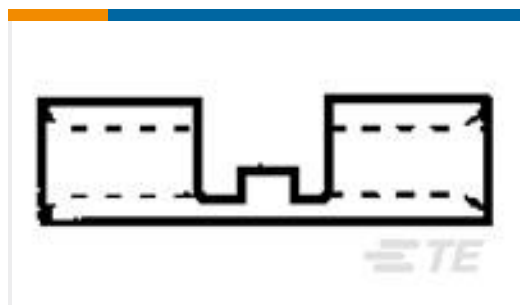
TE Part #1676221-1
RN 0805 1K0 0.1% 10PPM CUT
LENGTH



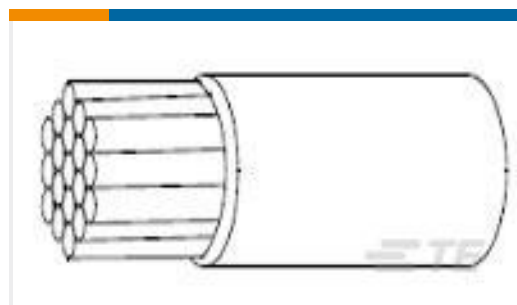
TE Part #NB16412001
RW-175-1/8-X-STK



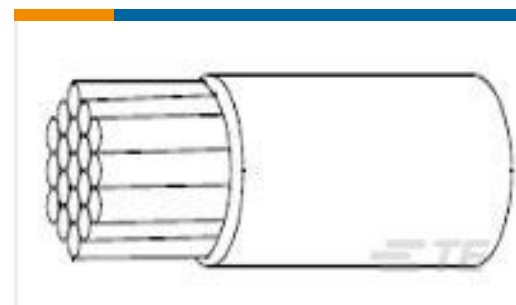
TE Part #206803-2
AMPLIMITE RECEPT ASY, 37 POS,



TE Part #322822
SOLIS BUTT HR 22-16COM22-18MIL



TE Part #821205-000
22759/44-24-9



TE Part #828183-000
22759/44-20-9

Documents

Product Drawings

SOLIS 26-22 S-T HR BUTT, AU

English

CAD Files

3D PDF

3D

Customer View Model

[ENG_CVM_CVM_324369_H.2d_dxf.zip](#)

English

Customer View Model

[ENG_CVM_CVM_324369_H.3d_igs.zip](#)

English

Customer View Model

[ENG_CVM_CVM_324369_H.3d_stp.zip](#)

English

By downloading the CAD file I accept and agree to the [Terms and Conditions](#) of use.