

324225 ✓ ACTIVE



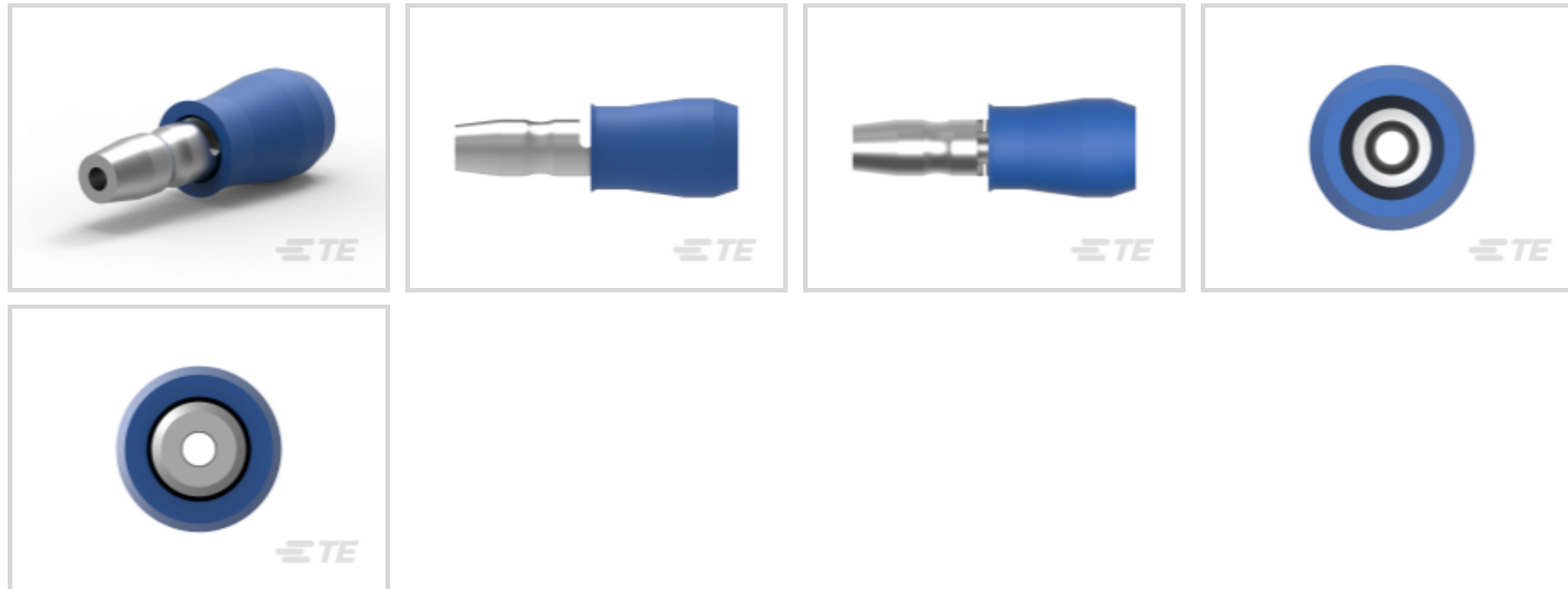
PIDG

TE Internal #: 324225

Crimp Wire Pins, Tabs & Ferrules, Shur-Plug, Mating Pin Diameter 4.09 mm [.161 in], 16 – 14 AWG Wire Size, 1.25 – 2 mm² Wire Size, PIDG

[View on TE.com >](#)

Terminals & Splices > Crimp Wire Pins, Tabs & Ferrules > PIDG Shur Plugs



Crimp Wire Terminal Type: **Shur-Plug**

Mating Pin Diameter: **4.09 mm [.161 in]**

Compatible Insulation Diameter Range: **2.92 – 4.32 mm, 4.32 mm [.115 – .17 in, .17 in]**

Wire Size: **1.25 – 2 mm²**

[All PIDG Shur Plugs \(7\)](#)

Features

Product Type Features

Sealable	No
Compatible With Discrete Wire Type	Solid, Stranded
Wire Insulation Support Retention Type	Insulation Support

Configuration Features

Compatible With Wire & Cable Type	Discrete Wire
-----------------------------------	---------------

Body Features

Insulation Material	Nylon
Primary Product Color	Blue

Contact Features

Crimp Wire Terminal Type	Shur-Plug
Mating Pin Diameter	4.09 mm [.161 in]
Barrel Type	Closed
Terminal Plating Material	Tin



Contact Shape & Form	Round
----------------------	-------

Terminal Orientation	Straight
----------------------	----------

Termination Features

Termination Method to Wire & Cable	Crimp
------------------------------------	-------

Mechanical Attachment

Wire Insulation Support	With
-------------------------	------

Dimensions

Compatible Insulation Diameter Range	2.92 – 4.32 mm, 4.32 mm [.115 – .17 in] [.17 in]
--------------------------------------	--

Wire Size	2582 – 4106 CMA
-----------	-----------------

Terminal Material Thickness	.79 mm [.031 in]
-----------------------------	------------------

Overall Product Length	20.07 mm [.8 in]
------------------------	------------------

Usage Conditions

Insulation Option	Partially Insulated
-------------------	---------------------

Operating Temperature Range	105 °C [221 °F]
-----------------------------	-----------------

Packaging Features

Packaging Quantity	1000
--------------------	------

Packaging Method	Carton
------------------	--------

Product Compliance

[For compliance documentation, visit the product page on TE.com>](#)

EU RoHS Directive 2011/65/EU	Compliant
------------------------------	-----------

EU ELV Directive 2000/53/EC	Compliant
-----------------------------	-----------

China RoHS 2 Directive MIIT Order No 32, 2016	No Restricted Materials Above Threshold
---	---

EU REACH Regulation (EC) No. 1907/2006	Current ECHA Candidate List: JUNE 2023 (235) Candidate List Declared Against: JUNE 2023 (235) Does not contain REACH SVHC
--	---

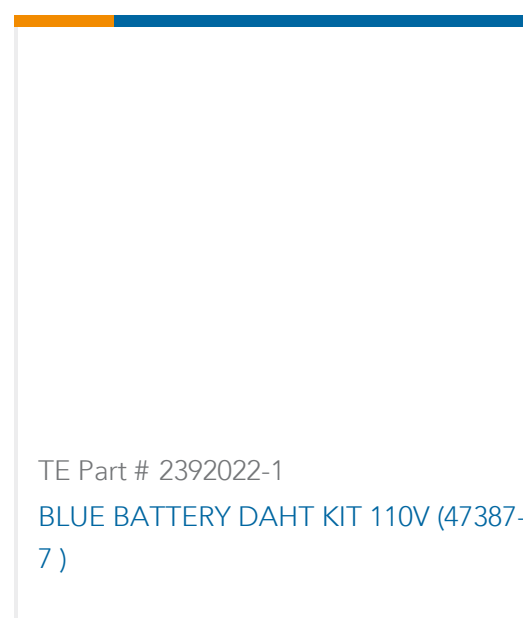
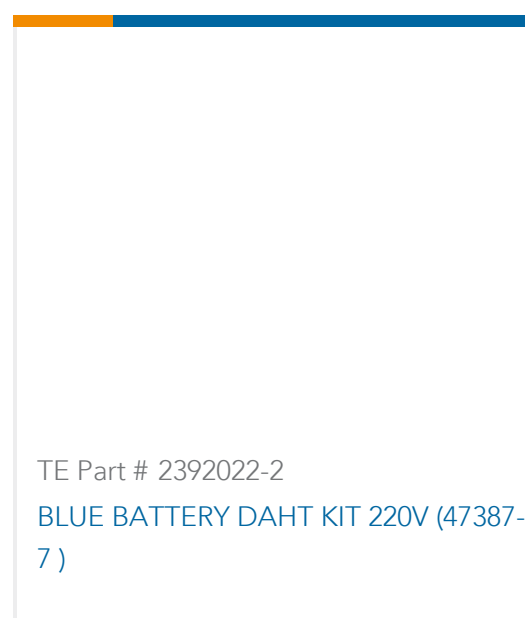
Halogen Content	Low Halogen - Br, Cl, F, I < 900 ppm per homogenous material. Also BFR/CFR/PVC Free
-----------------	---

Solder Process Capability	Not applicable for solder process capability
---------------------------	--

Product Compliance Disclaimer

This information is provided based on reasonable inquiry of our suppliers and represents our current actual knowledge based on the information they provided. This information is subject to change. The part numbers that TE has identified as EU RoHS compliant have a maximum concentration of 0.1% by weight in homogenous materials for lead, hexavalent chromium, mercury, PBB, PBDE, DBP, BBP, DEHP, DIBP, and 0.01% for cadmium, or qualify for an exemption to these limits as defined in the Annexes of Directive 2011/65/EU (RoHS2). Finished electrical and electronic equipment products will be CE marked as required by Directive 2011/65/EU. Components may not be CE marked. Additionally, the part numbers that TE has identified as EU ELV compliant have a maximum concentration of 0.1% by weight in homogenous materials for lead, hexavalent chromium, and mercury, and 0.01% for cadmium, or qualify for an exemption to these limits as defined in the Annexes of Directive 2000/53/EC (ELV). Regarding the REACH Regulation, the information TE provides on SVHC in articles for this part number is based on the latest European Chemicals Agency (ECHA) 'Guidance on requirements for substances in articles' posted at this URL: <https://echa.europa.eu/guidance-documents/guidance-on-reach>

Compatible Parts



Also in the Series | **PIDG**



Compression Connectors(17)



Crimp Terminal Housings(1)



Crimp Wire Pins, Tabs & Ferrules(41)



Hand Crimping Tools(2)



Knife Disconnects(11)



PCB Terminals(7)



Quick Disconnects(49)



Ring Terminals(607)



Spade Terminals(231)

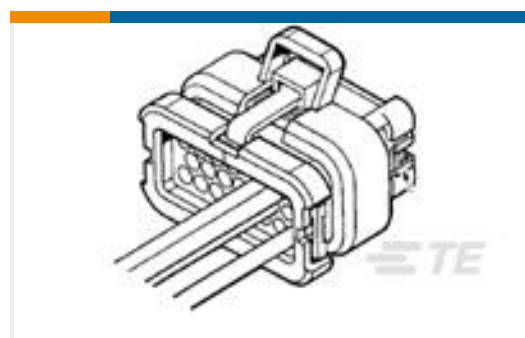


Special Purpose Terminals(1)



Splices(45)

Customers Also Bought



TE Part #776273-1
14POS,AMPSEAL,SOC HSG ASSY,SLD,
COD 1



TE Part #DTP06-2S
PLG, 2P, GRY, N



TE Part #2270025-1
SOLARLOK PV4-S DC Crimp
Connectors



TE Part #W2SA
WEDGE LOCK, 2P, PLG, GRY, STD,
DT, A



TE Part #T4033014031-000
M8.FMLE.PNLFRONT.3POS.STR



TE Part #2-1437565-8
FSM2JSMAA=TACTILE 260G FORCE S



TE Part #2329359-1
PN OFF/ON HC BLK M1 TERM IP68
500MM LHS



TE Part #344848-000
SO63-5-00



Documents

Product Drawings

[PLUG,SHUR PIDG 16-14](#)

English

CAD Files

[3D PDF](#)

3D

Customer View Model

[ENG_CVM_CVM_324225_J.2d_dxf.zip](#)

English

Customer View Model

[ENG_CVM_CVM_324225_J.3d_igs.zip](#)

English

Customer View Model

[ENG_CVM_CVM_324225_J.3d_stp.zip](#)

English

Customer View Model

[ENG_CVM_324225_H.3d_igs.zip](#)

English

Customer View Model

[ENG_CVM_324225_H.3d_stp.zip](#)

English

Customer View Model

[ENG_CVM_324225_H.2d_dxf.zip](#)

English

[3D PDF](#)

English

By downloading the CAD file I accept and agree to the [Terms and Conditions](#) of use.

Datasheets & Catalog Pages

[PIDG Terminals and Splices Quick Reference Guide](#)

English

[PIDG TERMINALS & SPLICES Quick Reference Guide](#)

English

[Standard Terminals & Splices](#)

324225

Crimp Wire Pins, Tabs & Ferrules, Shur-Plug, Mating Pin Diameter 4.09 mm [.161 in],
16 – 14 AWG Wire Size, 1.25 – 2 mm² Wire Size, PIDG



English