

324165 ✓ ACTIVE

PLASTI-GRIP

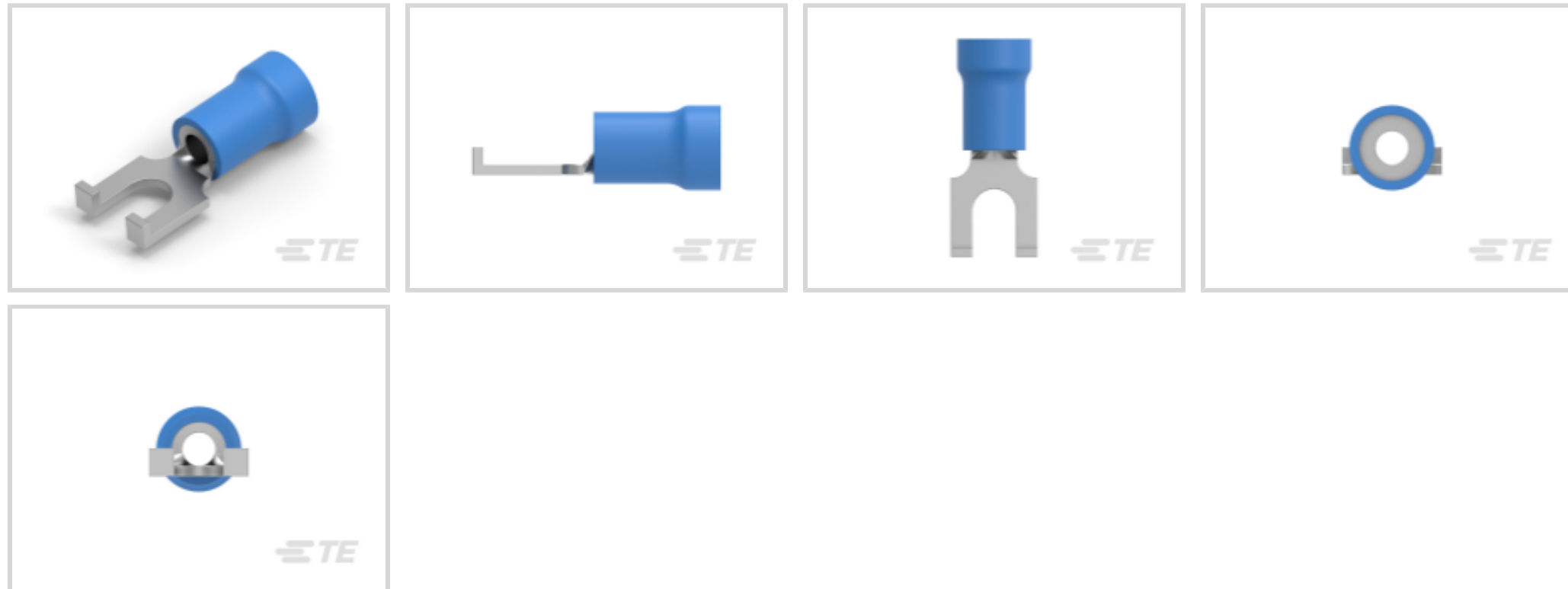
TE Internal #: 324165

Spade Tongue Terminal, 16 – 14 AWG, #6 / M3.5 Stud Size, 3.68 mm [.145 in] Stud Diameter, Closed Barrel, Flanged, Tin, PLASTI-GRIP

[View on TE.com >](#)



Terminals & Splices > Spade Terminals



Spade Terminal Type: **Spade Tongue Terminal**

Wire Size: **2050 – 5180 CMA**

Stud Size: **#6, M3.5**

Features

Product Type Features

| | |
|--|--------------------|
| Stud Size | #6, M3.5 |
| Sealable | No |
| Wire Insulation Support Retention Type | Insulation Support |

Electrical Characteristics

| | |
|----------------|-------|
| Voltage Rating | 600 V |
|----------------|-------|

Body Features

| | |
|-------------------------|--------|
| Product Weight | .185 g |
| Insulation Sleeve Color | Blue |
| Stripe Color | Blue |

Contact Features

| | |
|---------------------------|-----------------------|
| Spade Terminal Type | Spade Tongue Terminal |
| Barrel Type | Closed |
| Terminal Orientation | Flanged |
| Terminal Plating Material | Tin |

Mechanical Attachment



| | |
|-------------------------|------|
| Wire Insulation Support | With |
|-------------------------|------|

Dimensions

| | |
|--------------------------------------|-----------------------------|
| Wire Size | 2050 – 5180 CMA |
| Stud Diameter | 3.68 mm [.145 in] |
| Tongue Thickness | .79 mm [.031 in] |
| Product Length | 19.02 mm [.749 in] |
| Compatible Insulation Diameter (Max) | 4.9 mm [.193 in] |
| Compatible Insulation Diameter Range | 3 – 4.9 mm [.118 – .193 in] |

Usage Conditions

| | |
|-----------------------------|---------------------|
| Insulation Option | Partially Insulated |
| Operating Temperature Range | 105 °C [221 °F] |

Operation/Application

| | |
|---------------------------------------|--------|
| Compatible With Wire Base Material | Copper |
| Compatible With Wire Plating Material | Tin |

Industry Standards

| | |
|-------------------------------|----|
| Government Qualified Terminal | No |
|-------------------------------|----|

Packaging Features

| | |
|--------------------|-------------|
| Packaging Quantity | 1000 |
| Packaging Method | Loose Piece |

Product Compliance

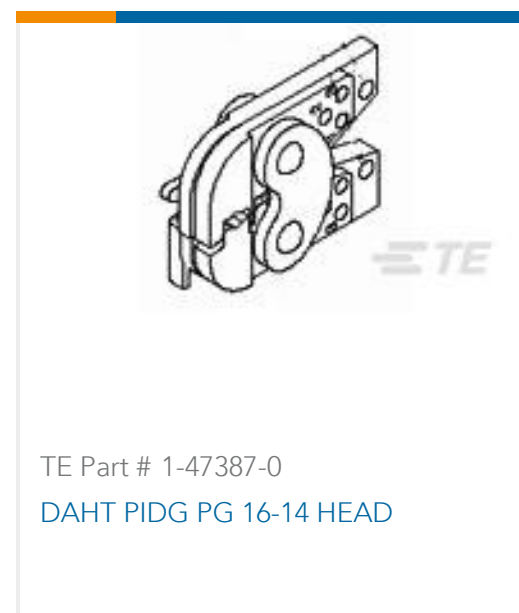
[For compliance documentation, visit the product page on TE.com>](#)

| | |
|---|---|
| EU RoHS Directive 2011/65/EU | Compliant |
| EU ELV Directive 2000/53/EC | Compliant |
| China RoHS 2 Directive MIIT Order No 32, 2016 | No Restricted Materials Above Threshold |
| EU REACH Regulation (EC) No. 1907/2006 | Current ECHA Candidate List: JUNE 2023 (235) Candidate List Declared Against: JUNE 2023 (235) Does not contain REACH SVHC |
| Halogen Content | Not Low Halogen - contains Br or Cl > 900 ppm. |
| Solder Process Capability | Not applicable for solder process capability |

Product Compliance Disclaimer

This information is provided based on reasonable inquiry of our suppliers and represents our current actual knowledge based on the information they provided. This information is subject to change. The part numbers that TE has identified as EU RoHS compliant have a maximum concentration of 0.1% by weight in homogenous materials for lead, hexavalent chromium, mercury, PBB, PBDE, DBP, BBP, DEHP, DIBP, and 0.01% for cadmium, or qualify for an exemption to these limits as defined in the Annexes of Directive 2011/65/EU (RoHS2). Finished electrical and electronic equipment products will be CE marked as required by Directive 2011/65/EU. Components may not be CE marked. Additionally, the part numbers that TE has identified as EU ELV compliant have a maximum concentration of 0.1% by weight in homogenous materials for lead, hexavalent chromium, and mercury, and 0.01% for cadmium, or qualify for an exemption to these limits as defined in the Annexes of Directive 2000/53/EC (ELV). Regarding the REACH Regulation, the information TE provides on SVHC in articles for this part number is based on the latest European Chemicals Agency (ECHA) 'Guidance on requirements for substances in articles' posted at this URL: <https://echa.europa.eu/guidance-documents/guidance-on-reach>

Compatible Parts



Also in the Series | PLASTI-GRIP



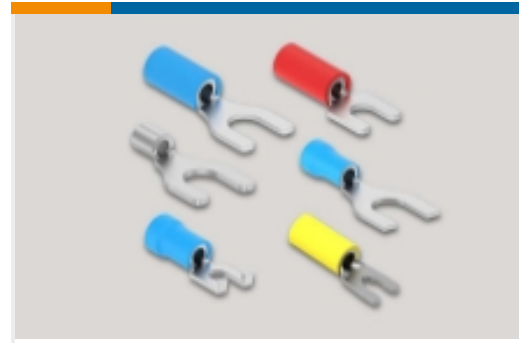
Compression Connectors(3)



Crimp Wire Pins, Tabs & Ferrules(25)



Ring Terminals(333)

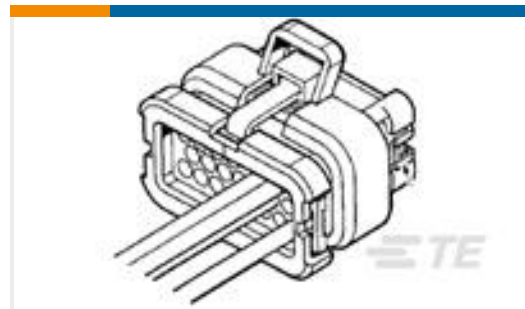


Spade Terminals(198)



Splices(50)

Customers Also Bought



TE Part #770680-2
23POS,AMPSEAL,SOC HSG ASSY,SLD,
COD 2



TE Part #520973-2
ULTRA-POD 187 ASSY REC 20-16
AWG TPBR



TE Part #3-640442-9
09P MTA100 CONN ASSY BLU



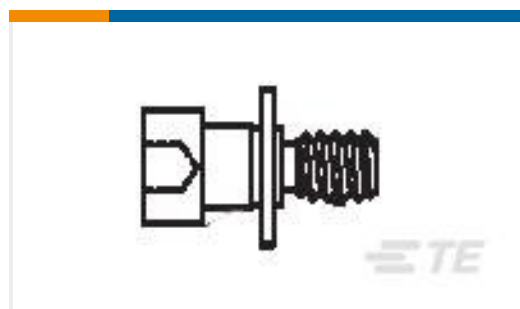
TE Part #1-480706-9
09P UMNL PLUG HSG BLK



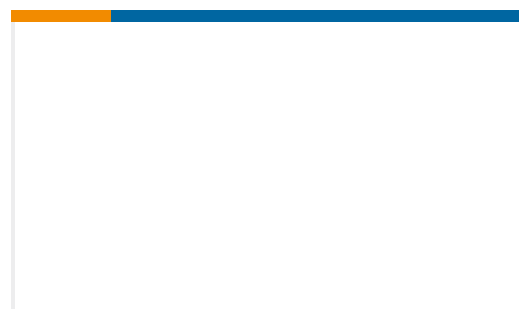
TE Part #317639-000
D-SCE-1K-12-50-9



TE Part #1658624-1
10 NOVO DUAL 30DP, LEAD FREE



TE Part #5-1532137-5
M83513/05-02, RM, JKS, ALLEN, L PR,
2-56



TE Part #YCTJ722K01CC017000
MODULE ASSY

Documents

Product Drawings

[TERMINAL,PG SPD FLG 16-14 6](#)

English

CAD Files

[3D PDF](#)

[3D](#)



Customer View Model

[ENG_CVM_CVM_324165_P.2d_dxf.zip](#)

English

Customer View Model

[ENG_CVM_CVM_324165_P.3d_igs.zip](#)

English

Customer View Model

[ENG_CVM_CVM_324165_P.3d_stp.zip](#)

English

By downloading the CAD file I accept and agree to the [Terms and Conditions](#) of use.

Product Specifications

[Application Specification](#)

English

Product Environmental Compliance

[TE Material Declaration](#)

English

Agency Approvals

[UL Report](#)

English

[UL Report](#)

English