

324061 ✓ ACTIVE

SOLISTRAND

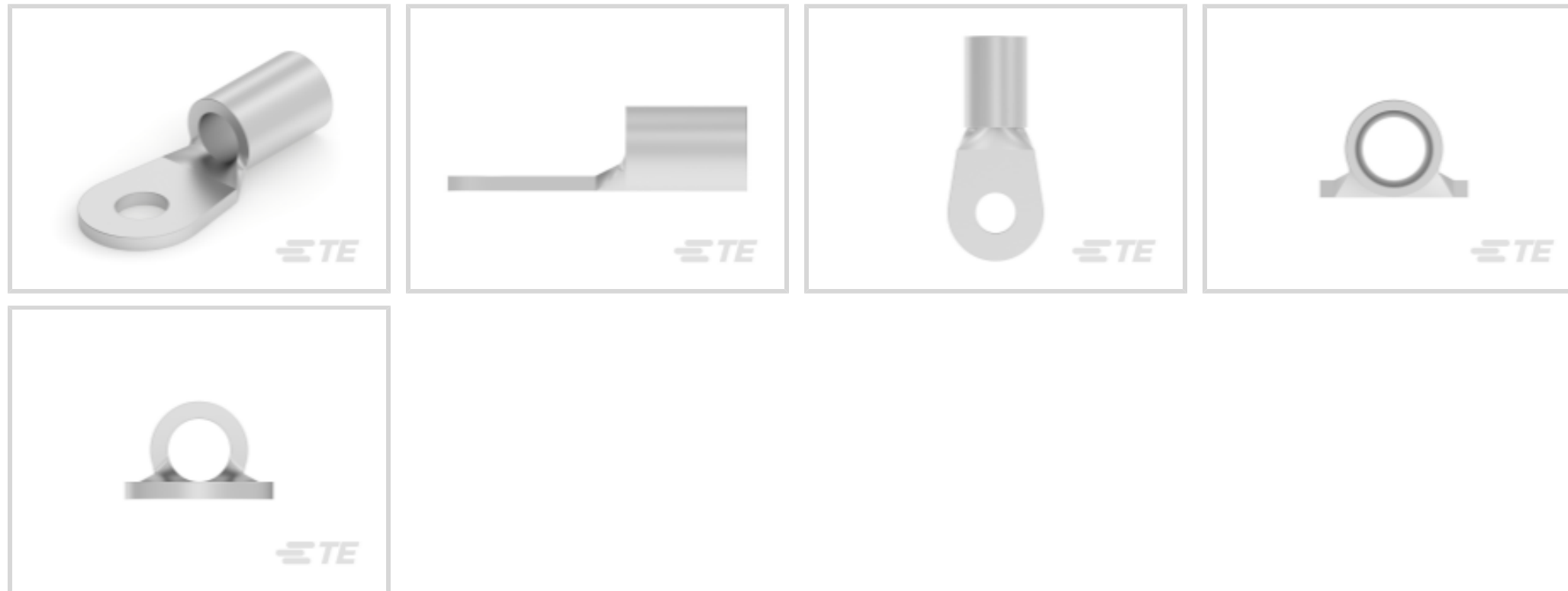
TE Internal #: 324061

Closed Ring Tongue Terminal, 8 AWG, #8 / M4 Stud Size, 4.34 mm [.171 in] Stud Diameter, Closed Barrel, Straight, Tin, Uninsulated

[View on TE.com >](#)



Terminals & Splices > Ring Terminals



Ring Terminal Product Type: Closed Ring Tongue Terminal

Wire Size: 13100 – 20800 CMA

Stud Size: #8, M4

Features

Product Type Features

Ring Terminal Product Type	Closed Ring Tongue Terminal
Stud Size	#8, M4
Sealable	No
Wire Insulation Support Retention Type	Non-Insulation Support

Configuration Features

Number of Holes	1
-----------------	---

Body Features

Product Weight	2.99 g
----------------	--------

Contact Features

Barrel Type	Closed
Terminal Orientation	Straight
Terminal Plating Material	Tin

Mechanical Attachment

Wire Insulation Support	Without
-------------------------	---------

Dimensions

--	--



Wire Size	13100 – 20800 CMA
Stud Diameter	4.34 mm [.171 in]
Tongue Thickness	1.22 mm [.048 in]
Product Length	24.1 mm [.949 in]
Barrel Inside Diameter	4.37 mm [.172 in]

Usage Conditions

Insulation Option	Uninsulated
Operating Temperature Range	170 °C [338 °F]

Operation/Application

Compatible With Wire Base Material	Copper
Compatible With Wire Plating Material	Tin

Industry Standards

Government Qualified Terminal	No
-------------------------------	----

Packaging Features

Packaging Quantity	100
Packaging Method	Loose Piece

Product Compliance

[For compliance documentation, visit the product page on TE.com>](#)

EU RoHS Directive 2011/65/EU	Compliant
EU ELV Directive 2000/53/EC	Compliant
China RoHS 2 Directive MIIT Order No 32, 2016	No Restricted Materials Above Threshold
EU REACH Regulation (EC) No. 1907/2006	Current ECHA Candidate List: JUNE 2023 (235) Candidate List Declared Against: JUNE 2023 (235) Does not contain REACH SVHC
Halogen Content	Low Halogen - Br, Cl, F, I < 900 ppm per homogenous material. Also BFR/CFR/PVC Free
Solder Process Capability	Not applicable for solder process capability

Product Compliance Disclaimer

This information is provided based on reasonable inquiry of our suppliers and represents our current actual knowledge based on the information they provided. This information is subject to change. The part numbers that TE has identified as EU RoHS compliant have a maximum concentration of 0.1% by weight in homogenous materials for lead, hexavalent chromium, mercury, PBB, PBDE, DBP, BBP, DEHP, DIBP, and 0.01% for cadmium, or qualify for an exemption to these




limits as defined in the Annexes of Directive 2011/65/EU (RoHS2). Finished electrical and electronic equipment products will be CE marked as required by Directive 2011/65/EU. Components may not be CE marked. Additionally, the part numbers that TE has identified as EU ELV compliant have a maximum concentration of 0.1% by weight in homogenous materials for lead, hexavalent chromium, and mercury, and 0.01% for cadmium, or qualify for an exemption to these limits as defined in the Annexes of Directive 2000/53/EC (ELV). Regarding the REACH Regulation, the information TE provides on SVHC in articles for this part number is based on the latest European Chemicals Agency (ECHA) 'Guidance on requirements for substances in articles' posted at this URL: <https://echa.europa.eu/guidance-documents/guidance-on-reach>

Compatible Parts



TE Part # 601075
BANTAM ROTA-CRIMP TOOL



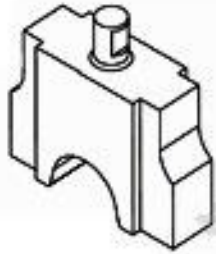
TE Part # 69355
HHHT SOLIS SOLIS FLAG STRATO 8 ASSY




TE Part # 1490413-1
HYP10 SOLIS 8AWG NEST



TE Part # 1490414-1
HYP10 SOLIS 8AWG INDENTER



TE Part # 1901001-1
NEST #8



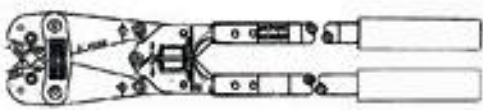
TE Part # 48355
HYP8 SOLIS 8AWG INDENTER



TE Part # 69216
HYP8/10 SOLIS 8AWG DIE SET



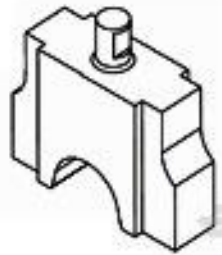
TE Part # 48126
HYP8 SOLIS 8AWG NEST



TE Part # 600850
ROTO-CRIMP TOOL (ASI)



TE Part # 69339
HHHT SOLIS SOLIS FLAG STRATO 8 ASSY



TE Part # 1901002-2
INDENTER, SOLISTRAND



TE Part # 49956
PNEUMATIC SOLIS STRATO 8 HEAD

Customers Also Bought



TE Part #3-1630027-2
HSC300 12R8 5%



TE Part #42506-2
250 FASTON TAB TPBR



TE Part #926298-7
UNIVERSAL MATE-N-LOK 4 WAY PLUG



TE Part #350570-6
UMNL SOK 24-18 AUPHBZ



TE Part #1745083-1
3 POS. PLUG ASSY AMP SUPERSEAL
1.5 SRS



TE Part #11027289-00
44011RC-BP, THERM, ROHS



TE Part #EP3166-000
0026G8424-9



TE Part #2204400-1
MULTI-BEAM HD R/A REC.
15S+2P+2P+15S



TE Part #474337-E
IDCTERM 1 I2426 1,10 * 094 707 0007
J2

Documents

Product Drawings

[TERMINAL, SOLIS R 8 8](#)

English

CAD Files

[3D PDF](#)

3D

Customer View Model

[ENG_CVM_CVM_324061_S.2d_dxf.zip](#)

English

Customer View Model

[ENG_CVM_CVM_324061_S.3d_igs.zip](#)

English

Customer View Model

[ENG_CVM_CVM_324061_S.3d_stp.zip](#)

English

By downloading the CAD file I accept and agree to the [Terms and Conditions](#) of use.

Datasheets & Catalog Pages

[STRATO-THERM Terminals & Splices for High Temperature Applications](#)

English

Product Environmental Compliance

[MD_324061_0522201472_dmtec](#)

English

[MD_324061_0522201472_dmtec](#)

English



Agency Approvals

UL Report

English

UL Report

English

UL Report

English