

323755 ✓ ACTIVE

SOLISTRAND

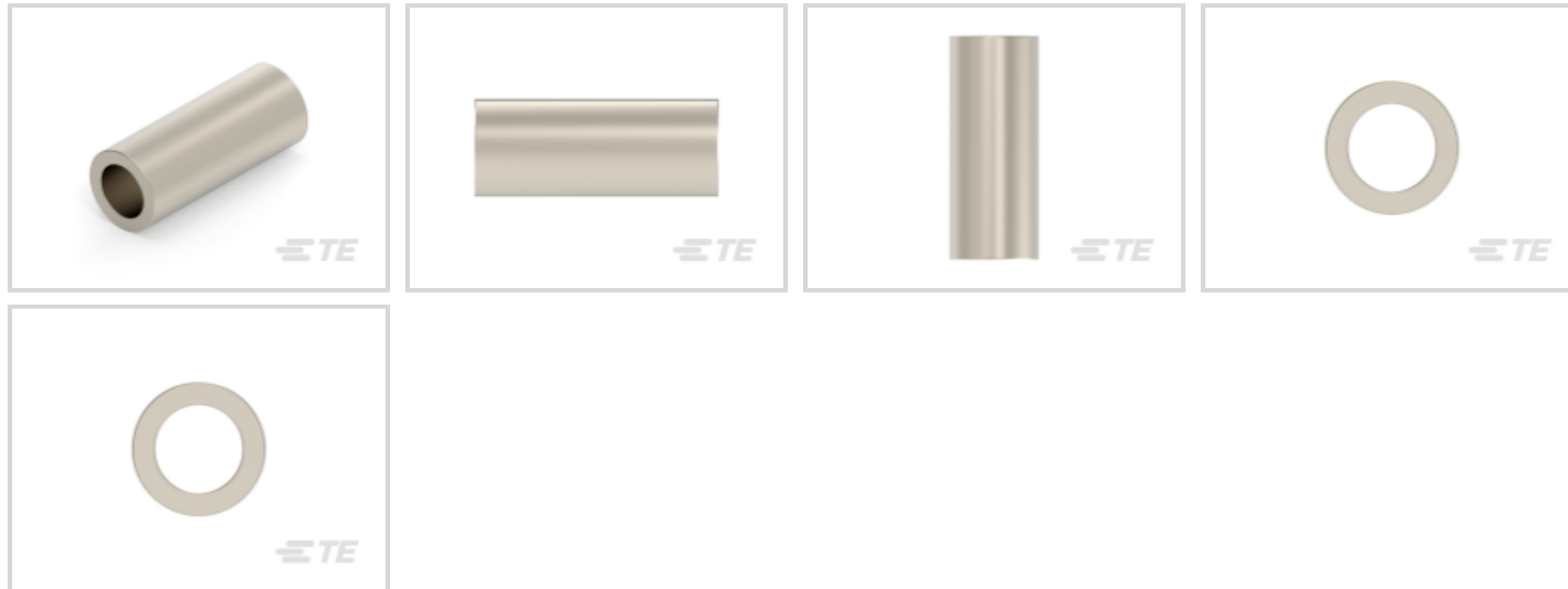
TE Internal #: 323755

Splices, Butt Splice, 12 – 10 AWG Wire Size, 3 – 6 mm² Wire Size, Serrated, .129 in [3.28 mm] Barrel Inside Diameter, 5180 – 13100 CMA Wire Size

[View on TE.com >](#)



Terminals & Splices > Splices



Wire Size: 3 – 6 mm²

Sealable: No

Splice Features: Serrated

Barrel Inside Diameter: 3.28 mm [.129 in]

Features

Product Type Features

Splice Accessory Type	Splice
Sealable	No
Splice Type	Butt Splice
Compatible With Discrete Wire Type	Solid, Stranded
Wire Insulation Support Retention Type	Non-Insulation Support

Configuration Features

Compatible With Wire & Cable Type	Discrete Wire
-----------------------------------	---------------

Body Features

Product Weight	4.416 g
Splice Features	Serrated

Contact Features

	300 μin
Terminal Plating Material	Nickel
Contact Base Material	Copper

Barrel Type	Closed
-------------	--------

Mechanical Attachment

Wire Insulation Support	Without
-------------------------	---------

Dimensions

Outside Diameter	5.74 mm[.226 in]
------------------	------------------

Wire Size	5180 – 13100 CMA
-----------	------------------

Barrel Inside Diameter	3.28 mm[.129 in]
------------------------	------------------

Terminal Material Thickness	.99 mm[.039 in]
-----------------------------	-----------------

Product Length	14.35 mm[.565 in]
----------------	-------------------

Usage Conditions

Insulation Option	Uninsulated
-------------------	-------------

Operating Temperature Range	343 °C[650 °F]
-----------------------------	----------------

Operation/Application

Compatible With Wire Base Material	Copper
------------------------------------	--------

Industry Standards

Government Qualified Splice	No
-----------------------------	----

Packaging Features

Packaging Quantity	500
--------------------	-----

Packaging Method	Loose Piece
------------------	-------------

Product Compliance

[For compliance documentation, visit the product page on TE.com>](#)

EU RoHS Directive 2011/65/EU	Compliant
------------------------------	-----------

EU ELV Directive 2000/53/EC	Compliant
-----------------------------	-----------

China RoHS 2 Directive MIIT Order No 32, 2016	No Restricted Materials Above Threshold
---	---

EU REACH Regulation (EC) No. 1907/2006	Current ECHA Candidate List: JUNE 2023 (235) Candidate List Declared Against: JUNE 2023 (235) Does not contain REACH SVHC
--	---

Halogen Content	Low Halogen - Br, Cl, F, I < 900 ppm per homogenous material. Also BFR/CFR/PVC Free
-----------------	---

Solder Process Capability	Not applicable for solder process capability
---------------------------	--

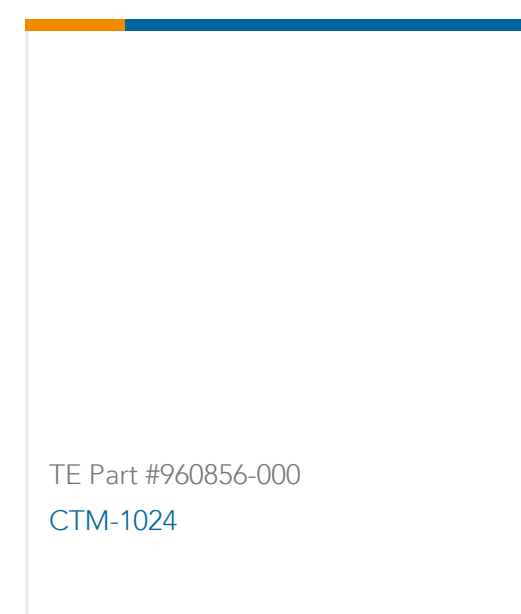
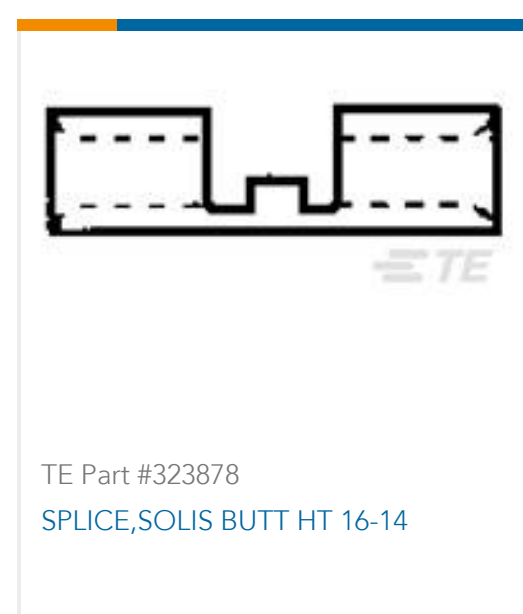
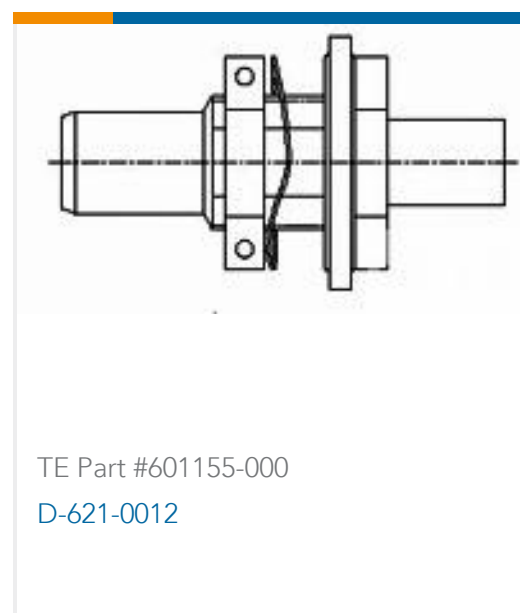
Product Compliance Disclaimer

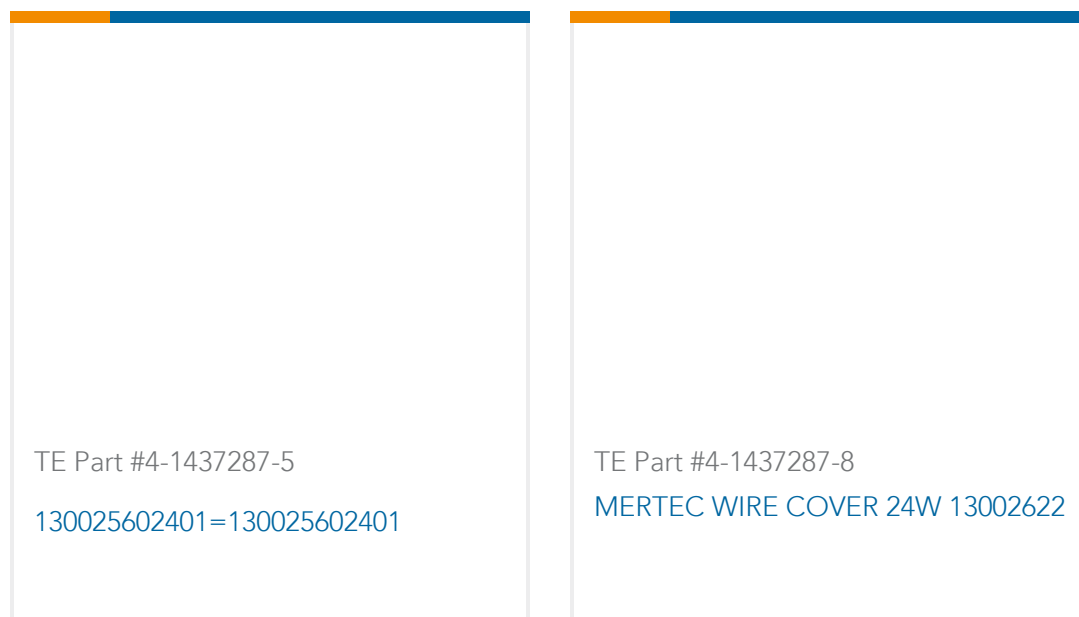
This information is provided based on reasonable inquiry of our suppliers and represents our current actual knowledge based on the information they provided. This information is subject to change. The part numbers that TE has identified as EU RoHS compliant have a maximum concentration of 0.1% by weight in homogenous materials for lead, hexavalent chromium, mercury, PBB, PBDE, DBP, BBP, DEHP, DIBP, and 0.01% for cadmium, or qualify for an exemption to these limits as defined in the Annexes of Directive 2011/65/EU (RoHS2). Finished electrical and electronic equipment products will be CE marked as required by Directive 2011/65/EU. Components may not be CE marked. Additionally, the part numbers that TE has identified as EU ELV compliant have a maximum concentration of 0.1% by weight in homogenous materials for lead, hexavalent chromium, and mercury, and 0.01% for cadmium, or qualify for an exemption to these limits as defined in the Annexes of Directive 2000/53/EC (ELV). Regarding the REACH Regulation, the information TE provides on SVHC in articles for this part number is based on the latest European Chemicals Agency (ECHA) 'Guidance on requirements for substances in articles' posted at this URL: <https://echa.europa.eu/guidance-documents/guidance-on-reach>

Compatible Parts



Customers Also Bought





Documents

Product Drawings

TERM, SPLC, BUTT, STRAT, SOLIS, HR 12-10

English

CAD Files

3D PDF

3D

Customer View Model

[ENG_CVM_CVM_323755_F.2d_dxf.zip](#)

English

Customer View Model

[ENG_CVM_CVM_323755_F.3d_igs.zip](#)

English

Customer View Model

[ENG_CVM_CVM_323755_F.3d_stp.zip](#)

English

By downloading the CAD file I accept and agree to the [Terms and Conditions](#) of use.

Datasheets & Catalog Pages

STRATO-THERM Terminals & Splices for High Temperature Applications

English

[RADIATION_RESISTANT_PRE-INSULATED_TERMINALS_SPLICES](#)

English

Product Environmental Compliance

Product Compliance

English

Product Compliance

English