

323152 ✓ ACTIVE

STRATO-THERM DIAMOND GRIP

TE Internal #: 323152

Closed Ring Tongue Terminal, 22 – 16 AWG, #8 / M4 Stud Size, 4.34 mm [.171 in] Stud Diameter, Closed Barrel, Straight, STRATO-THERM DIAMOND GRIP

[View on TE.com >](#)



Terminals & Splices > Ring Terminals



Ring Terminal Product Type: Closed Ring Tongue Terminal

Wire Size: 509 – 3260 CMA

Stud Size: #8, M4

Features

Product Type Features

Ring Terminal Product Type	Closed Ring Tongue Terminal
Stud Size	#8, M4
Sealable	No
Wire Insulation Support Retention Type	Insulation Support

Configuration Features

Number of Holes	1
-----------------	---

Body Features

Product Weight	.878 g
----------------	--------

Contact Features

Barrel Type	Closed
Terminal Orientation	Straight
Terminal Plating Material	Nickel

Mechanical Attachment

Wire Insulation Support	With
-------------------------	------

Dimensions



Wire Size	509 – 3260 CMA
Stud Diameter	4.34 mm [.171 in]
Tongue Thickness	.79 mm [.031 in]
Product Length	19.56 mm [.77 in]
Compatible Insulation Diameter (Max)	2.8 mm [.11 in]
Compatible Insulation Diameter Range	1.3 – 2.8 mm [.051 – .11 in]

Usage Conditions

Insulation Option	Uninsulated
Operating Temperature Range	343 °C [649 °F]

Industry Standards

Government Qualified Terminal	No
-------------------------------	----

Packaging Features

Packaging Quantity	1000
Packaging Method	Loose Piece

Product Compliance

[For compliance documentation, visit the product page on TE.com>](#)

EU RoHS Directive 2011/65/EU	Compliant
EU ELV Directive 2000/53/EC	Compliant
China RoHS 2 Directive MIIT Order No 32, 2016	No Restricted Materials Above Threshold
EU REACH Regulation (EC) No. 1907/2006	Current ECHA Candidate List: JUNE 2023 (235) Candidate List Declared Against: JUNE 2023 (235) Does not contain REACH SVHC
Halogen Content	Low Halogen - Br, Cl, F, I < 900 ppm per homogenous material. Also BFR/CFR/PVC Free
Solder Process Capability	Not applicable for solder process capability

Product Compliance Disclaimer

This information is provided based on reasonable inquiry of our suppliers and represents our current actual knowledge based on the information they provided. This information is subject to change. The part numbers that TE has identified as EU RoHS compliant have a maximum concentration of 0.1% by weight in homogenous materials for lead, hexavalent chromium, mercury, PBB, PBDE, DBP, BBP, DEHP, DIBP, and 0.01% for cadmium, or qualify for an exemption to these limits as defined in the Annexes of Directive 2011/65/EU (RoHS2). Finished electrical and electronic equipment products will be CE marked as required by Directive 2011/65/EU. Components may not be CE marked. Additionally, the part numbers that TE has identified as EU ELV compliant have a maximum concentration of 0.1% by weight in homogenous materials for lead, hexavalent chromium, and mercury, and 0.01% for cadmium, or qualify for an exemption to these limits

as defined in the Annexes of Directive 2000/53/EC (ELV). Regarding the REACH Regulation, the information TE provides on SVHC in articles for this part number is based on the latest European Chemicals Agency (ECHA) 'Guidance on requirements for substances in articles' posted at this URL: <https://echa.europa.eu/guidance-documents/guidance-on-reach>

Compatible Parts




REPRESENTATION ONLY

TE Part # 46673
DAHT STRATO 22-16 ASSY




TE Part # 1213850-1
626 PNEU HD,22-16 STRATO-THERM




REPRESENTATION ONLY

TE Part # 46673-1
DAHT STRATO 22-16 ASSY

Also in the Series | STRATO-THERM DIAMOND GRIP



Knife Disconnects(4)



Ring Terminals(70)




Splices(10)

Customers Also Bought



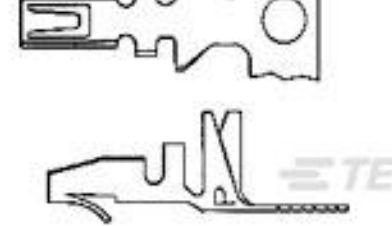
TE Part #647402-6
Receptacle Housing: Wire-to-Board, with Mating Alignment, SL156



TE Part #2-320565-1
TERMINAL,PIDG R 16-14 8



TE Part #5-103735-8
09 MTE HDR SRST LATCH .100CL



TE Part #3-794121-1
TERMINAL, MINI AMP-IN 2000 22-18 AWG



TE Part #CV4186-000
RNF-100-1/4-BK-SP-SH



TE Part #794012-1
02P CMNL CAP HSG W/POS LOCK



TE Part #1586532-2
03P CMNL HDR ASSY SHORT LF



TE Part #216200-000
55A0114-22-2

Documents



Product Drawings

[DG 22-16COM 22-18MIL HR R 8](#)

English

CAD Files

Customer View Model

[ENG_CVM_323152_G.3d_igs.zip](#)

English

Customer View Model

[ENG_CVM_323152_G.3d_stp.zip](#)

English

Customer View Model

[ENG_CVM_323152_G.2d_dxf.zip](#)

English

3D PDF

English

By downloading the CAD file I accept and agree to the [Terms and Conditions](#) of use.

Datasheets & Catalog Pages

[STRATO-THERM Terminals & Splices for High Temperature Applications](#)

English

Product Specifications

[Application Specification](#)

English

Product Environmental Compliance

[Product Compliance](#)

English

[Product Compliance](#)

English