

323144 ✓ ACTIVE

SOLISTRAND

TE Internal #: 323144

Spade Tongue Terminal, 12 – 10 AWG, #10 Stud Size, 5 mm [.197 in] Stud Diameter, Closed Barrel, Flanged, Tin, Uninsulated

[View on TE.com >](#)



Terminals & Splices > Spade Terminals



Spade Terminal Type: **Spade Tongue Terminal**

Wire Size: **5180 – 13100 CMA**

Stud Size: **#10**

### Features

#### Product Type Features

Stud Size	#10
Sealable	No
Wire Insulation Support Retention Type	Non-Insulation Support

#### Body Features

Product Weight	1.87 g
----------------	--------

#### Contact Features

Spade Terminal Type	Spade Tongue Terminal
Barrel Type	Closed
Terminal Orientation	Flanged
Terminal Plating Material	Tin

#### Mechanical Attachment

Wire Insulation Support	Without
-------------------------	---------

#### Dimensions

Wire Size	5180 – 13100 CMA
Stud Diameter	5 mm [.197 in]
Tongue Thickness	.79 mm [.031 in]

Product Length	17.63 mm[.694 in]
Barrel Inside Diameter	3.28 mm[.129 in]

### Usage Conditions

Insulation Option	Uninsulated
Operating Temperature Range	170 °C[338 °F]

### Operation/Application

Compatible With Wire Base Material	Copper
Compatible With Wire Plating Material	Tin

### Industry Standards

Government Qualified Terminal	No
-------------------------------	----

### Packaging Features

Packaging Quantity	500
Packaging Method	Loose Piece

### Product Compliance

[For compliance documentation, visit the product page on TE.com>](#)

EU RoHS Directive 2011/65/EU	Compliant
EU ELV Directive 2000/53/EC	Compliant
China RoHS 2 Directive MIIT Order No 32, 2016	No Restricted Materials Above Threshold
EU REACH Regulation (EC) No. 1907/2006	Current ECHA Candidate List: JUNE 2023 (235) Candidate List Declared Against: JUNE 2023 (235) Does not contain REACH SVHC
Halogen Content	Low Halogen - Br, Cl, F, I < 900 ppm per homogenous material. Also BFR/CFR/PVC Free
Solder Process Capability	Not applicable for solder process capability

#### Product Compliance Disclaimer

This information is provided based on reasonable inquiry of our suppliers and represents our current actual knowledge based on the information they provided. This information is subject to change. The part numbers that TE has identified as EU RoHS compliant have a maximum concentration of 0.1% by weight in homogenous materials for lead, hexavalent chromium, mercury, PBB, PBDE, DBP, BBP, DEHP, DIBP, and 0.01% for cadmium, or qualify for an exemption to these limits as defined in the Annexes of Directive 2011/65/EU (RoHS2). Finished electrical and electronic equipment products will be CE marked as required by Directive 2011/65/EU. Components may not be CE marked. Additionally, the part numbers that TE has identified as EU ELV compliant have a maximum concentration of 0.1% by weight in homogenous materials for lead, hexavalent chromium, and mercury, and 0.01% for cadmium, or qualify for an exemption to these limits as defined in the Annexes of Directive 2000/53/EC (ELV). Regarding the REACH Regulation, the information TE provides

on SVHC in articles for this part number is based on the latest European Chemicals Agency (ECHA) 'Guidance on requirements for substances in articles' posted at this URL: <https://echa.europa.eu/guidance-documents/guidance-on-reach>

## Compatible Parts



TE Part # 58545-1  
SOLISTRAND 10-22 DIE ASSY



TE Part # 49935  
DAHT SOLIS 22-10 ASSY



TE Part # 525693  
DAHT SOLIS 22-10 ASSY



TE Part # 58545-3  
SDE DIE ASSY. 22-10 SOLISTRAND



TE Part # 47814  
DIES SOLIS 12-10 DIE SET



TE Part # 539662-2  
MATR SOLISTR 0,3-6,

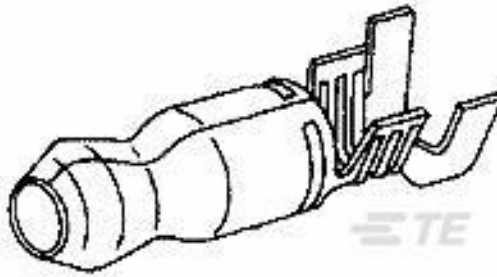


TE Part # 169400  
CERTI-LOK FRAME W/O DIES

## Customers Also Bought



TE Part #320857  
TERMINAL,SOLIS SPD FLG 16-14



TE Part #60660-1  
SHUR PLUG 180 18-14 AWG TPBR



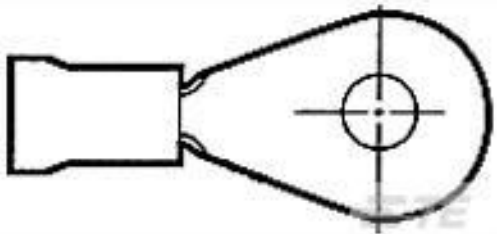
TE Part #42233-2  
205 FASTON REC 18-14 AWG TPBR



TE Part #42868-2  
SHUR PLUG 180 RECEPTACLE 14-10 AWG TPBR



TE Part #35771  
TERMINAL,SOLIS R 12-10 10



TE Part #55621-1  
TERMINAL R PG 8 1/4



TE Part #NB13982001  
TAT-125-1/8-0-STK



TE Part #690474-4  
SHEAR BLADE



## Documents

### Product Drawings

[TERMINAL,SOLIS SPD FLG 12-10](#)

English

### CAD Files

[3D PDF](#)

3D

Customer View Model

[ENG\\_CVM\\_CVM\\_323144\\_J.2d\\_dxf.zip](#)

English

Customer View Model

[ENG\\_CVM\\_CVM\\_323144\\_J.3d\\_igs.zip](#)

English

Customer View Model

[ENG\\_CVM\\_CVM\\_323144\\_J.3d\\_stp.zip](#)

English

Customer View Model

[ENG\\_CVM\\_323144\\_D.3d\\_igs.zip](#)

English

Customer View Model

[ENG\\_CVM\\_323144\\_D.3d\\_stp.zip](#)

English

Customer View Model

[ENG\\_CVM\\_323144\\_D.2d\\_dxf.zip](#)

English

[3D PDF](#)

English

By downloading the CAD file I accept and agree to the [Terms and Conditions](#) of use.

### Agency Approvals

[UL Report](#)

English

[UL Report](#)

English

[UL Report](#)

323144

Spade Tongue Terminal, 12 – 10 AWG, #10 Stud Size, 5 mm [.197 in] Stud Diameter,  
Closed Barrel, Flanged, Tin, Uninsulated



English