

322727 ✓ ACTIVE

SOLISTRAND

TE Internal #: 322727

Closed Ring Tongue Terminal, 8 AWG, M6 / 1/4 Stud Size, 6.73 mm
[.265 in] Stud Diameter, Closed Barrel, Flag, Tin, Uninsulated

[View on TE.com >](#)



Terminals & Splices > Ring Terminals



Ring Terminal Product Type: Closed Ring Tongue Terminal

Wire Size: 13100 – 20800 CMA

Stud Size: 1/4, M6

Features

Product Type Features

Ring Terminal Product Type	Closed Ring Tongue Terminal
Stud Size	1/4, M6
Sealable	No
Wire Insulation Support Retention Type	Non-Insulation Support

Configuration Features

Number of Holes	1
-----------------	---

Body Features

Product Weight	4.953 g
----------------	---------

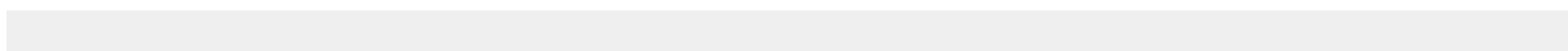
Contact Features

Barrel Type	Closed
Terminal Orientation	Flag
Terminal Plating Material	Tin

Mechanical Attachment

Wire Insulation Support	Without
-------------------------	---------

Dimensions



Wire Size	13100 – 20800 CMA
Stud Diameter	6.73 mm[.265 in]
Tongue Thickness	.79 mm[.031 in]
Product Length	28.7 mm[1.13 in]
Barrel Inside Diameter	4.57 mm[.18 in]

Usage Conditions

Insulation Option	Uninsulated
Operating Temperature Range	170 °C[338 °F]

Operation/Application

Compatible With Wire Base Material	Copper
Compatible With Wire Plating Material	Tin

Industry Standards

Government Qualified Terminal	No
-------------------------------	----

Packaging Features

Packaging Quantity	100
Packaging Method	Box

Product Compliance

[For compliance documentation, visit the product page on TE.com>](#)

EU RoHS Directive 2011/65/EU	Compliant
EU ELV Directive 2000/53/EC	Compliant
China RoHS 2 Directive MIIT Order No 32, 2016	No Restricted Materials Above Threshold
EU REACH Regulation (EC) No. 1907/2006	Current ECHA Candidate List: JUNE 2023 (235) Candidate List Declared Against: JUNE 2023 (235) Does not contain REACH SVHC
Halogen Content	Low Halogen - Br, Cl, F, I < 900 ppm per homogenous material. Also BFR/CFR/PVC Free
Solder Process Capability	Not applicable for solder process capability

Product Compliance Disclaimer

This information is provided based on reasonable inquiry of our suppliers and represents our current actual knowledge based on the information they provided. This information is subject to change. The part numbers that TE has identified as EU RoHS compliant have a maximum concentration of 0.1% by weight in homogenous materials for lead, hexavalent chromium, mercury, PBB, PBDE, DBP, BBP, DEHP, DIBP, and 0.01% for cadmium, or qualify for an exemption to these

limits as defined in the Annexes of Directive 2011/65/EU (RoHS2). Finished electrical and electronic equipment products will be CE marked as required by Directive 2011/65/EU. Components may not be CE marked. Additionally, the part numbers that TE has identified as EU ELV compliant have a maximum concentration of 0.1% by weight in homogenous materials for lead, hexavalent chromium, and mercury, and 0.01% for cadmium, or qualify for an exemption to these limits as defined in the Annexes of Directive 2000/53/EC (ELV). Regarding the REACH Regulation, the information TE provides on SVHC in articles for this part number is based on the latest European Chemicals Agency (ECHA) 'Guidance on requirements for substances in articles' posted at this URL: <https://echa.europa.eu/guidance-documents/guidance-on-reach>

Compatible Parts



TE Part # 1752680-8
HYP10 SOLIS FLAG 8AWG NEST



TE Part # 1752681-2
HYP10 SOLIS FLAG 8AWG INDENTER



TE Part # 48506
HYP8 SOLIS FLAG 8AWG NEST



TE Part # 69354-1
HHHT SOLIS SOLIS FLAG STRATO 8 ASSY

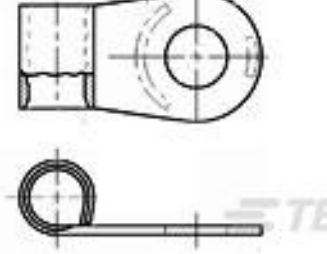


TE Part # 322727-2
TERM,SOLIS, FLAG, R, 8, M8(5/16)

Customers Also Bought



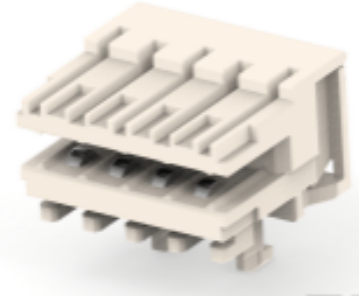
TE Part #5-1971773-4
PTL 1X4 PLUG HSG HIGH TEMP KEY A LGR



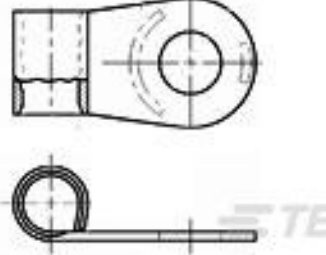
TE Part #321275
TERMINAL,SOLIS FLAG R 4 1/4



TE Part #1-66099-3
III+ PIN,18-16,15AU/FL,SMPACK



TE Part #2-2304525-4
AMP DUOPLUG MK2 CONNECTOR 4P




TE Part #321060
TERMINAL,SOLIS FLAG R 4 5/16



TE Part #1534072-3
MULTIF.ASSY MK2 3POS,AR



TE Part #852743-3
CRIMPER, WIRE



TE Part #2217623-1
PANEL ASSEMBLY, AMP 3K/5K



Documents

Product Drawings

[TERMINAL,SOLIS FLAG R 8 1/4](#)

English

CAD Files

[3D PDF](#)

3D

Customer View Model

[ENG_CVM_CVM_322727_T.2d_dxf.zip](#)

English

Customer View Model

[ENG_CVM_CVM_322727_T.3d_igs.zip](#)

English

Customer View Model

[ENG_CVM_CVM_322727_T.3d_stp.zip](#)

English

By downloading the CAD file I accept and agree to the [Terms and Conditions](#) of use.

Agency Approvals

[UL Report](#)

English