

322445 ✓ ACTIVE

SOLISTRAND

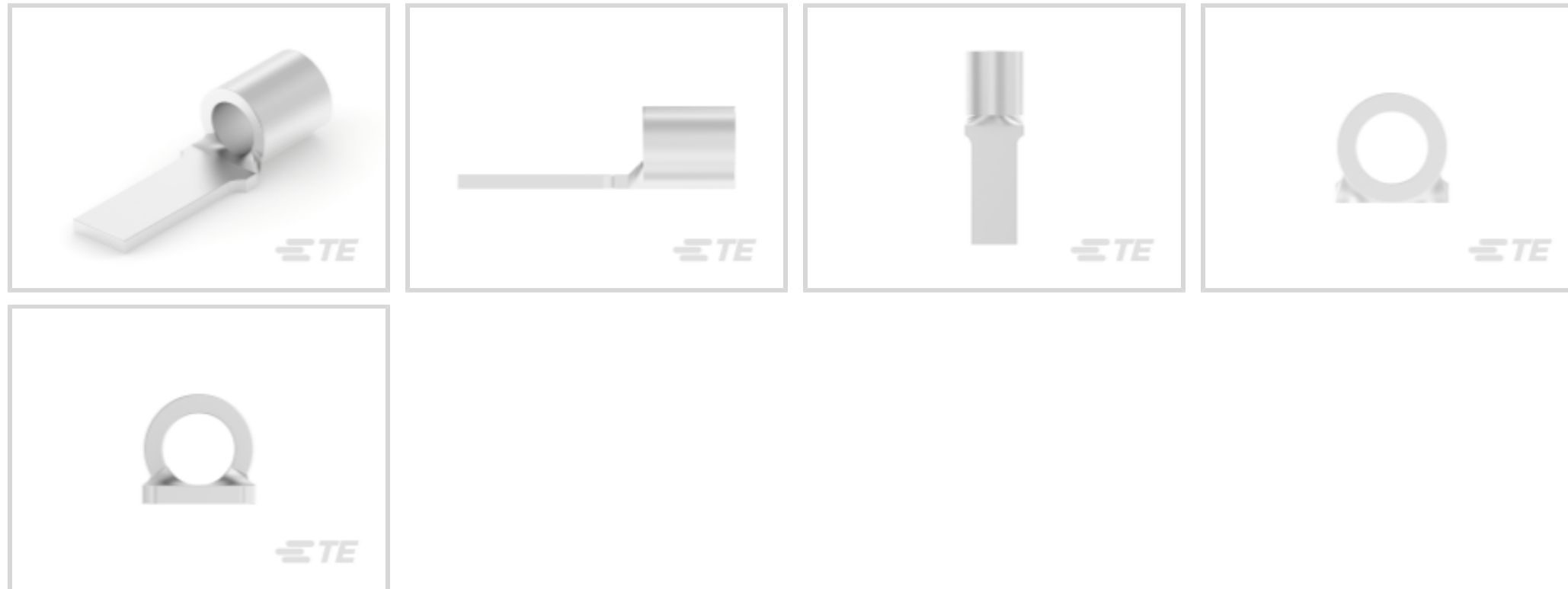
TE Internal #: 322445

Crimp Wire Pins, Tabs & Ferrules, Tab, Mating Tab Width .937 in [23.8 mm], Mating Tab Thickness 1.3 mm [.051 in], 8 AWG Wire Size, 8 mm² Wire Size

[View on TE.com >](#)



Terminals & Splices > Crimp Wire Pins, Tabs & Ferrules



Crimp Wire Terminal Type: **Tab**

Mating Tab Width: **23.8 mm [.937 in]**

Mating Tab Thickness: **1.3 mm [.051 in]**

Wire Size: **8 mm²**

Features

Product Type Features

Sealable	No
Compatible With Discrete Wire Type	Solid, Stranded
Wire Insulation Support Retention Type	Non-Insulation Support

Configuration Features

Compatible With Wire & Cable Type	Discrete Wire
-----------------------------------	---------------

Contact Features

Crimp Wire Terminal Type	Tab
Mating Tab Width	23.8 mm[.937 in]
Mating Tab Thickness	1.3 mm[.051 in]
Barrel Type	Closed
Terminal Plating Material	Tin
Terminal Orientation	Straight

Mechanical Attachment

Wire Insulation Support	Without
-------------------------	---------



Dimensions

Wire Size	13100 – 20800 CMA
Barrel Inside Diameter	4.5 mm[.177 in]
Terminal Material Thickness	1.22 mm[.048 in]
Overall Product Length	23.8 mm[.937 in]

Usage Conditions

Insulation Option	Uninsulated
Operating Temperature Range	170 °C[338 °F]

Packaging Features

Packaging Method	Loose Piece
------------------	-------------

Product Compliance

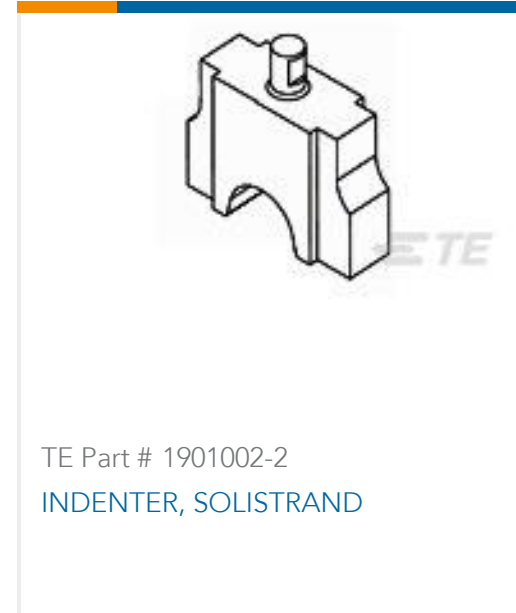
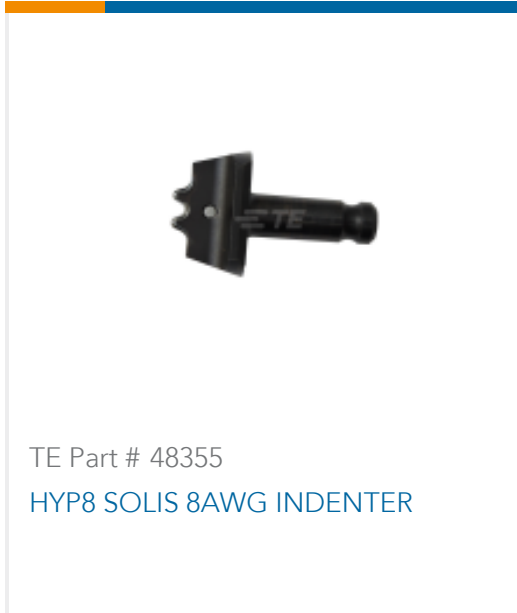
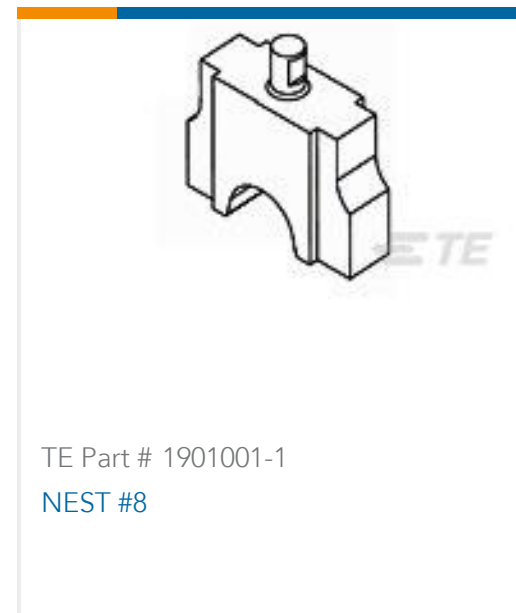
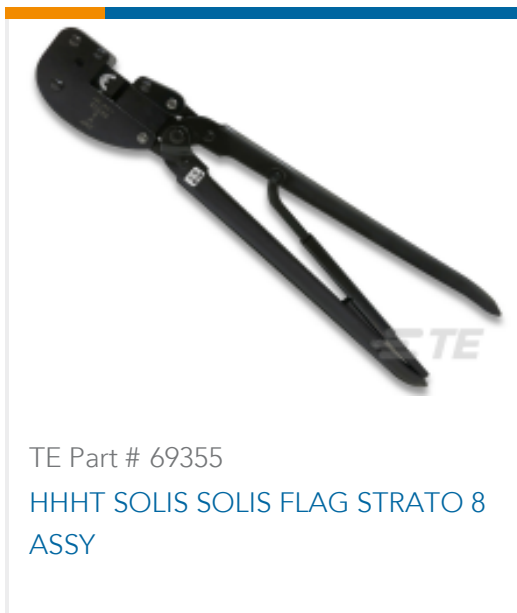
[For compliance documentation, visit the product page on TE.com>](#)

EU RoHS Directive 2011/65/EU	Compliant
EU ELV Directive 2000/53/EC	Compliant
China RoHS 2 Directive MIIT Order No 32, 2016	No Restricted Materials Above Threshold
EU REACH Regulation (EC) No. 1907/2006	Current ECHA Candidate List: JUNE 2023 (235) Candidate List Declared Against: JUNE 2023 (235) Does not contain REACH SVHC
Halogen Content	Low Halogen - Br, Cl, F, I < 900 ppm per homogenous material. Also BFR/CFR/PVC Free
Solder Process Capability	Not applicable for solder process capability

Product Compliance Disclaimer

This information is provided based on reasonable inquiry of our suppliers and represents our current actual knowledge based on the information they provided. This information is subject to change. The part numbers that TE has identified as EU RoHS compliant have a maximum concentration of 0.1% by weight in homogenous materials for lead, hexavalent chromium, mercury, PBB, PBDE, DBP, BBP, DEHP, DIBP, and 0.01% for cadmium, or qualify for an exemption to these limits as defined in the Annexes of Directive 2011/65/EU (RoHS2). Finished electrical and electronic equipment products will be CE marked as required by Directive 2011/65/EU. Components may not be CE marked. Additionally, the part numbers that TE has identified as EU ELV compliant have a maximum concentration of 0.1% by weight in homogenous materials for lead, hexavalent chromium, and mercury, and 0.01% for cadmium, or qualify for an exemption to these limits as defined in the Annexes of Directive 2000/53/EC (ELV). Regarding the REACH Regulation, the information TE provides on SVHC in articles for this part number is based on the latest European Chemicals Agency (ECHA) 'Guidance on requirements for substances in articles' posted at this URL: <https://echa.europa.eu/guidance-documents/guidance-on-reach>

Compatible Parts



Customers Also Bought



Documents



Product Drawings

TAB,SOLIS 8

English

CAD Files

3D PDF

3D

Customer View Model

[ENG_CVM_CVM_322445_D.2d_dxf.zip](#)

English

Customer View Model

[ENG_CVM_CVM_322445_D.3d_igs.zip](#)

English

Customer View Model

[ENG_CVM_CVM_322445_D.3d_stp.zip](#)

English

Customer View Model

[ENG_CVM_322445_B.3d_igs.zip](#)

English

Customer View Model

[ENG_CVM_322445_B.3d_stp.zip](#)

English

Customer View Model

[ENG_CVM_322445_B.2d_dxf.zip](#)

English

3D PDF

English

By downloading the CAD file I accept and agree to the [Terms and Conditions](#) of use.

Agency Approvals

UL Report

English