

322367 ✓ ACTIVE

## STRATO-THERM DIAMOND GRIP

TE Internal #: 322367

Ring Terminals & Spade Terminals, Ring Tongue, 22 – 16 AWG

Wire Size, .26 – 1.65 mm<sup>2</sup> Wire Size, 509 – 3260 CMA Wire Size,

STRATO-THERM DIAMOND GRIP

[View on TE.com >](#)



Terminals & Splices > Ring Terminals & Spade Terminals



Ring & Spade Terminal Type: **Ring Tongue**

Wire Size: **509 – 3260 CMA**

Stud Size: **M6**

### Features

#### Product Type Features

|  |                    |
|--|--------------------|
| Stud Size                              | M6                 |
| Sealable                               | No                 |
| Wire Insulation Support Retention Type | Insulation Support |

#### Configuration Features

|                 |   |
|-----------------|---|
| Number of Holes | 1 |
|-----------------|---|

#### Body Features

|                |         |
|----------------|---------|
| Product Weight | 1.298 g |
|----------------|---------|

#### Contact Features

|                            |             |
|----------------------------|-------------|
| Ring & Spade Terminal Type | Ring Tongue |
| Barrel Type                | Closed      |
| Terminal Orientation       | Straight    |
| Terminal Plating Material  | Nickel      |

#### Mechanical Attachment

|                         |      |
|-------------------------|------|
| Wire Insulation Support | With |
|-------------------------|------|

#### Dimensions



|                                      |                               |
|--------------------------------------|-------------------------------|
| Wire Size                            | 509 – 3260 CMA                |
| Stud Diameter                        | 6.73 mm[.265 in]              |
| Tongue Thickness                     | .79 mm[.031 in]               |
| Product Length                       | 26.19 mm[1.031 in]            |
| Compatible Insulation Diameter (Max) | 3.56 mm[.14 in]               |
| Compatible Insulation Diameter Range | 2.67 – 3.56 mm[.105 – .14 in] |

### Usage Conditions

|                             |                |
|-----------------------------|----------------|
| Insulation Option           | Uninsulated    |
| Operating Temperature Range | 343 °C[649 °F] |

### Industry Standards

|                               |    |
|-------------------------------|----|
| Government Qualified Terminal | No |
|-------------------------------|----|

### Packaging Features

|                    |             |
|--------------------|-------------|
| Packaging Quantity | 1000        |
| Packaging Method   | Loose Piece |

### Product Compliance

[For compliance documentation, visit the product page on TE.com>](#)

|   |   |
|---|---|
| EU RoHS Directive 2011/65/EU                  | Compliant   |
| EU ELV Directive 2000/53/EC                   | Compliant   |
| China RoHS 2 Directive MIIT Order No 32, 2016 | No Restricted Materials Above Threshold   |
| EU REACH Regulation (EC) No. 1907/2006        | Current ECHA Candidate List: JUNE 2023 (235)<br>Candidate List Declared Against: JUNE 2023 (235)<br>Does not contain REACH SVHC |
| Halogen Content                               | Low Halogen - Br, Cl, F, I < 900 ppm per homogenous material. Also BFR/CFR/PVC Free   |
| Solder Process Capability                     | Not applicable for solder process capability  |

#### Product Compliance Disclaimer

This information is provided based on reasonable inquiry of our suppliers and represents our current actual knowledge based on the information they provided. This information is subject to change. The part numbers that TE has identified as EU RoHS compliant have a maximum concentration of 0.1% by weight in homogenous materials for lead, hexavalent chromium, mercury, PBB, PBDE, DBP, BBP, DEHP, DIBP, and 0.01% for cadmium, or qualify for an exemption to these limits as defined in the Annexes of Directive 2011/65/EU (RoHS2). Finished electrical and electronic equipment products will be CE marked as required by Directive 2011/65/EU. Components may not be CE marked. Additionally, the part numbers that TE has identified as EU ELV compliant have a maximum concentration of 0.1% by weight in homogenous materials for lead, hexavalent chromium, and mercury, and 0.01% for cadmium, or qualify for an exemption to these limits

as defined in the Annexes of Directive 2000/53/EC (ELV). Regarding the REACH Regulation, the information TE provides on SVHC in articles for this part number is based on the latest European Chemicals Agency (ECHA) 'Guidance on requirements for substances in articles' posted at this URL: <https://echa.europa.eu/guidance-documents/guidance-on-reach>

## Compatible Parts




REPRESENTATION ONLY

TE Part # 46673  
DAHT STRATO 22-16 ASSY




TE Part # 1213850-1  
626 PNEU HD,22-16 STRATO-THERM




REPRESENTATION ONLY

TE Part # 46673-1  
DAHT STRATO 22-16 ASSY

## Also in the Series | STRATO-THERM DIAMOND GRIP



Knife Disconnects(5)



Ring Terminals & Spade Terminals(73)



Splices(10)

## Customers Also Bought



TE Part #415340-1  
PCB JACK, RTANG, SMB



TE Part #206793-1  
SZ 20,SOCKET, NON-MAG



TE Part #205089-4  
HD 20 PIN CONTACT, NON-MAG



TE Part #1-770904-0  
MINI UMNL SOK 22-18 AWG AU




TE Part #5-534206-7  
14 MODII VRT DR CE 100/115



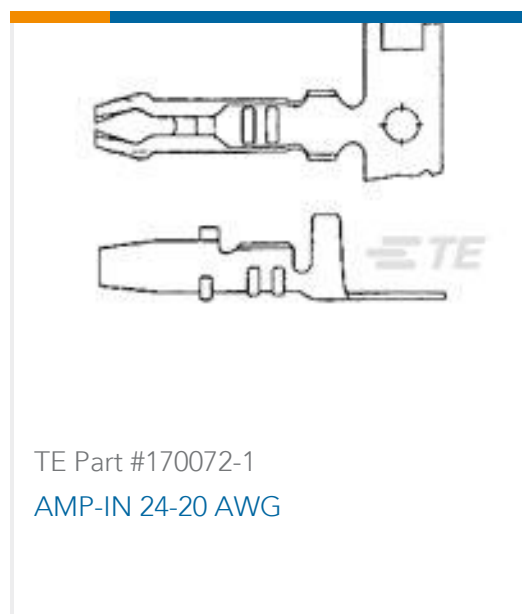
TE Part #5-534237-2  
04 MODII VRT SR CE 100/115



TE Part #7-2176305-8  
RP 1E 0.1W 681R 0.1% 25PPM 5K RL



TE Part #322337  
DIAMOND GRIP 16-14 HT R 8



## Documents

### Product Drawings

[DG 22-16COM22-18MIL HR R 1/4](#)

English

### CAD Files

[3D PDF](#)

3D

Customer View Model

[ENG\\_CVM\\_CVM\\_322367\\_L.2d\\_dxf.zip](#)

English

Customer View Model

[ENG\\_CVM\\_CVM\\_322367\\_L.3d\\_igs.zip](#)

English

Customer View Model

[ENG\\_CVM\\_CVM\\_322367\\_L.3d\\_stp.zip](#)

English

Customer View Model

[ENG\\_CVM\\_322367\\_D.3d\\_igs.zip](#)

English

Customer View Model

[ENG\\_CVM\\_322367\\_D.3d\\_stp.zip](#)

English

Customer View Model

[ENG\\_CVM\\_322367\\_D.2d\\_dxf.zip](#)

English

[3D PDF](#)

English

By downloading the CAD file I accept and agree to the [Terms and Conditions](#) of use.

### Datasheets & Catalog Pages

[STRATO-THERM Terminals & Splices for High Temperature Applications](#)

English

### Product Specifications

[Application Specification](#)

English

