

321576 ✓ ACTIVE

SOLISTRAND

TE Internal #: 321576

Closed Ring Tongue Terminal, 6 AWG, M6 / 1/4 Stud Size, 6.73 mm  
[.265 in] Stud Diameter, Closed Barrel, Flag, Tin, Uninsulated

[View on TE.com >](#)



Terminals & Splices > Ring Terminals



Ring Terminal Product Type: Closed Ring Tongue Terminal

Wire Size: 20800 – 33100 CMA

Stud Size: 1/4, M6

## Features

### Product Type Features

Ring Terminal Product Type	Closed Ring Tongue Terminal
Stud Size	1/4, M6
Sealable	No
Wire Insulation Support Retention Type	Non-Insulation Support

### Configuration Features

Number of Holes	1
-----------------	---

### Body Features

Product Weight	10 g
----------------	------

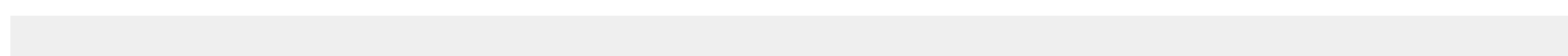
### Contact Features

Barrel Type	Closed
Terminal Orientation	Flag
Terminal Plating Material	Tin

### Mechanical Attachment

Wire Insulation Support	Without
-------------------------	---------

### Dimensions



Wire Size	20800 – 33100 CMA
Stud Diameter	6.73 mm[.265 in]
Tongue Thickness	.79 mm[.031 in]
Product Length	24.38 mm[.96 in]
Barrel Inside Diameter	5.69 mm[.224 in]

### Usage Conditions

Insulation Option	Uninsulated
Operating Temperature Range	170 °C[338 °F]

### Operation/Application

Compatible With Wire Base Material	Copper
Compatible With Wire Plating Material	Tin

### Industry Standards

Government Qualified Terminal	No
-------------------------------	----

### Packaging Features

Packaging Quantity	100
Packaging Method	Box

## Product Compliance

[For compliance documentation, visit the product page on TE.com>](#)

EU RoHS Directive 2011/65/EU	Compliant
EU ELV Directive 2000/53/EC	Compliant
China RoHS 2 Directive MIIT Order No 32, 2016	No Restricted Materials Above Threshold
EU REACH Regulation (EC) No. 1907/2006	Current ECHA Candidate List: JUNE 2023 (235) Candidate List Declared Against: JUNE 2023 (235) Does not contain REACH SVHC
Halogen Content	Low Halogen - Br, Cl, F, I < 900 ppm per homogenous material. Also BFR/CFR/PVC Free
Solder Process Capability	Not applicable for solder process capability

#### Product Compliance Disclaimer

This information is provided based on reasonable inquiry of our suppliers and represents our current actual knowledge based on the information they provided. This information is subject to change. The part numbers that TE has identified as EU RoHS compliant have a maximum concentration of 0.1% by weight in homogenous materials for lead, hexavalent chromium, mercury, PBB, PBDE, DBP, BBP, DEHP, DIBP, and 0.01% for cadmium, or qualify for an exemption to these

limits as defined in the Annexes of Directive 2011/65/EU (RoHS2). Finished electrical and electronic equipment products will be CE marked as required by Directive 2011/65/EU. Components may not be CE marked. Additionally, the part numbers that TE has identified as EU ELV compliant have a maximum concentration of 0.1% by weight in homogenous materials for lead, hexavalent chromium, and mercury, and 0.01% for cadmium, or qualify for an exemption to these limits as defined in the Annexes of Directive 2000/53/EC (ELV). Regarding the REACH Regulation, the information TE provides on SVHC in articles for this part number is based on the latest European Chemicals Agency (ECHA) 'Guidance on requirements for substances in articles' posted at this URL: <https://echa.europa.eu/guidance-documents/guidance-on-reach>

## Compatible Parts



TE Part # 1752681-3  
HYP10 SOLIS FLAG 6-2AWG INDENTER



TE Part # 1752680-7  
HYP10 SOLIS FLAG 6AWG NEST



TE Part # 48508  
HYP8 SOLIS FLAG 6AWG NEST

## Customers Also Bought



TE Part #2450984003  
ZHTM-40/20-0-SP



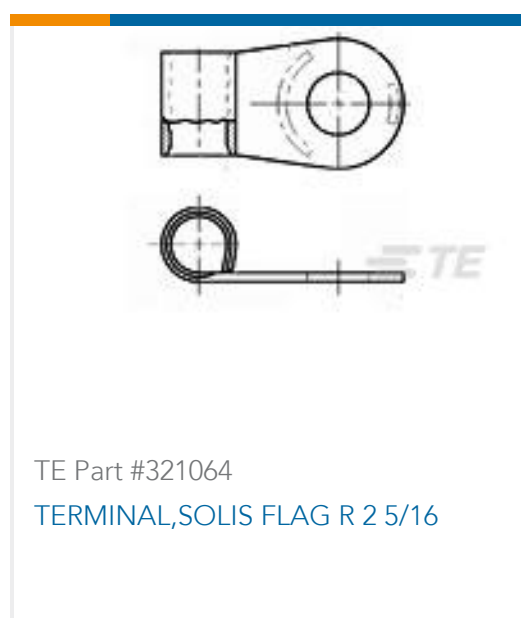
TE Part #5413194-1  
BNC, RT ANG, PCB, JACK



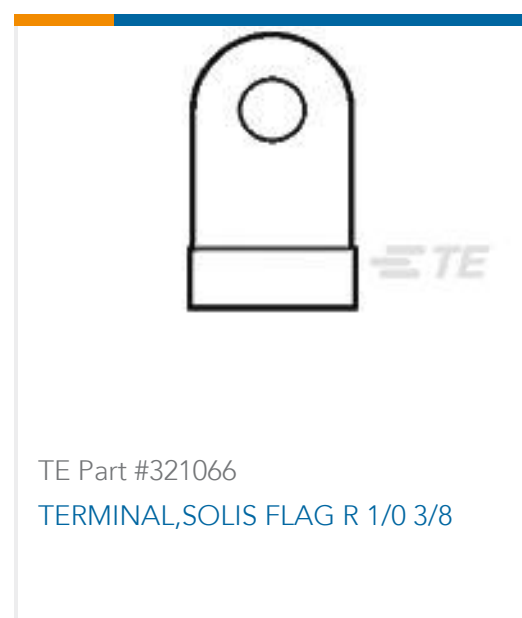
TE Part #5227161-9  
RTANG JACK W/MTG PINS, BNC PCB



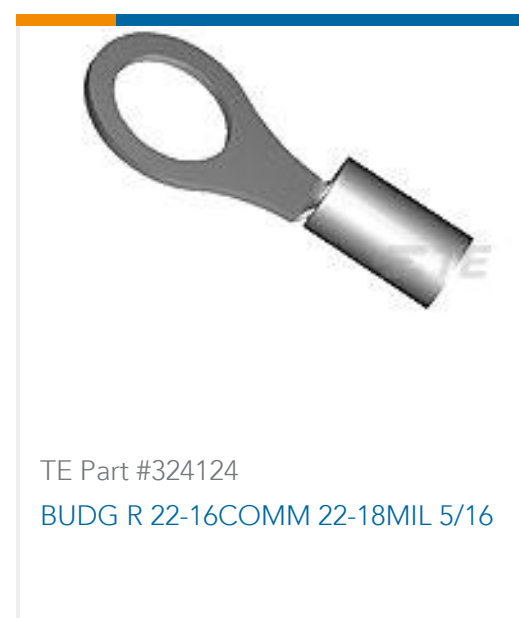
TE Part #5414363-3  
SMB Connector: Plug, Mated Outer Dia. 4.75mm, 50 Ohm



TE Part #321064  
TERMINAL, SOLIS FLAG R 2 5/16



TE Part #321066  
TERMINAL, SOLIS FLAG R 1/0 3/8



TE Part #324124  
BUDG R 22-16COMM 22-18MIL 5/16



TE Part #6-1879501-5  
CRGH2512 5% 470R 2W



TE Part #320855  
TERMINAL, SOLIS SPD FLG 16-14 6

## Documents



**Product Drawings**

**TERM,SOLIS, FLAG, R, 6, 1/4**

English

---

**CAD Files**

**3D PDF**

3D

**Customer View Model**

**ENG\_CVM\_CVM\_321576\_R.2d\_dxf.zip**

English

**Customer View Model**

**ENG\_CVM\_CVM\_321576\_R.3d\_igs.zip**

English

**Customer View Model**

**ENG\_CVM\_CVM\_321576\_R.3d\_stp.zip**

English

**3D PDF**

English

**Customer View Model**

**ENG\_CVM\_321576\_B.3d\_igs.zip**

English

**Customer View Model**

**ENG\_CVM\_321576\_B.3d\_stp.zip**

English

**Customer View Model**

**ENG\_CVM\_321576\_B.2d\_dxf.zip**

English

By downloading the CAD file I accept and agree to the [Terms and Conditions](#) of use.

---

**Product Environmental Compliance**

**Product Compliance**

English

**Product Compliance**

English

---

**Agency Approvals**

**UL Report**

English