

321198 ✓ ACTIVE

SOLISTRAND

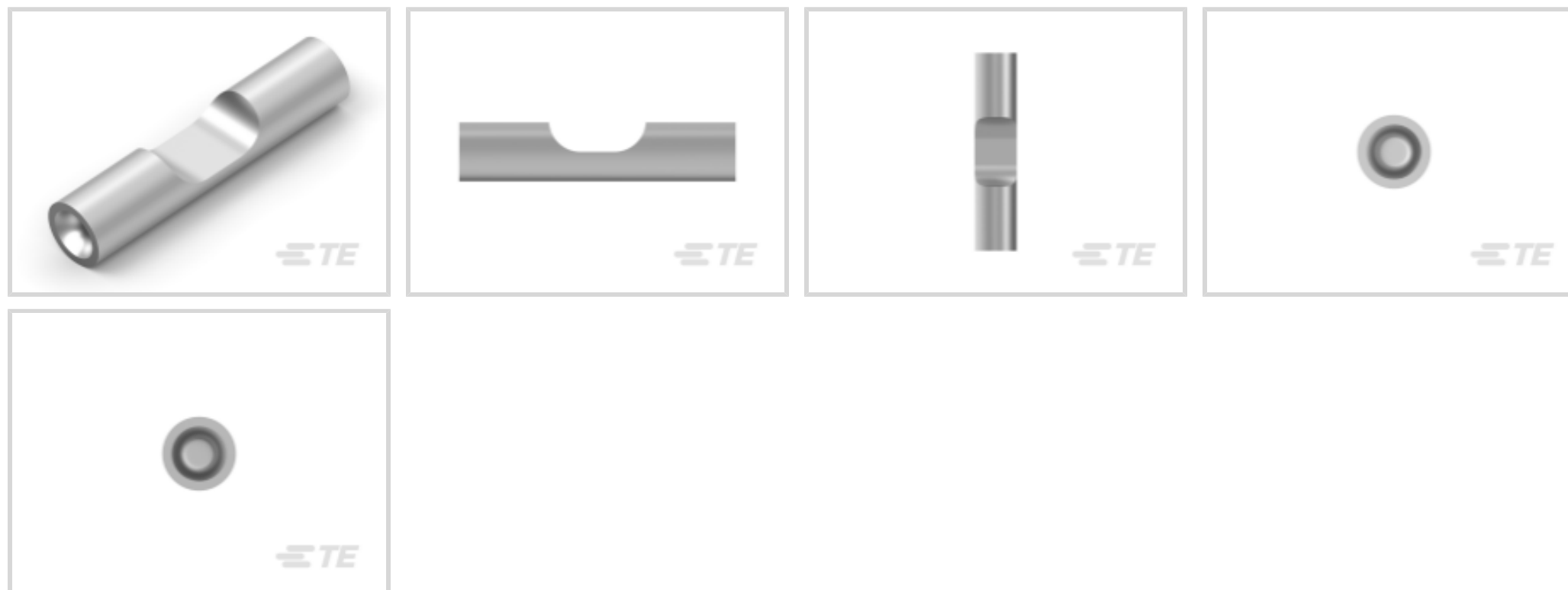
TE Internal #: 321198

Splices, Butt Splice, 26 – 22 AWG Wire Size, .1 – .41 mm<sup>2</sup> Wire Size, Serrated, .031 in [.79 mm] Barrel Inside Diameter, 202 – 810 CMA Wire Size

[View on TE.com >](#)



Terminals & Splices > Splices



Wire Size: .1 – .41 mm<sup>2</sup>

Sealable: No

Splice Features: **Serrated**

Barrel Inside Diameter: .79 mm [.031 in]

### Features

#### Product Type Features

Splice Accessory Type	Splice
Sealable	No
Splice Type	Butt Splice
Compatible With Discrete Wire Type	Solid, Stranded
Wire Insulation Support Retention Type	Non-Insulation Support

#### Configuration Features

Number of Serrations	5
Compatible With Wire & Cable Type	Discrete Wire

#### Body Features

Product Weight	.144 g
Splice Features	Serrated

#### Contact Features

	100 μin
Terminal Plating Material	Tin



Contact Base Material	Copper
-----------------------	--------

Barrel Type	Closed
-------------	--------

### Mechanical Attachment

Wire Insulation Support	Without
-------------------------	---------

### Dimensions

Outside Diameter	2.08 mm[.082 in]
------------------	------------------

Wire Size	202 – 810 CMA
-----------	---------------

Barrel Inside Diameter	.79 mm[.031 in]
------------------------	-----------------

Terminal Material Thickness	.46 mm[.018 in]
-----------------------------	-----------------

Product Length	9.78 mm[.385 in]
----------------	------------------

### Usage Conditions

Insulation Option	Uninsulated
-------------------	-------------

Operating Temperature Range	170 °C[338 °F]
-----------------------------	----------------

### Operation/Application

Compatible With Wire Base Material	Copper
------------------------------------	--------

### Industry Standards

Government Qualified Splice	No
-----------------------------	----

### Packaging Features

Packaging Quantity	1000
--------------------	------

Packaging Method	Loose Piece
------------------	-------------

### Product Compliance

[For compliance documentation, visit the product page on TE.com>](#)

EU RoHS Directive 2011/65/EU	Compliant
------------------------------	-----------

EU ELV Directive 2000/53/EC	Compliant
-----------------------------	-----------

China RoHS 2 Directive MIIT Order No 32, 2016	No Restricted Materials Above Threshold
---	---

EU REACH Regulation (EC) No. 1907/2006	Current ECHA Candidate List: JUNE 2023 (235) Candidate List Declared Against: JUNE 2023 (235) Does not contain REACH SVHC
--	---

Halogen Content	Low Halogen - Br, Cl, F, I < 900 ppm per homogenous material. Also BFR/CFR/PVC Free
-----------------	---

Solder Process Capability

Not applicable for solder process capability

Product Compliance Disclaimer

This information is provided based on reasonable inquiry of our suppliers and represents our current actual knowledge based on the information they provided. This information is subject to change. The part numbers that TE has identified as EU RoHS compliant have a maximum concentration of 0.1% by weight in homogenous materials for lead, hexavalent chromium, mercury, PBB, PBDE, DBP, BBP, DEHP, DIBP, and 0.01% for cadmium, or qualify for an exemption to these limits as defined in the Annexes of Directive 2011/65/EU (RoHS2). Finished electrical and electronic equipment products will be CE marked as required by Directive 2011/65/EU. Components may not be CE marked. Additionally, the part numbers that TE has identified as EU ELV compliant have a maximum concentration of 0.1% by weight in homogenous materials for lead, hexavalent chromium, and mercury, and 0.01% for cadmium, or qualify for an exemption to these limits as defined in the Annexes of Directive 2000/53/EC (ELV). Regarding the REACH Regulation, the information TE provides on SVHC in articles for this part number is based on the latest European Chemicals Agency (ECHA) 'Guidance on requirements for substances in articles' posted at this URL: <https://echa.europa.eu/guidance-documents/guidance-on-reach>

## Compatible Parts



REPRESENTATION ONLY

TE Part # 69363  
DAHT STRATO SOLIS 26-20 ASSY

## Customers Also Bought



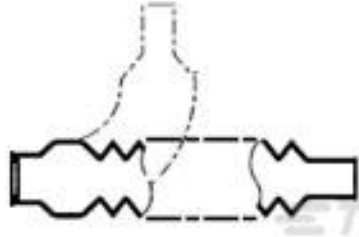
TE Part #640251-3  
03P SL156 HSG W/O RAMP NATL



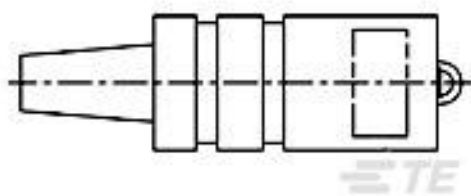
TE Part #7-1676481-9  
CPF 0603 13K 0.1% 25PPM 1K RL



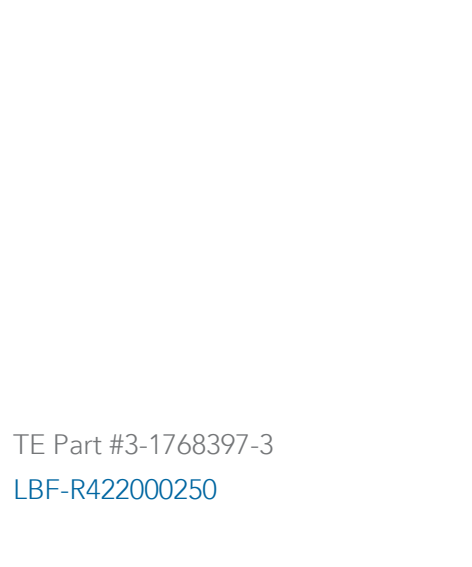
TE Part #61813-1  
093 FASTON REC 26-22 AWG TPBR



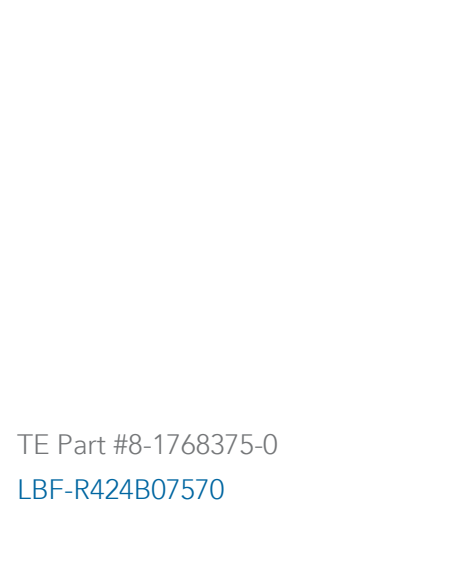
TE Part #889088-000  
202C642-71/42-0



TE Part #859113-1  
SOCKET & BUSHING ASSY



TE Part #3-1768397-3  
LBF-R422000250



TE Part #8-1768375-0  
LBF-R424B07570

## Documents

**Product Drawings**  
SPLICE,SOLIS BUTT 26-22



English

---

**CAD Files**

**3D PDF**

3D

**Customer View Model**

[ENG\\_CVM\\_CVM\\_321198\\_G.2d\\_dxf.zip](#)

English

**Customer View Model**

[ENG\\_CVM\\_CVM\\_321198\\_G.3d\\_igs.zip](#)

English

**Customer View Model**

[ENG\\_CVM\\_CVM\\_321198\\_G.3d\\_stp.zip](#)

English

By downloading the CAD file I accept and agree to the [Terms and Conditions](#) of use.

---

**Datasheets & Catalog Pages**

**SOLISTRAND - QRG**

English

---

**Product Environmental Compliance**

**SPLICE,SOLIS BUTT 26-22**

English

**SPLICE,SOLIS BUTT 26-22**

English

---

**Agency Approvals**

**UL Report**

English