

321017 ✓ ACTIVE

PIDG

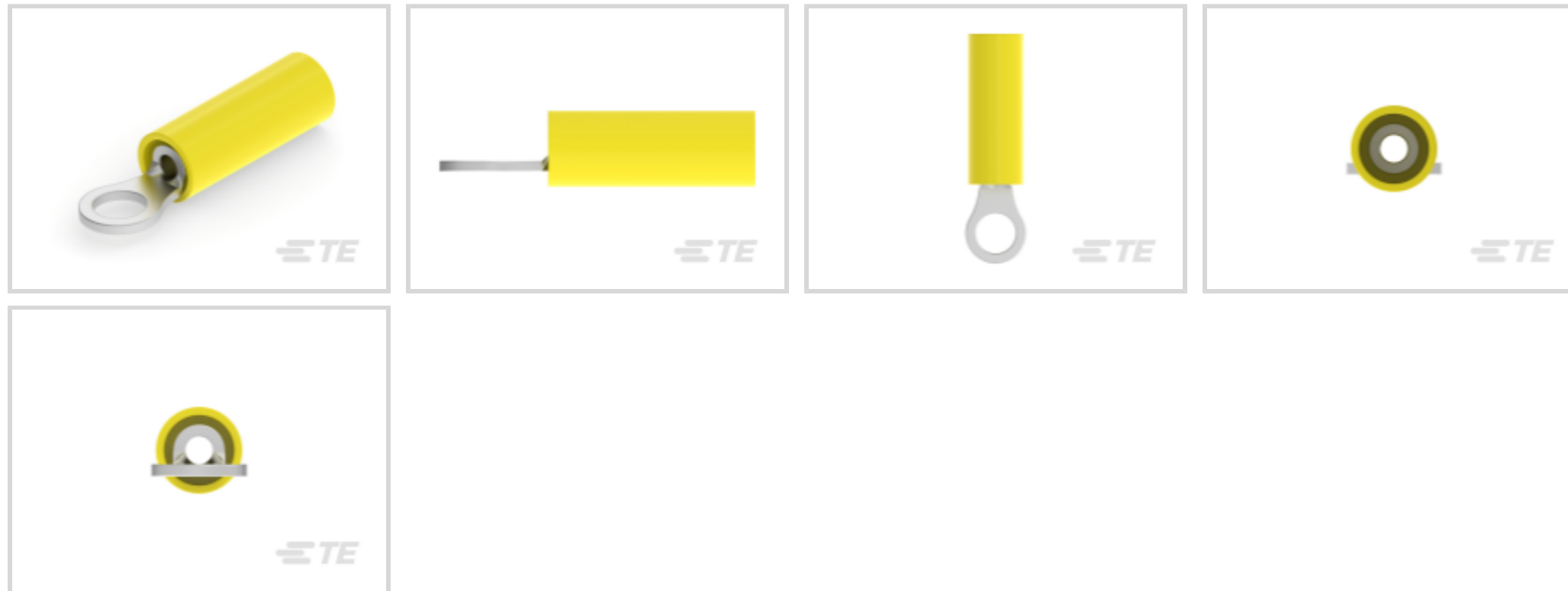
TE Internal #: 321017

Closed Ring Tongue Terminal, 26 – 22 AWG, M2.5 / #4 Stud Size,
3.02 mm [.119 in] Stud Diameter, Closed Barrel, Straight, Tin, PIDG

[View on TE.com >](#)



Terminals & Splices > Ring Terminals



Ring Terminal Product Type: **Closed Ring Tongue Terminal**

Wire Size: **202 – 810 CMA**

Stud Size: **#4, M2.5**

Features

Product Type Features

| | |
|--|-----------------------------|
| Ring Terminal Product Type | Closed Ring Tongue Terminal |
| Stud Size | #4, M2.5 |
| Sealable | No |
| Wire Insulation Support Retention Type | Insulation Support |

Configuration Features

| | |
|-----------------|---|
| Number of Holes | 1 |
|-----------------|---|

Electrical Characteristics

| | |
|----------------|-------|
| Voltage Rating | 300 V |
|----------------|-------|

Body Features

| | |
|----------------|--------|
| Product Weight | .232 g |
|----------------|--------|

Contact Features

| | |
|---------------------------|----------|
| Military Part Class | Class II |
| Barrel Type | Closed |
| Terminal Orientation | Straight |
| Terminal Plating Material | Tin |



Mechanical Attachment

| | |
|-------------------------|------|
| Wire Insulation Support | With |
|-------------------------|------|

Dimensions

| | |
|--------------------------------------|-------------------------------|
| Wire Size | 202 – 810 CMA |
| Stud Diameter | 3.02 mm [.119 in] |
| Tongue Thickness | .79 mm [.031 in] |
| Product Length | 16.41 mm [.646 in] |
| Compatible Insulation Diameter (Max) | 2.03 mm [.08 in] |
| Compatible Insulation Diameter Range | 1.27 – 2.03 mm [.05 – .08 in] |

Usage Conditions

| | |
|-----------------------------|---------------------|
| Insulation Option | Partially Insulated |
| Operating Temperature Range | 105 °C [221 °F] |

Operation/Application

| | |
|---------------------------------------|--------|
| Compatible With Wire Base Material | Copper |
| Compatible With Wire Plating Material | Tin |

Industry Standards

| | |
|-------------------------------|----|
| Government Qualified Terminal | No |
|-------------------------------|----|

Packaging Features

| | |
|--------------------|------|
| Packaging Quantity | 1000 |
| Packaging Method | Box |

Product Compliance

[For compliance documentation, visit the product page on TE.com>](#)

| | |
|---|---|
| EU RoHS Directive 2011/65/EU | Compliant |
| EU ELV Directive 2000/53/EC | Compliant |
| China RoHS 2 Directive MIIT Order No 32, 2016 | No Restricted Materials Above Threshold |
| EU REACH Regulation (EC) No. 1907/2006 | Current ECHA Candidate List: JUNE 2023 (235) Candidate List Declared Against: JUNE 2023 (235) Does not contain REACH SVHC |
| Halogen Content | Not Low Halogen - contains Br or Cl > 900 ppm. |
| Solder Process Capability | Not applicable for solder process capability |

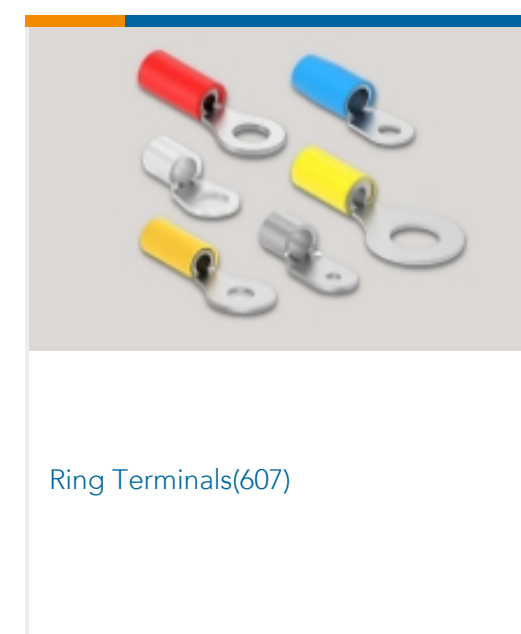
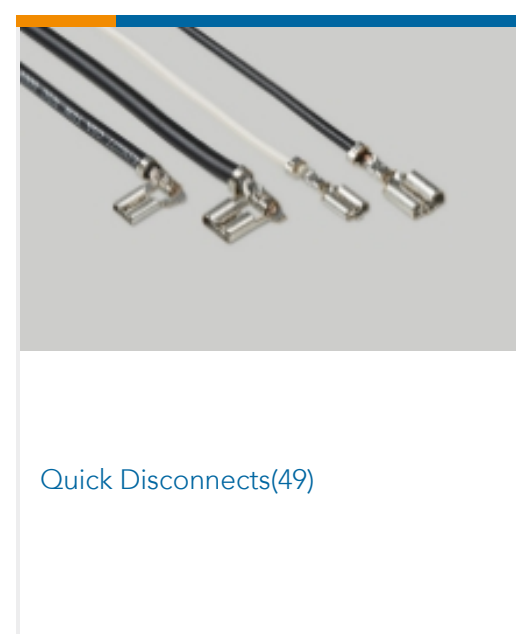
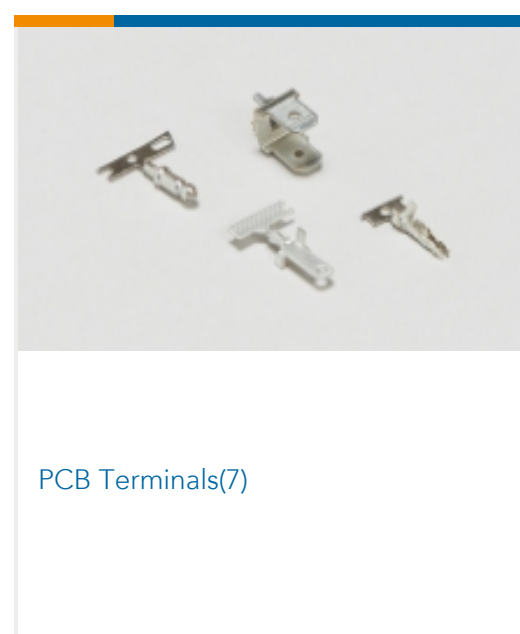
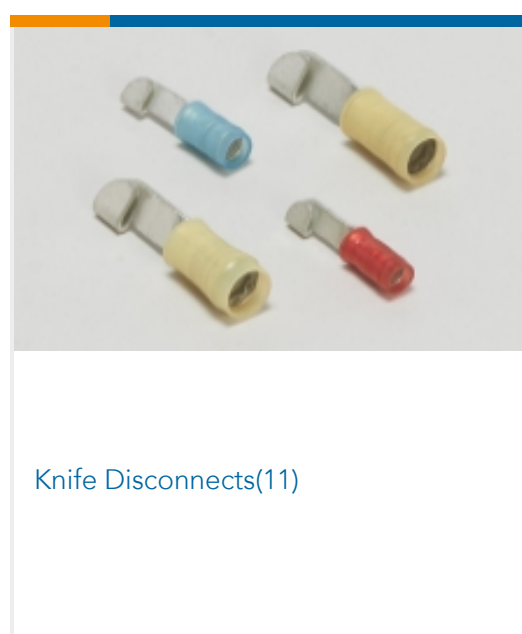
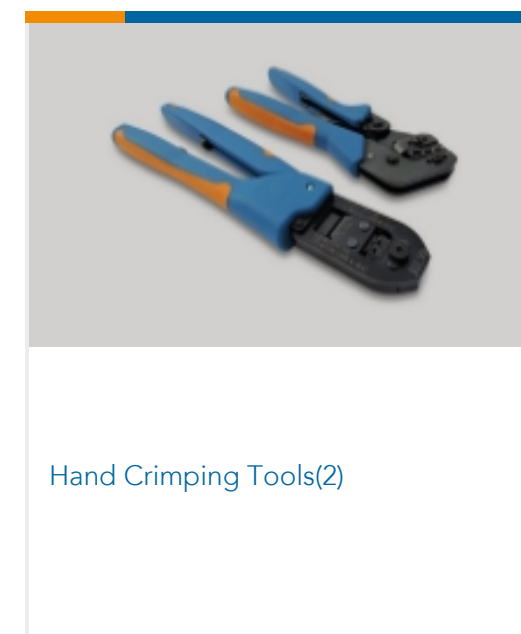
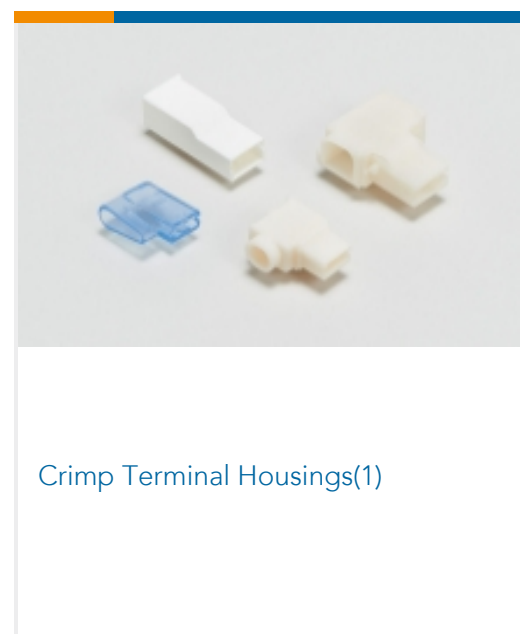
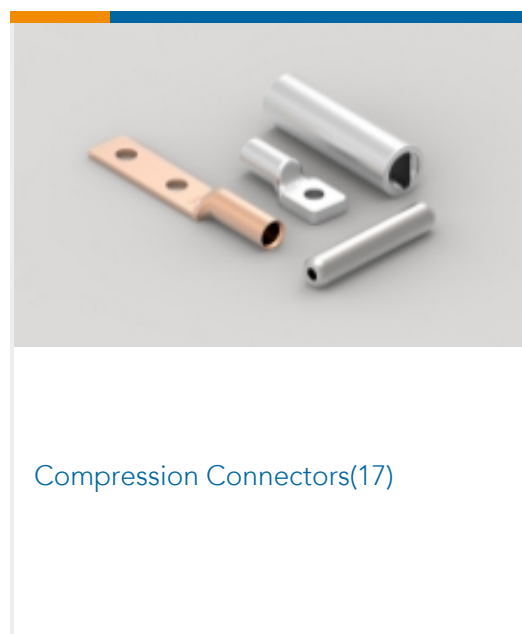
Product Compliance Disclaimer

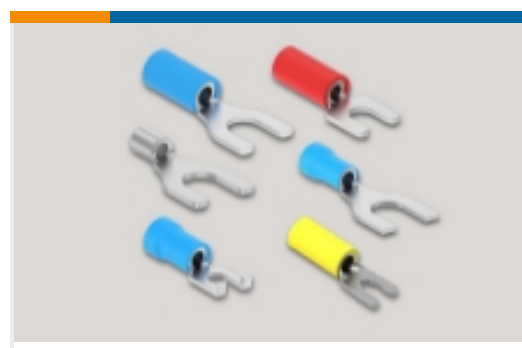
This information is provided based on reasonable inquiry of our suppliers and represents our current actual knowledge based on the information they provided. This information is subject to change. The part numbers that TE has identified as EU RoHS compliant have a maximum concentration of 0.1% by weight in homogenous materials for lead, hexavalent chromium, mercury, PBB, PBDE, DBP, BBP, DEHP, DIBP, and 0.01% for cadmium, or qualify for an exemption to these limits as defined in the Annexes of Directive 2011/65/EU (RoHS2). Finished electrical and electronic equipment products will be CE marked as required by Directive 2011/65/EU. Components may not be CE marked. Additionally, the part numbers that TE has identified as EU ELV compliant have a maximum concentration of 0.1% by weight in homogenous materials for lead, hexavalent chromium, and mercury, and 0.01% for cadmium, or qualify for an exemption to these limits as defined in the Annexes of Directive 2000/53/EC (ELV). Regarding the REACH Regulation, the information TE provides on SVHC in articles for this part number is based on the latest European Chemicals Agency (ECHA) 'Guidance on requirements for substances in articles' posted at this URL: <https://echa.europa.eu/guidance-documents/guidance-on-reach>

Compatible Parts

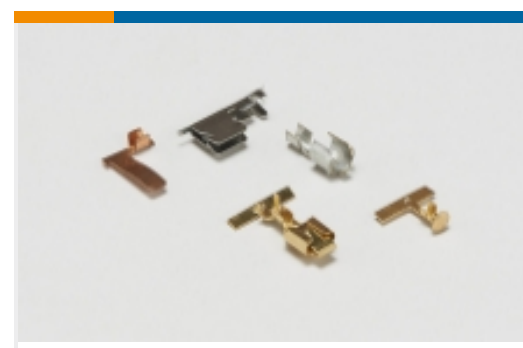


Also in the Series | PIDG





Spade Terminals(231)

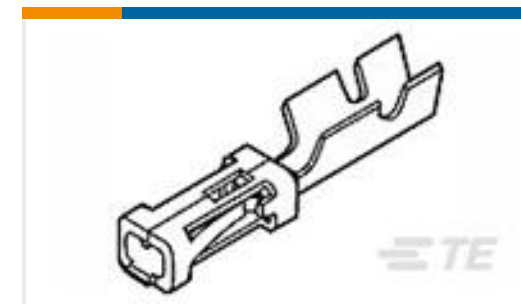
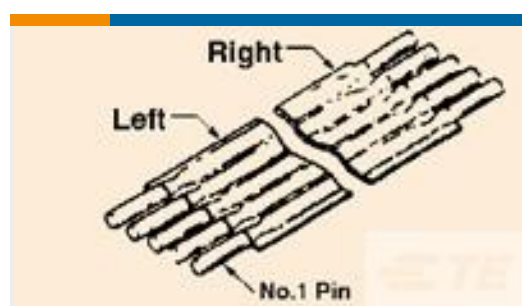
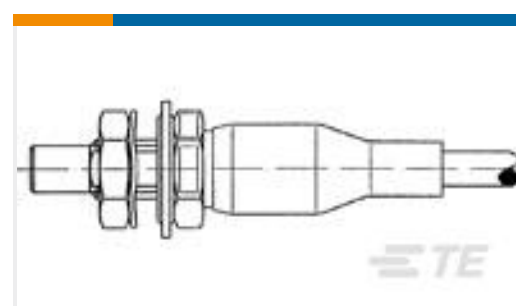


Special Purpose Terminals(1)



Splices(45)

Customers Also Bought

TE Part #520974-2
ULTRA-POD 250 ASSY REC 14-12
AWG TPBRTE Part #6609113-6
3CFS1 S0=F7824TE Part #4-1609157-9
IEC Filtered Inlets, Corcom EJT SeriesTE Part #6-87523-8
MOD IV RECP PLTD 30 DPLXTE Part #2-6447164-4
FSN-12A-4TE Part #ZPF000000000008914
983-6SE 18-14 PNTE Part #171071-000
DK-3716-E202-TS

Documents

Product Drawings

[TERMINAL,PIDG R 26-22 4](#)

English

CAD Files

[3D PDF](#)

3D

Customer View Model

[ENG_CVM_CVM_321017_T.2d_dxf.zip](#)

English

Customer View Model

[ENG_CVM_CVM_321017_T.3d_igs.zip](#)

English

Customer View Model

[ENG_CVM_CVM_321017_T.3d_stp.zip](#)

English

[3D PDF](#)



English

Customer View Model

[ENG_CVM_321017_N.3d_igs.zip](#)

English

Customer View Model

[ENG_CVM_321017_N.3d_stp.zip](#)

English

Customer View Model

[ENG_CVM_321017_N.2d_dxf.zip](#)

English

By downloading the CAD file I accept and agree to the [Terms and Conditions](#) of use.

Product Specifications

[Application Specification](#)

English

Agency Approvals

[UL Report](#)

English

[UL Report](#)

English