

31894 ✓ ACTIVE

PIDG

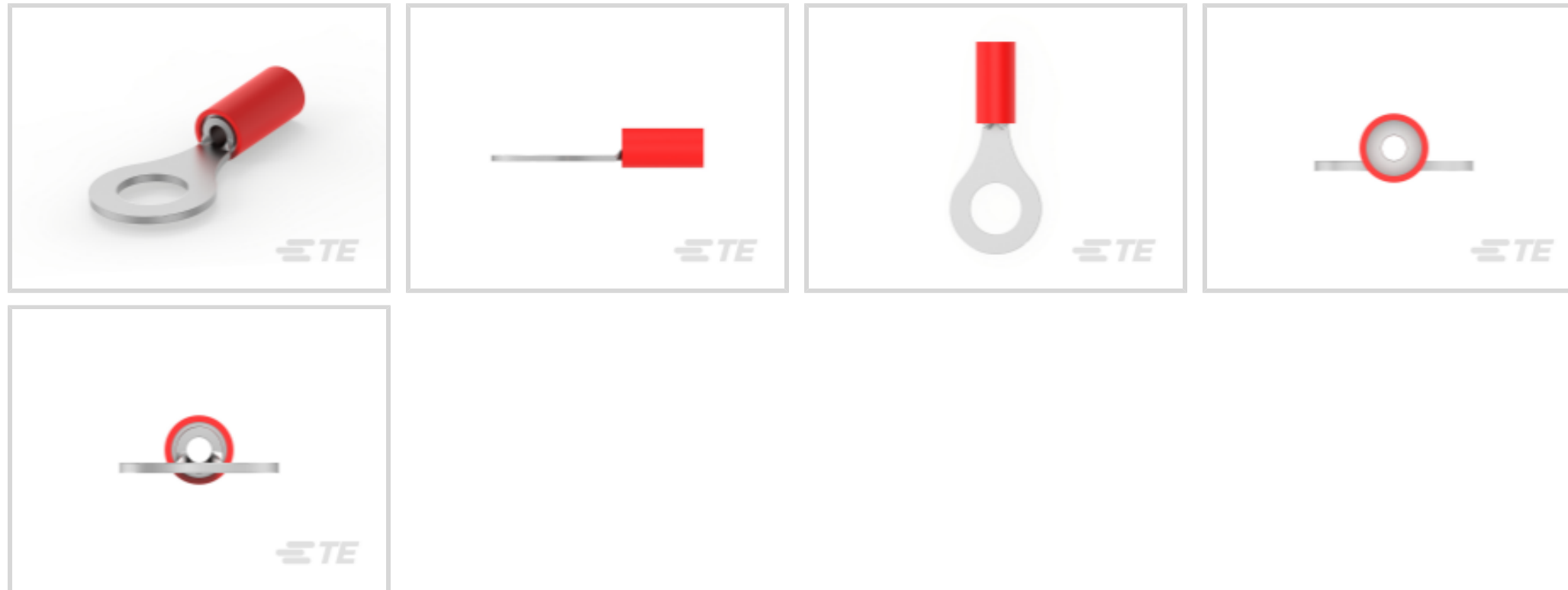
TE Internal #: 31894

Closed Ring Tongue Terminal, 22 AWG, M6 Stud Size, 6.73 mm [.265 in] Stud Diameter, Closed Barrel, Straight, Tin, Partially Insulated, PIDG

[View on TE.com >](#)



Terminals & Splices > Ring Terminals > PIDG Ring Tongue Terminals



Ring Terminal Product Type: Closed Ring Tongue Terminal

Wire Size: 509 – 3260 CMA

Stud Size: M6

[All PIDG Ring Tongue Terminals \(418\)](#)

Features

Product Type Features

Ring Terminal Product Type	Closed Ring Tongue Terminal
Stud Size	M6
Sealable	No
Wire Insulation Support Retention Type	Insulation Support

Configuration Features

Number of Holes	1
-----------------	---

Electrical Characteristics

Voltage Rating	300 V
----------------	-------

Body Features

Product Weight	1.278 g
----------------	---------

Contact Features

Military Part Class	Class I
Barrel Type	Closed



Terminal Orientation	Straight
----------------------	----------

Terminal Plating Material	Tin
---------------------------	-----

Mechanical Attachment

Wire Insulation Support	With
-------------------------	------

Dimensions

Wire Size	509 – 3260 CMA
-----------	----------------

Stud Diameter	6.73 mm[.265 in]
---------------	------------------

Tongue Thickness	.79 mm[.031 in]
------------------	-----------------

Product Length	27.38 mm[1.078 in]
----------------	--------------------

Compatible Insulation Diameter (Max)	3.56 mm[.14 in]
--------------------------------------	-----------------

Compatible Insulation Diameter Range	2.67 – 3.56 mm[.105 – .14 in]
--------------------------------------	-------------------------------

Usage Conditions

Insulation Option	Partially Insulated
-------------------	---------------------

Operating Temperature Range	105 °C[221 °F]
-----------------------------	----------------

Operation/Application

Compatible With Wire Base Material	Copper
------------------------------------	--------

Compatible With Wire Plating Material	Tin
---------------------------------------	-----

Industry Standards

Government Qualified Terminal	Yes
-------------------------------	-----

Packaging Features

Packaging Quantity	1000
--------------------	------

Packaging Method	Loose Piece
------------------	-------------

Other

Terminals & Splices Comment	Available On-Tape for Automatic Termination.
-----------------------------	--

Product Compliance

[For compliance documentation, visit the product page on TE.com>](#)

EU RoHS Directive 2011/65/EU	Compliant
------------------------------	-----------

EU ELV Directive 2000/53/EC	Compliant
-----------------------------	-----------

China RoHS 2 Directive MIIT Order No 32, 2016	No Restricted Materials Above Threshold
---	---

EU REACH Regulation (EC) No. 1907/2006	Current ECHA Candidate List: JUNE 2023 (235)
--	--



Candidate List Declared Against: JUNE 2023 (235)

Does not contain REACH SVHC

Halogen Content

Low Halogen - Br, Cl, F, I < 900 ppm per homogenous material. Also BFR/CFR/PVC Free

Solder Process Capability

Not applicable for solder process capability

Product Compliance Disclaimer

This information is provided based on reasonable inquiry of our suppliers and represents our current actual knowledge based on the information they provided. This information is subject to change. The part numbers that TE has identified as EU RoHS compliant have a maximum concentration of 0.1% by weight in homogenous materials for lead, hexavalent chromium, mercury, PBB, PBDE, DBP, BBP, DEHP, DIBP, and 0.01% for cadmium, or qualify for an exemption to these limits as defined in the Annexes of Directive 2011/65/EU (RoHS2). Finished electrical and electronic equipment products will be CE marked as required by Directive 2011/65/EU. Components may not be CE marked. Additionally, the part numbers that TE has identified as EU ELV compliant have a maximum concentration of 0.1% by weight in homogenous materials for lead, hexavalent chromium, and mercury, and 0.01% for cadmium, or qualify for an exemption to these limits as defined in the Annexes of Directive 2000/53/EC (ELV). Regarding the REACH Regulation, the information TE provides on SVHC in articles for this part number is based on the latest European Chemicals Agency (ECHA) 'Guidance on requirements for substances in articles' posted at this URL: <https://echa.europa.eu/guidance-documents/guidance-on-reach>

Compatible Parts

TE Part # 59824-1
TETRA-CRIMP PIDG PG FASTON 22-10 ASSY

TE Part # 47386
DAHT PG PIDG 26-16 ASSY

TE Part # 47386-4
DAHT PG PIDG 26-16 ASSY

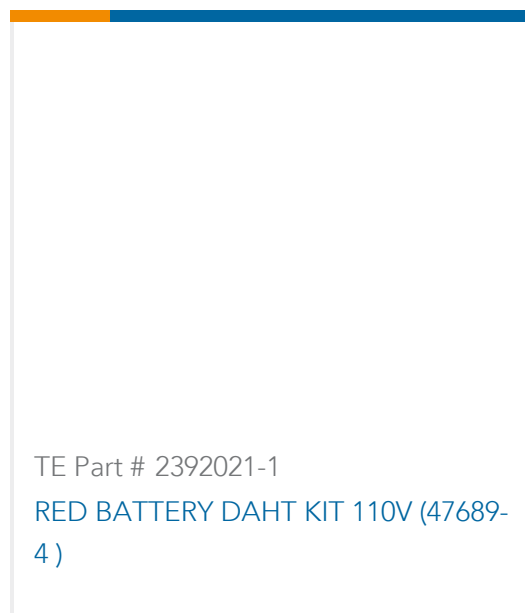
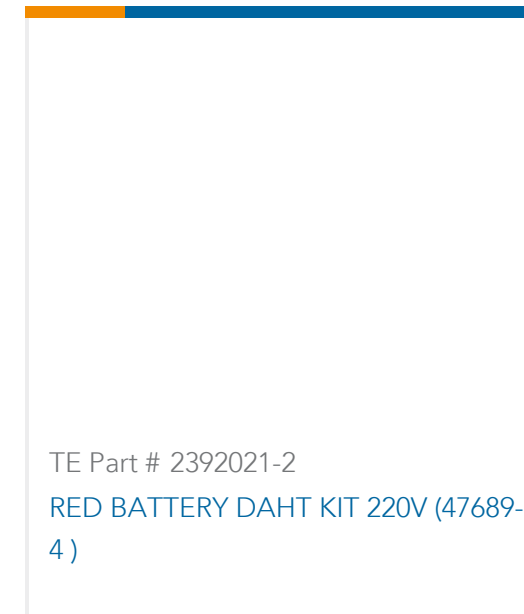
TE Part # 59250
T-HEAD PIDG 26-14 ASSY

TE Part # 58423-1
DIE, RBY IS9252

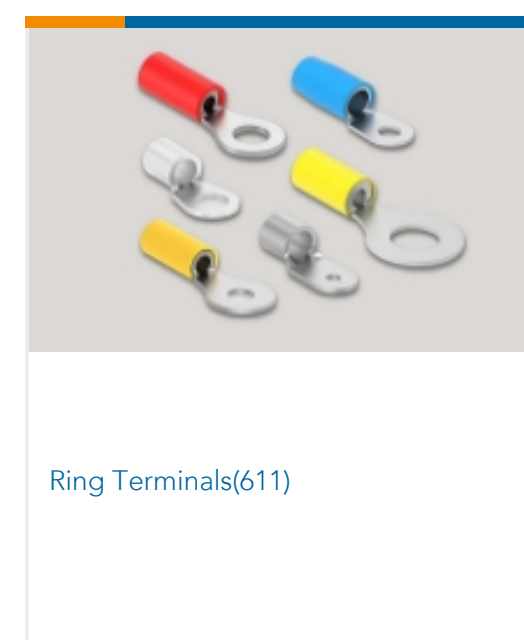
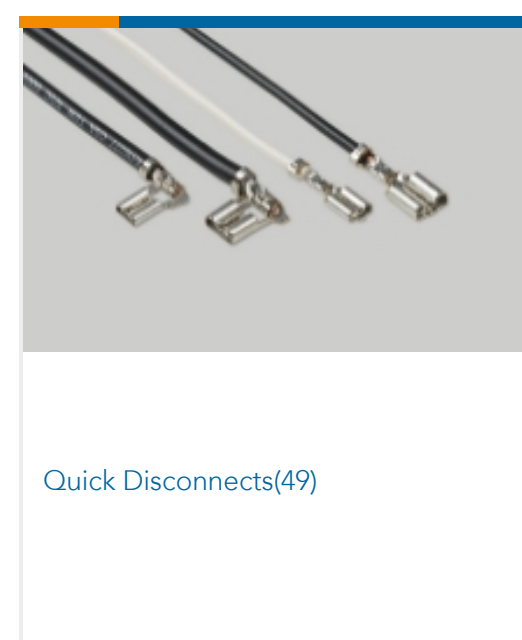
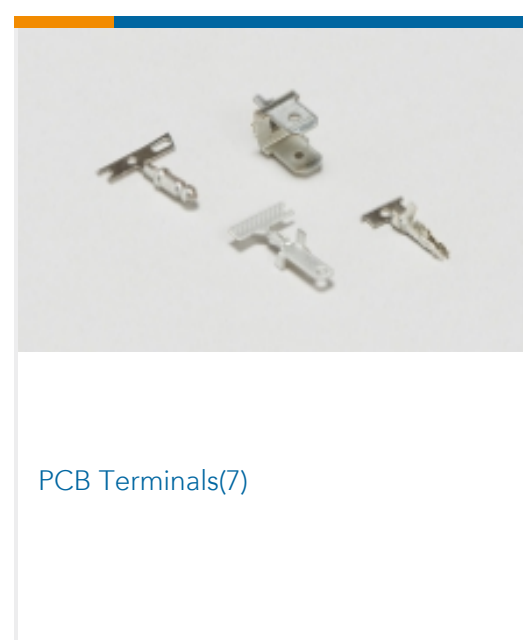
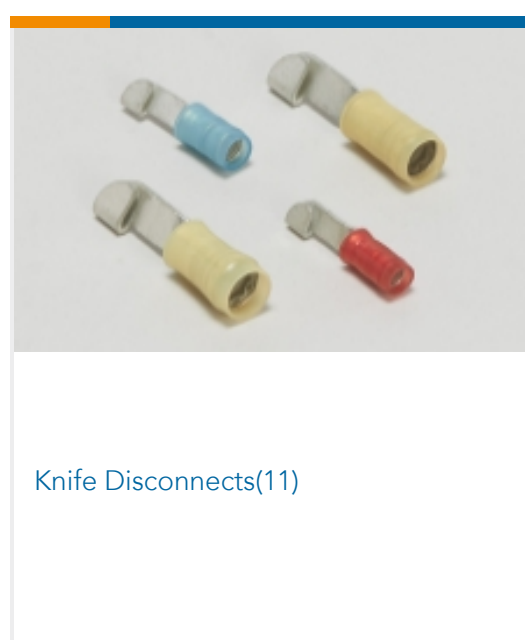
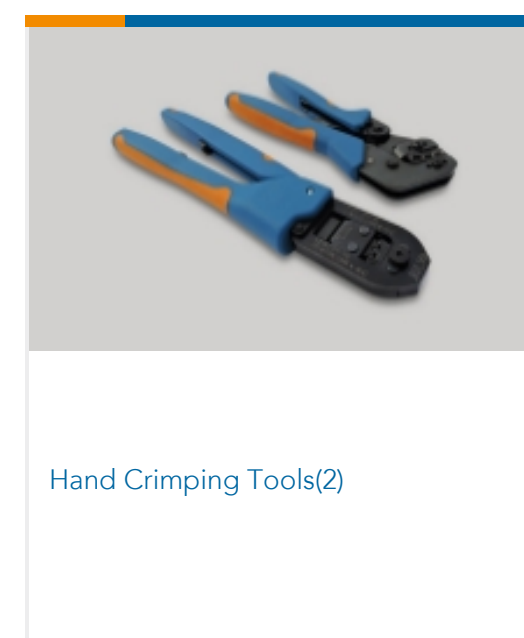
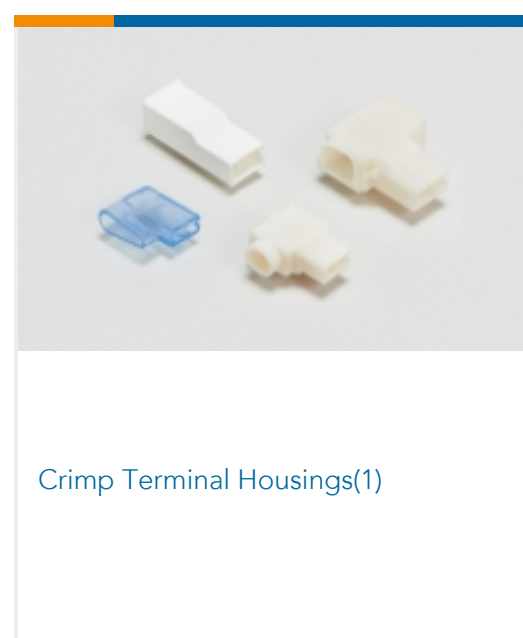
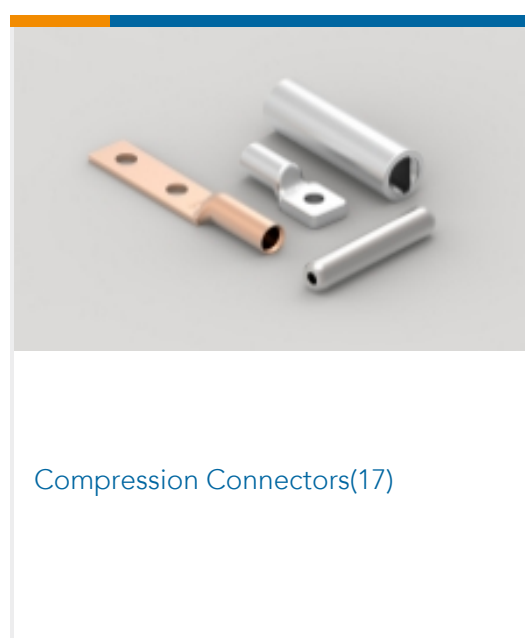
TE Part # 58433-3
PRO CR ASSY, RBY IS9252

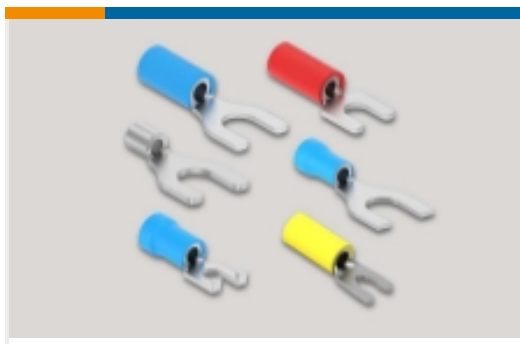
TE Part # 525690
DAHT PG PIDG 20-18 ASSY

TE Part # 539691-2
ERGO DIE R.B.Y



Also in the Series | PIDG





Spade Terminals(233)

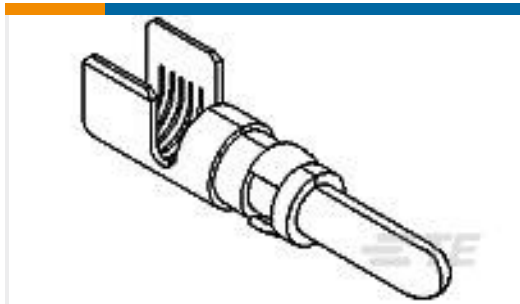


Special Purpose Terminals(1)

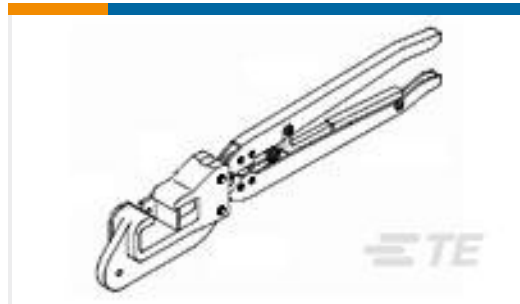


Splices(46)

Customers Also Bought



TE Part #213841-3
POWERBAND CONT ASSY,SILVER PLT



TE Part #69710-1
C-HEAD FRAME W/O DIES



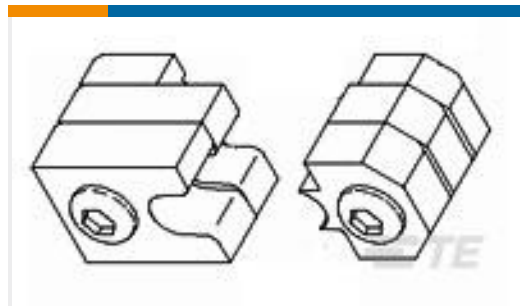
TE Part #66593-4
TYPE VI PIN,MULTI-MATE,L.P.



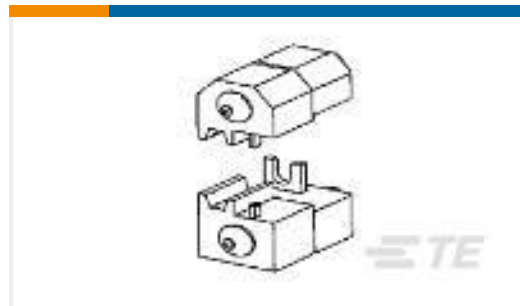
TE Part #66587-2
TYPE VI PIN,MULTI-MATE,L.P.



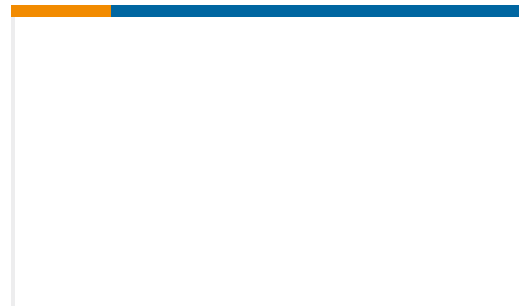
TE Part #202508-1
CONTACT SOCKET ASSY.



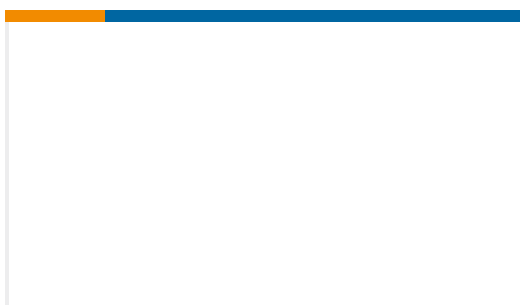
TE Part #356611-1
DIES POWERBAND CONT 8 AWG DIE SET



TE Part #356611-2
DIES POWERBAND CONT 10 AWG DIE SET



TE Part #03561310-000
LVDT 250 MHR-3882 ASSEMBLY



TE Part #20009558-00
PRESS XDCR M5254-000014-15KPG

Documents

Product Drawings

[PIDG R 22-16 COMM 22-18MIL 1/4](#)

English

CAD Files

Customer View Model

[ENG_CVM_CVM_31894_AE.2d_dxf.zip](#)

English

[3D PDF](#)



3D

Customer View Model

[ENG_CVM_CVM_31894_AE.3d_igs.zip](#)

English

Customer View Model

[ENG_CVM_CVM_31894_AE.3d_stp.zip](#)

English

By downloading the CAD file I accept and agree to the [Terms and Conditions](#) of use.

Datasheets & Catalog Pages

[PIDG TERMINALS & SPLICES Quick Reference Guide](#)

English

Product Specifications

[Application Specification](#)

English

Product Environmental Compliance

[Product Compliance Document](#)

English

[Product Compliance Document](#)

English

Agency Approvals

[UL Report](#)

English

[UL Report](#)

English