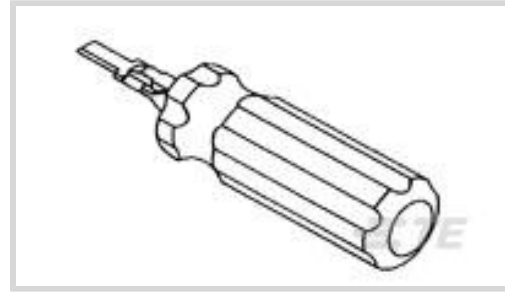




Application Tooling > Insertion & Extraction Tools



Insertion & Extraction Tool Type: **Contact Extraction**

Insertion & Extraction Tool Application: **Contact-to-Housing**

Features

Product Type Features

Insertion & Extraction Tool Type	Contact Extraction
Insertion & Extraction Tool Application	Contact-to-Housing

Product Compliance

[For compliance documentation, visit the product page on TE.com>](#)

EU RoHS Directive 2011/65/EU	Out of Scope
EU ELV Directive 2000/53/EC	Out of Scope
China RoHS 2 Directive MIIT Order No 32, 2016	Not reviewed for China RoHS compliance
EU REACH Regulation (EC) No. 1907/2006	Current ECHA Candidate List: JUNE 2023 (235) Candidate List Declared Against: JUL 2021 (219) Does not contain REACH SVHC
Halogen Content	Low Halogen - Br, Cl, F, I < 900 ppm per homogenous material. Also BFR/CFR/PVC Free
Solder Process Capability	Not applicable for solder process capability

Product Compliance Disclaimer

This information is provided based on reasonable inquiry of our suppliers and represents our current actual knowledge based on the information they provided. This information is subject to change. The part numbers that TE has identified as EU RoHS compliant have a maximum concentration of 0.1% by weight in homogenous materials for lead, hexavalent chromium, mercury, PBB, PBDE, DBP, BBP, DEHP, DIBP, and 0.01% for cadmium, or qualify for an exemption to these limits as defined in the Annexes of Directive 2011/65/EU (RoHS2). Finished electrical and electronic equipment products will be CE marked as required by Directive 2011/65/EU. Components may not be CE marked. Additionally, the part numbers that TE has identified as EU ELV compliant have a maximum concentration of 0.1% by weight in homogenous materials for lead, hexavalent chromium, and mercury, and 0.01% for cadmium, or qualify for an exemption to these limits as defined in the Annexes of Directive 2000/53/EC (ELV). Regarding the REACH Regulation, the information TE provides on SVHC in articles for this part number is based on the latest European Chemicals Agency (ECHA) 'Guidance on

requirements for substances in articles' posted at this URL: <https://echa.europa.eu/guidance-documents/guidance-on-reach>

Compatible Parts



TE Part # 350389-1
.140 DIA PIN 20-14 PTPBR L/P



TE Part # 350390-1
.140 DIA SOK 14-10 PTPBR L/P



TE Part # 350200-2
.140 DIA SOK 14-10 PTPPHBZ



TE Part # 350200-1
.140 DIA SOK 14-10 PTPBR



TE Part # 61627-1
.140 DIA PIN 20-14 PTPBR



TE Part # 350201-1
.140 DIA PIN 14-10 PTPBR



TE Part # 61626-2
.140 DIA SOK 20-14 PTPPHBZ



TE Part # 61626-1
.140 DIA SOK 20-14 PTPBR



TE Part # 350388-1
.140 DIA SOK 20-14 PTPBR L/P



TE Part # 350391-1
.140 DIA PIN 14-10 PTPBR L/P



TE Part # 61627-2
.140 DIA PIN 20-14 PTPPHBZ



TE Part # 350390-2
.140 DIA SOK 14-10 PTPPHBZ L/P



TE Part # 350201-2
.140 DIA PIN 14-10 PTPPHBZ

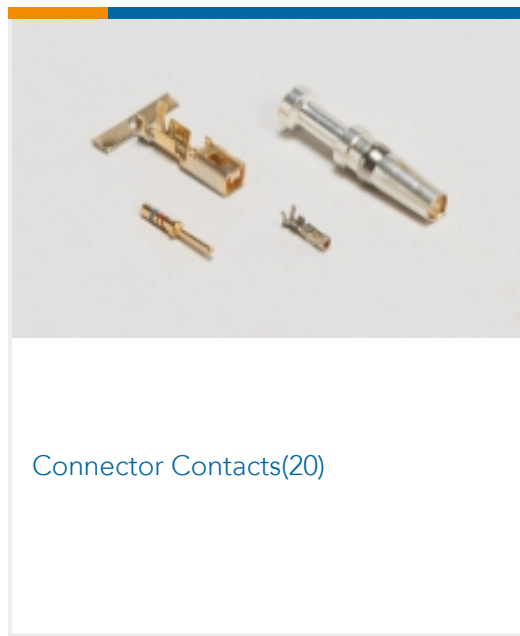


TE Part # 350391-2
.140 DIA PIN 14-10 PTPPHBZ L/P

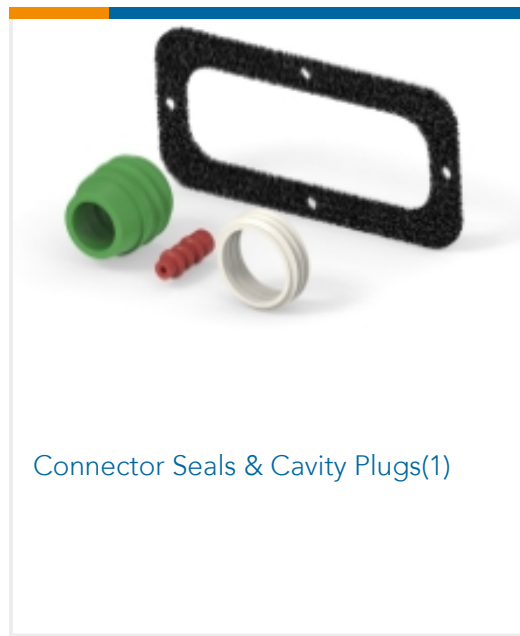
Also in the Series | **Commercial MATE-N-LOK**



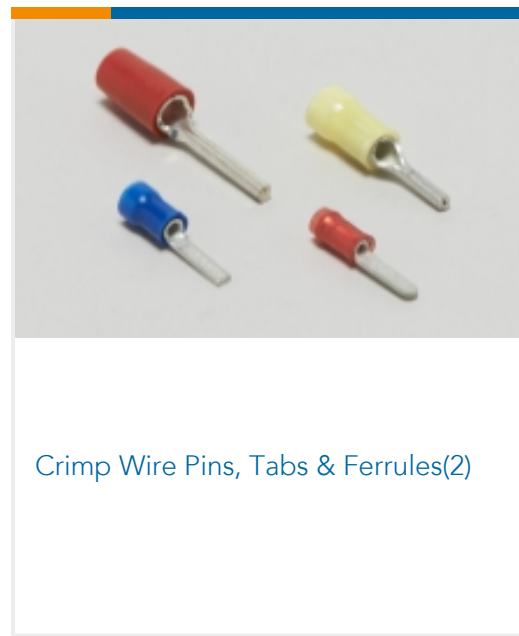
Connector Caps & Covers(2)



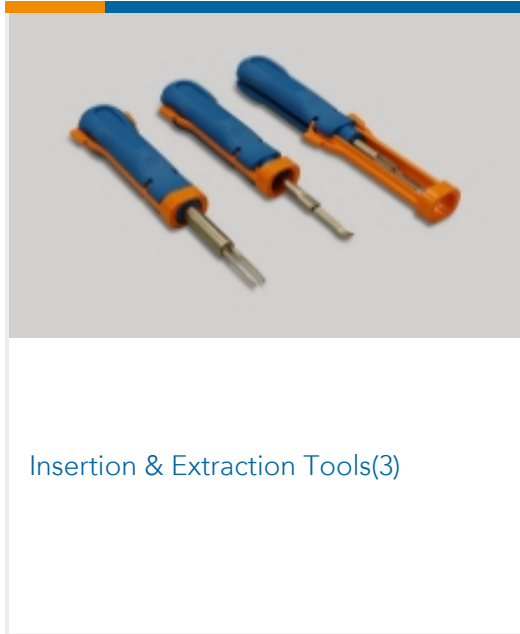
Connector Contacts(20)



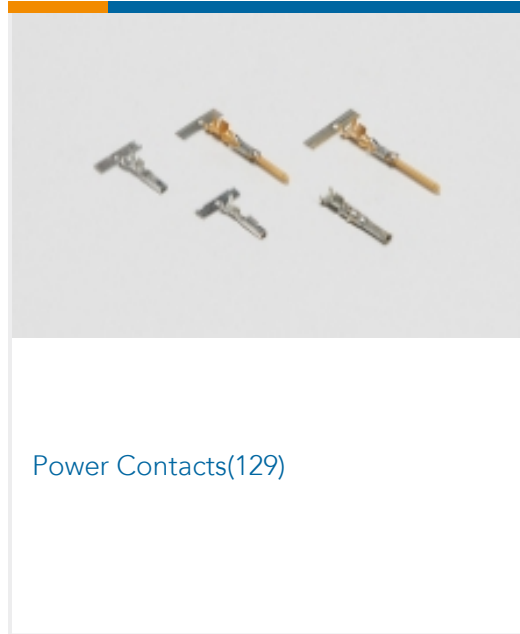
Connector Seals & Cavity Plugs(1)



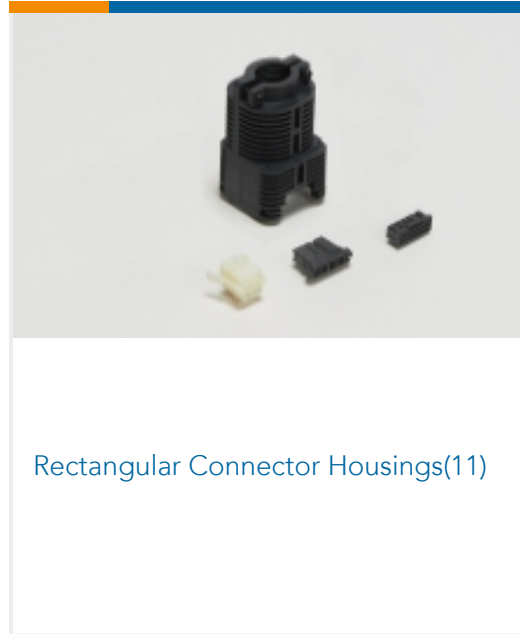
Crimp Wire Pins, Tabs & Ferrules(2)



Insertion & Extraction Tools(3)



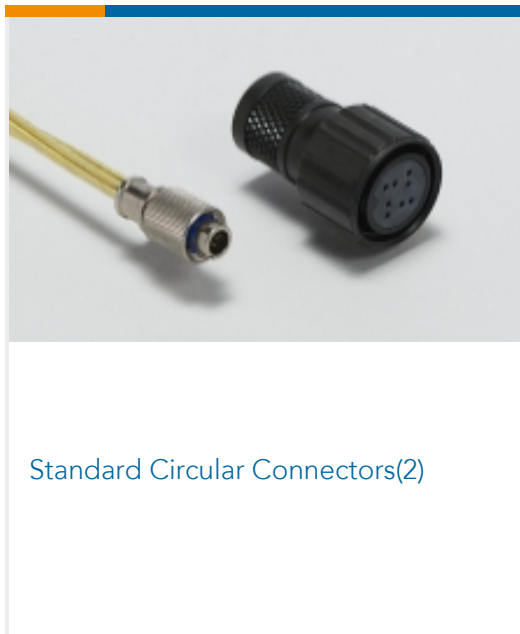
Power Contacts(129)



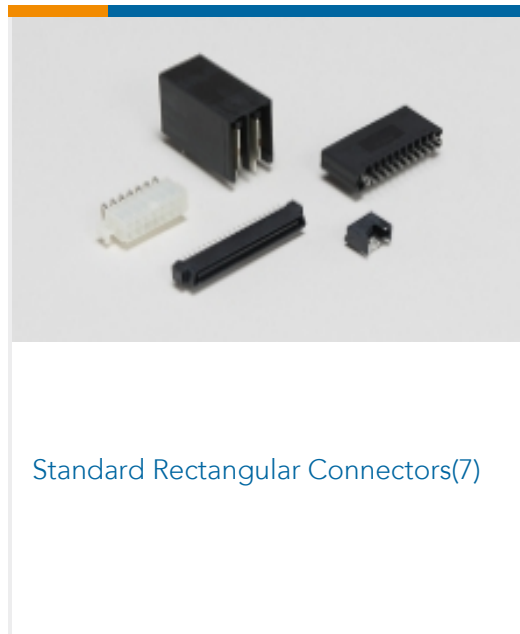
Rectangular Connector Housings(11)



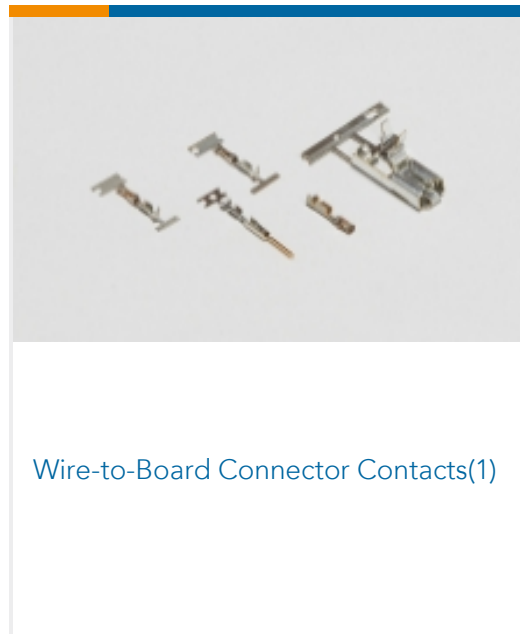
Rectangular Power Connectors(169)



Standard Circular Connectors(2)



Standard Rectangular Connectors(7)



Wire-to-Board Connector Contacts(1)

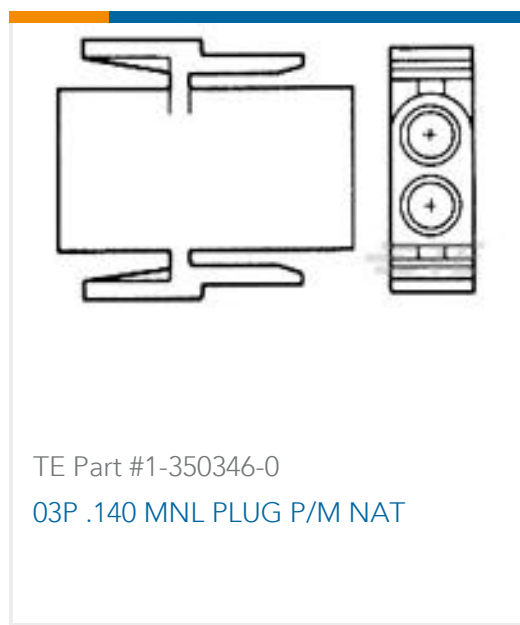
Customers Also Bought



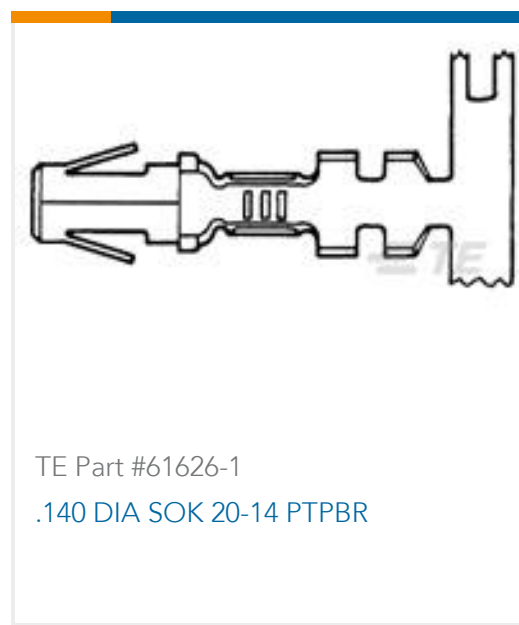
TE Part #66360-4
SOCKET ASSEMBLY, LOOSE PIECE,
TYPE III+



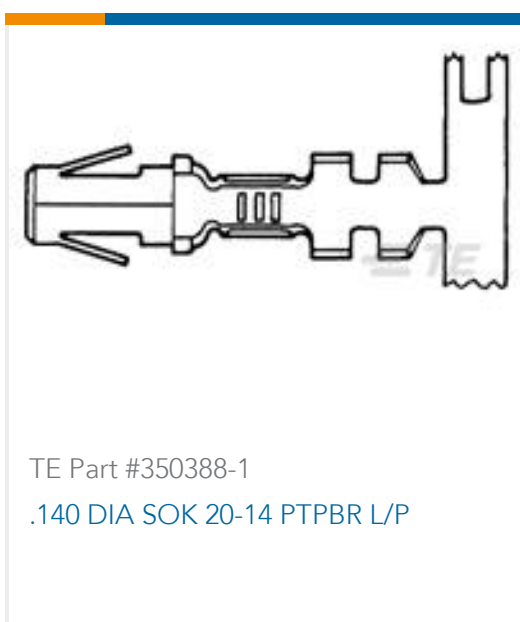
TE Part #2-1879074-2
THS15 47R 5%



TE Part #1-350346-0
03P .140 MNL PLUG P/M NAT



TE Part #61626-1
.140 DIA SOK 20-14 PTPBR



TE Part #350388-1
.140 DIA SOK 20-14 PTPBR L/P



TE Part #3-1393247-1
W31-X2M1G-1=W23/W31



TE Part #7-1393254-0
W92-X112-15=M6/M7/M9/W6/W7



TE Part #539764-1
EXTRACTION TOOL



Documents

Instruction Sheets

Instruction Sheet (U.S.)

English

Extraction Tool 318845-1

English

Instruction Sheet (U.S.)

English