

316836-1 ✓ ACTIVE

AMP | Multilock Connector System

TE Internal #: 316836-1

Automotive Terminals, Receptacle, Mating Tab Width 1 mm [.039 in], Tab Thickness .64 mm [.025 in], 22 – 18 AWG Wire Size, Multilock Connector System

[View on TE.com >](#)



Terminals & Splices > Automotive Terminals > MULTILOCK, RECEPTACLE AND TAB



Terminal Type: **Receptacle**

Mating Tab Width: **1 mm [.039 in]**

Mating Tab Thickness: **.64 mm [.025 in]**

Terminal Transmits: **0 – 24 A (Low Power)**

Wire Size: **22 – 18 AWG**

[All MULTILOCK, RECEPTACLE AND TAB \(136\)](#)

## Features

### Product Type Features

Receptacle Style	180°
Sealable	No
Primary Locking Feature	Clean Body

### Contact Features

Contact Size	1mm
Contact Fabrication	Stamped & Formed
Wire Contact Termination Area Plating Material	Tin
Crimp Type	F-Crimp
Terminal Type	Receptacle
Mating Tab Width	1 mm [.039 in]
Mating Tab Thickness	.64 mm [.025 in]
Interface Plating	Tin (Sn)

### Termination Features

Termination Method to Wire & Cable	Crimp
Product Terminates To	Wire

### Dimensions



Compatible Insulation Diameter Range	1.1 – 2.1 mm [.043 – .083 in]
Wire Size	.3 – .85 mm <sup>2</sup>
Wire Size Search	18 AWG, 19 AWG, 20 AWG, 21 AWG, 22 AWG

### Usage Conditions

Insulation Option	Uninsulated
Operating Temperature (Max)	80 °C, 85 °C, 90 °C, 100 °C, 105 °C [176 °F] [185 °F] [194 °F] [212 °F] [221 °F]
Operating Temperature Range	-30 – 105 °C [-22 – 221 °F]

### Packaging Features

Packaging Quantity	6000
Packaging Method	Reel

### Other

Terminal Transmits	0 – 24 A (Low Power)
--------------------	----------------------

## Product Compliance

[For compliance documentation, visit the product page on TE.com>](#)

EU RoHS Directive 2011/65/EU	Compliant
EU ELV Directive 2000/53/EC	Compliant
China RoHS 2 Directive MIIT Order No 32, 2016	No Restricted Materials Above Threshold
EU REACH Regulation (EC) No. 1907/2006	Current ECHA Candidate List: JUNE 2023 (235) Candidate List Declared Against: JUNE 2023 (235) Does not contain REACH SVHC
Halogen Content	Low Halogen - Br, Cl, F, I < 900 ppm per homogenous material. Also BFR/CFR/PVC Free
Solder Process Capability	Not applicable for solder process capability

#### Product Compliance Disclaimer

This information is provided based on reasonable inquiry of our suppliers and represents our current actual knowledge based on the information they provided. This information is subject to change. The part numbers that TE has identified as EU RoHS compliant have a maximum concentration of 0.1% by weight in homogenous materials for lead, hexavalent chromium, mercury, PBB, PBDE, DBP, BBP, DEHP, DIBP, and 0.01% for cadmium, or qualify for an exemption to these limits as defined in the Annexes of Directive 2011/65/EU (RoHS2). Finished electrical and electronic equipment products will be CE marked as required by Directive 2011/65/EU. Components may not be CE marked. Additionally, the part numbers that TE has identified as EU ELV compliant have a maximum concentration of 0.1% by weight in homogenous materials for lead, hexavalent chromium, and mercury, and 0.01% for cadmium, or qualify for an exemption to these limits as defined in the Annexes of Directive 2000/53/EC (ELV). Regarding the REACH Regulation, the information TE provides on SVHC in articles for this part number is based on the latest European Chemicals Agency (ECHA) 'Guidance on

requirements for substances in articles' posted at this URL: <https://echa.europa.eu/guidance-documents/guidance-on-reach>

## Compatible Parts



TE Part # CAT-M9194-CH8172  
MULTILOCK, CONNECTOR HOUSING



TE Part # CAT-T319-CH8172  
TH/.025 CONNECTOR SYSTEM, HOUSING



TE Part # 2305570-1  
Strip Terminal Cutter-Side Feed-No Crimp



TE Part # 2063850-1  
CCII 040III UNSEALED CONT 22-18 ASSY



TE Part # 2151143-1  
OCEAN\_2.0\_APPLICATOR-S-070F070F



TE Part # 2151143-2  
OCEAN\_2.0\_APPLICATOR-S-070F070F



TE Part # 7-2151143-1  
OCEAN\_2.0\_APPLICATOR-S-070F070F



TE Part # 7-2151143-2  
OCEAN\_2.0\_APPLICATOR-S-070F070F



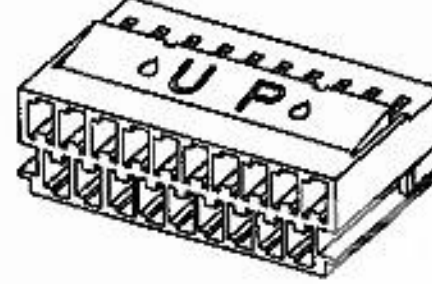
**KIT**  
TE Part # 7-2151143-7  
OCEAN\_2.0\_SPARE\_PART\_KIT-070F070F



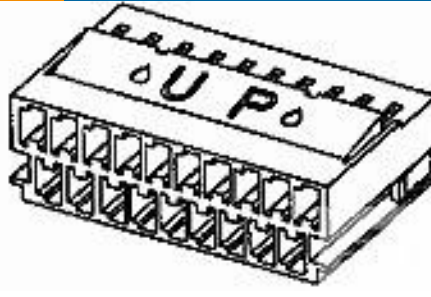
TE Part # 2-2151143-2  
OCEAN\_2.0\_APPLICATOR-S-070F070F



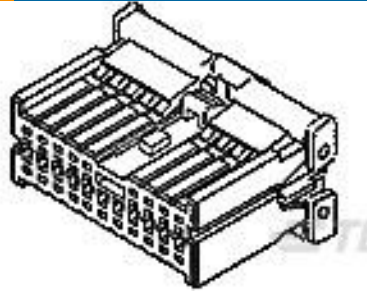
TE Part # 353664-4  
LIF CONN. SUB PLUG 7P GREEN



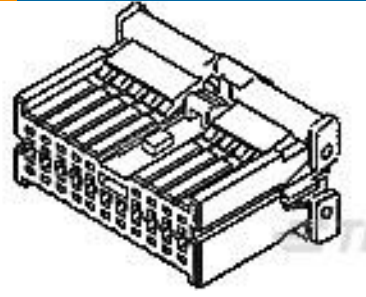
TE Part # 353675-7  
LIF CONN. SUB PLUG 19P YELLOW



TE Part # 353675-8  
LIF CONN. SUB PLUG 19P ORANGE



TE Part # 936475-7  
040 III PLUG ASSY 24P GRN



TE Part # 936475-8  
040 III PLUG ASSY 24P BLU

## Also in the Series | Multilock Connector System



Automotive Connector Caps & Covers (17)



Automotive Connector EMC Shielding (1)



Automotive Connector Locks & Position Assurance(2)



Automotive Housings(603)



Automotive Terminals(141)



Connector Seals & Cavity Plugs(2)



Insertion & Extraction Tools(6)



Other Automotive Connector Accessories(14)



PCB Headers & Receptacles(142)

## Customers Also Bought



TE Part #1746872-1  
TH/.025 CONNECTOR SYSTEM,  
HOUSING



TE Part #1376109-1  
025 TAB CONT



TE Part #1-2282364-1  
AMP MCP 2.8, CONTACT SWS  
LANCELESS



TE Part #1612122-1  
SQUIB LOCKING BUTTON



TE Part #1674311-7  
0.64 III RCPT 3 Serrations Pre-Tin



TE Part #2174114-1  
WIRE COVER ASSEMBLY 50POS 0.5/1.  
0 SEALED

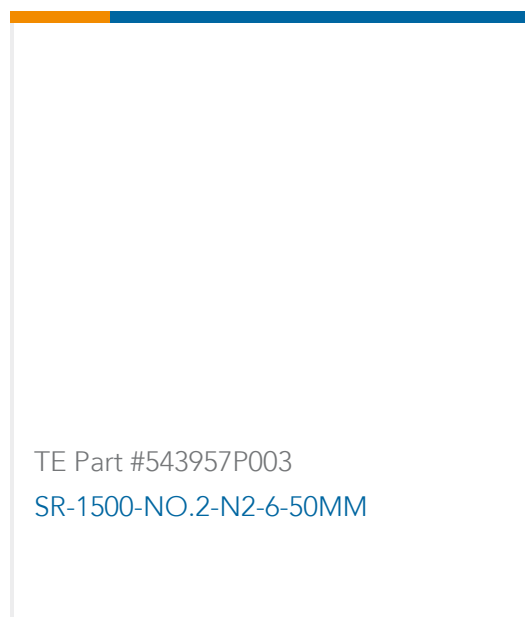


TE Part #2-2288258-0  
48POS MIXED MQS REC SEALED



TE Part #2301724-6  
16POS,060 SERIES,REC HSG,UNSLD





## Documents

### Product Drawings

[040-3 REC CONT. S](#)

English

### CAD Files

[3D PDF](#)

3D

Customer View Model

[ENG\\_CVM\\_CVM\\_316836-1\\_M.2d\\_dxf.zip](#)

English

Customer View Model

[ENG\\_CVM\\_CVM\\_316836-1\\_M.3d\\_igs.zip](#)

English

Customer View Model

[ENG\\_CVM\\_CVM\\_316836-1\\_M.3d\\_stp.zip](#)

English

By downloading the CAD file I accept and agree to the [Terms and Conditions](#) of use.

### Datasheets & Catalog Pages

[MULTILOCK Connector System](#)

English

### Product Specifications

[Application Specification](#)

Japanese

[Crimping .040III Unsealed Contact, Receptacle](#)

Japanese

[Crimping of 025 Receptacle Contact](#)

Japanese

[Application Specification](#)

Japanese

[Application Specification](#)

Japanese

[Crimping .040III Unsealed Contact, Receptacle](#)

Japanese



**Instruction Sheets**

**Instruction Sheet (non U.S.)**

English

**.040 III HIGH DENSITY CONNECTOR**

English

**Instruction Sheet (non U.S.)**

English

**Instruction Sheet (non U.S.)**

English

**.040 III HIGH DENSITY CONNECTOR**

English

**025/040 IMMOBILIZER CONNECTOR**

Japanese

**Instruction Sheet (non U.S.)**

English

**025/040 IMMOBILIZER CONNECTOR**

Japanese

**Instruction Sheet (non U.S.)**

English

**Instruction Sheet (non U.S.)**

Japanese

**025/040 I/O Connector**

Japanese

**Instruction Sheet (non U.S.)**

Japanese

**025/040 I/O Connector**

Japanese

**Instruction Sheet (non U.S.)**

Japanese