



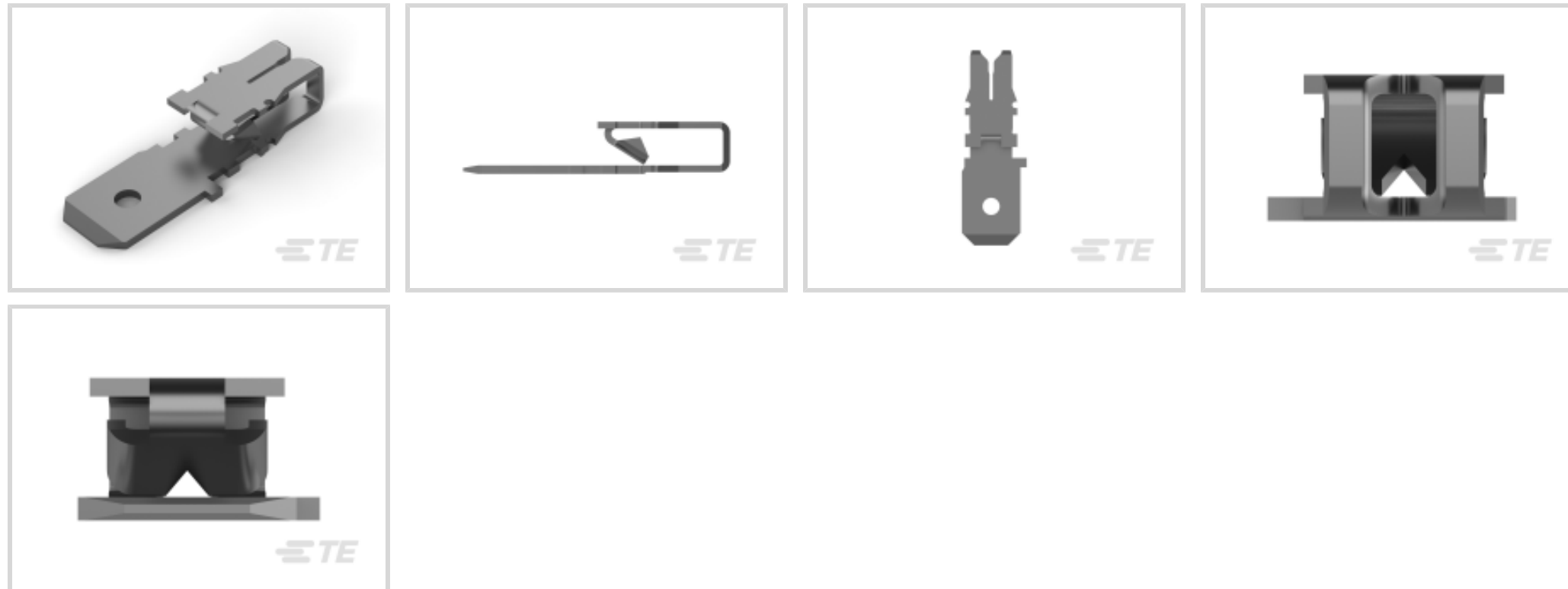
MAG-MATE

TE Internal #: 316300-4

Magnet Wire Terminals, Poke-In, Mating Tab Width .187 in [4.75 mm], Size 1, Lead Wire Size 20 – 18 AWG, Lead Wire Size .5 – .8 mm², MAG-MATE

[View on TE.com >](#)

Terminals & Splices > Magnet Wire Terminals



Magnet Wire Terminal Type: **Poke-In**

Mating Tab Width: **4.75 mm [.187 in]**

Mating Tab Thickness: **.5 mm [.02 in]**

Compatible With Cavity Size: **Size 1**

Lead Wire Size: **20 – 18 AWG**

Features

Product Type Features

Compatible With Discrete Wire Type	Magnet Wire, Solid
------------------------------------	--------------------

Configuration Features

Strip Orientation	Side Feed
-------------------	-----------

Body Features

Compatible With Cavity Size	Size 1
-----------------------------	--------

Contact Features

Magnet Wire Terminal Type	Poke-In
Mating Tab Width	4.75 mm[.187 in]
Mating Tab Thickness	.5 mm[.02 in]
Terminal Plating Material	Tin
Contact Underplating Material	Nickel
Terminal Orientation	Straight

Termination Features

--	--



Termination Method to Wire & Cable	Insulation Displacement (IDC)
------------------------------------	-------------------------------

Mechanical Attachment

Mating Retention Type	Hole
-----------------------	------

Dimensions

Terminal Height	7.62 mm[.3 in]
-----------------	----------------

Lead Wire Size	.5 – .8 mm ²
----------------	-------------------------

Magnet Wire Size	.35 – .63 mm
------------------	--------------

Stock Thickness (Magnet Wire Side)	.41 mm[.016 in]
------------------------------------	-----------------

Product Length	27.75 mm[1.029 in]
----------------	--------------------

Usage Conditions

Insulation Option	Uninsulated
-------------------	-------------

Operating Temperature Range	-20 – 105 °C[-4 – 221 °F]
-----------------------------	---------------------------

Operation/Application

Compatible With Wire Base Material	Copper
------------------------------------	--------

Identification Marking

Identification Number	10
-----------------------	----

Packaging Features

Packaging Quantity	8000
--------------------	------

Packaging Method	Reel, Reel/Carton
------------------	-------------------

Product Compliance

[For compliance documentation, visit the product page on TE.com>](#)

EU RoHS Directive 2011/65/EU	Compliant
------------------------------	-----------

EU ELV Directive 2000/53/EC	Compliant
-----------------------------	-----------

China RoHS 2 Directive MIIT Order No 32, 2016	No Restricted Materials Above Threshold
---	---

EU REACH Regulation (EC) No. 1907/2006	Current ECHA Candidate List: JUNE 2023 (235) Candidate List Declared Against: JUNE 2023 (235) Does not contain REACH SVHC
--	---

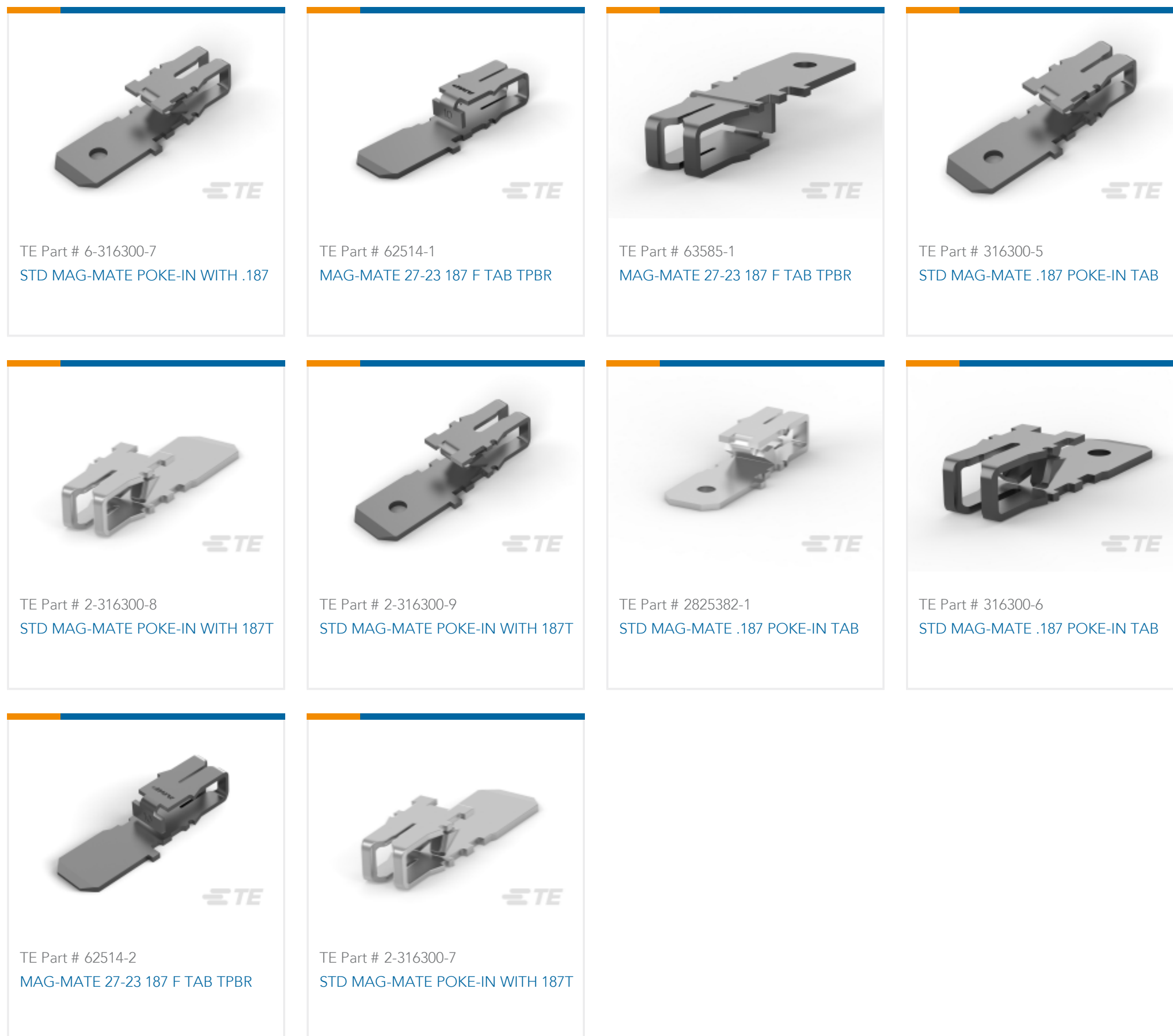
Halogen Content	Low Halogen - Br, Cl, F, I < 900 ppm per homogenous material. Also BFR/CFR/PVC Free
-----------------	---

Solder Process Capability	Not applicable for solder process capability
---------------------------	--

Product Compliance Disclaimer

This information is provided based on reasonable inquiry of our suppliers and represents our current actual knowledge based on the information they provided. This information is subject to change. The part numbers that TE has identified as EU RoHS compliant have a maximum concentration of 0.1% by weight in homogenous materials for lead, hexavalent chromium, mercury, PBB, PBDE, DBP, BBP, DEHP, DIBP, and 0.01% for cadmium, or qualify for an exemption to these limits as defined in the Annexes of Directive 2011/65/EU (RoHS2). Finished electrical and electronic equipment products will be CE marked as required by Directive 2011/65/EU. Components may not be CE marked. Additionally, the part numbers that TE has identified as EU ELV compliant have a maximum concentration of 0.1% by weight in homogenous materials for lead, hexavalent chromium, and mercury, and 0.01% for cadmium, or qualify for an exemption to these limits as defined in the Annexes of Directive 2000/53/EC (ELV). Regarding the REACH Regulation, the information TE provides on SVHC in articles for this part number is based on the latest European Chemicals Agency (ECHA) 'Guidance on requirements for substances in articles' posted at this URL: <https://echa.europa.eu/guidance-documents/guidance-on-reach>

Compatible Parts

Also in the Series | **MAG-MATE**



Insertion & Extraction Tools(6)

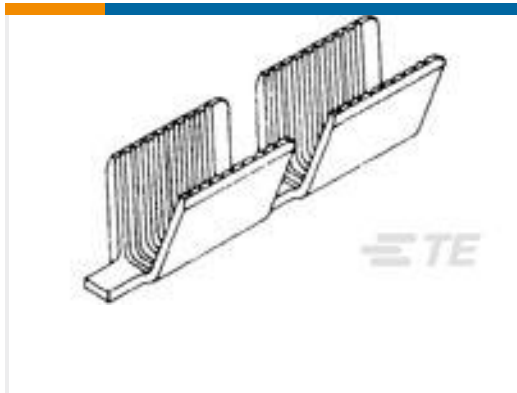


Magnet Wire Terminals(435)



PCB Terminals(1)

Customers Also Bought



TE Part #62304-2
AMVAR SPLC 600-3000 020TPBR



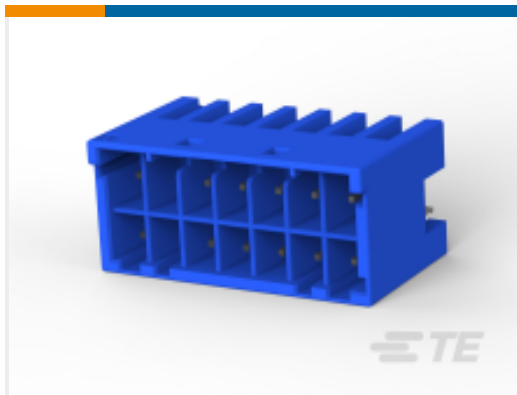
TE Part #1-1971906-4
HEADER ASSY 8POS,KEYING-A,NEW GIC3.3



TE Part #2-1971906-7
HEADER ASSY 14POS,KEYING-B,NEW GIC3.3



TE Part #5-1971906-7
HEADER ASSY 14POS,KEYING-A,NEW GIC3.3



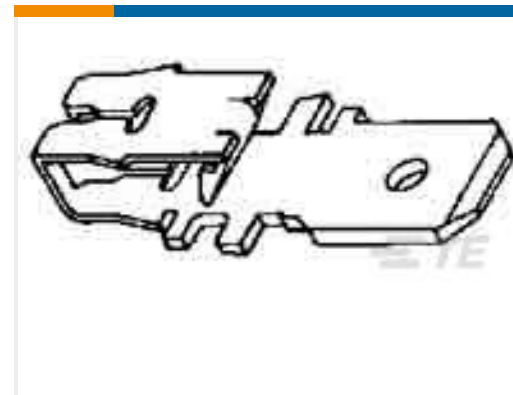
TE Part #6-1971906-7
HEADER ASSY 14POS,KEYING-B,NEW GIC3.3



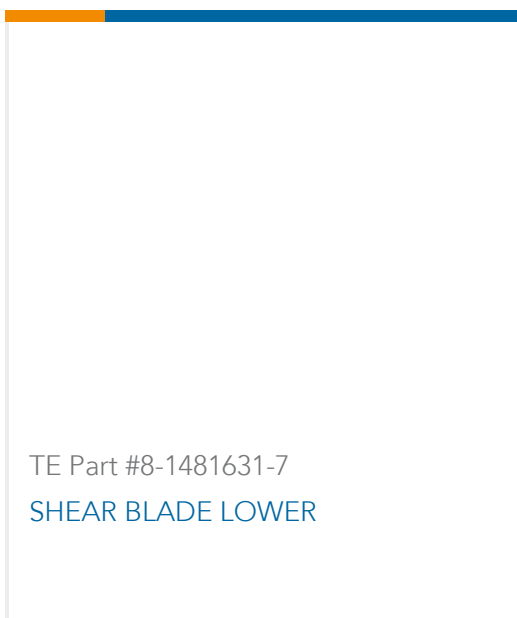
TE Part #63667-3
MAG-MATE 187 FAST TAB 020TPBR



TE Part #5-1971906-3
HEADER ASSY 6POS,KEYING-A,NEW GIC3.3



TE Part #63668-2
TAB,187 FASTON, MAG-MATE



TE Part #8-1481631-7
SHEAR BLADE LOWER

Documents

Product Drawings

[STD MAG-MATE .187 POKE-IN TAB](#)

English

CAD Files

[3D PDF](#)

[3D](#)

Customer View Model

[ENG_CVM_CVM_316300-4_N_c-316300-4-n.2d_dxf.zip](#)



English

Customer View Model

[ENG_CVM_CVM_316300-4_N_c-316300-4-n.3d_igs.zip](#)

English

Customer View Model

[ENG_CVM_CVM_316300-4_N_c-316300-4-n.3d_stp.zip](#)

English

By downloading the CAD file I accept and agree to the [Terms and Conditions](#) of use.

Datasheets & Catalog Pages

Magnet Wire Terminals & Splices

English

Product Specifications

Application Specification

English

STD MAG-MATE Poke-in with 187 Tab Terminal

English

Product Environmental Compliance

MD_316300-4_07212016253_dmtec

English

MD_316300-4_07212016253_dmtec

English

Instruction Sheets

MANUAL PRESS FOR MAG-MATE(911979-9)

Japanese

Instruction Sheet (non U.S.)

Japanese

Agency Approvals

UL Report

English