

# 316294-1 ✓ ACTIVE

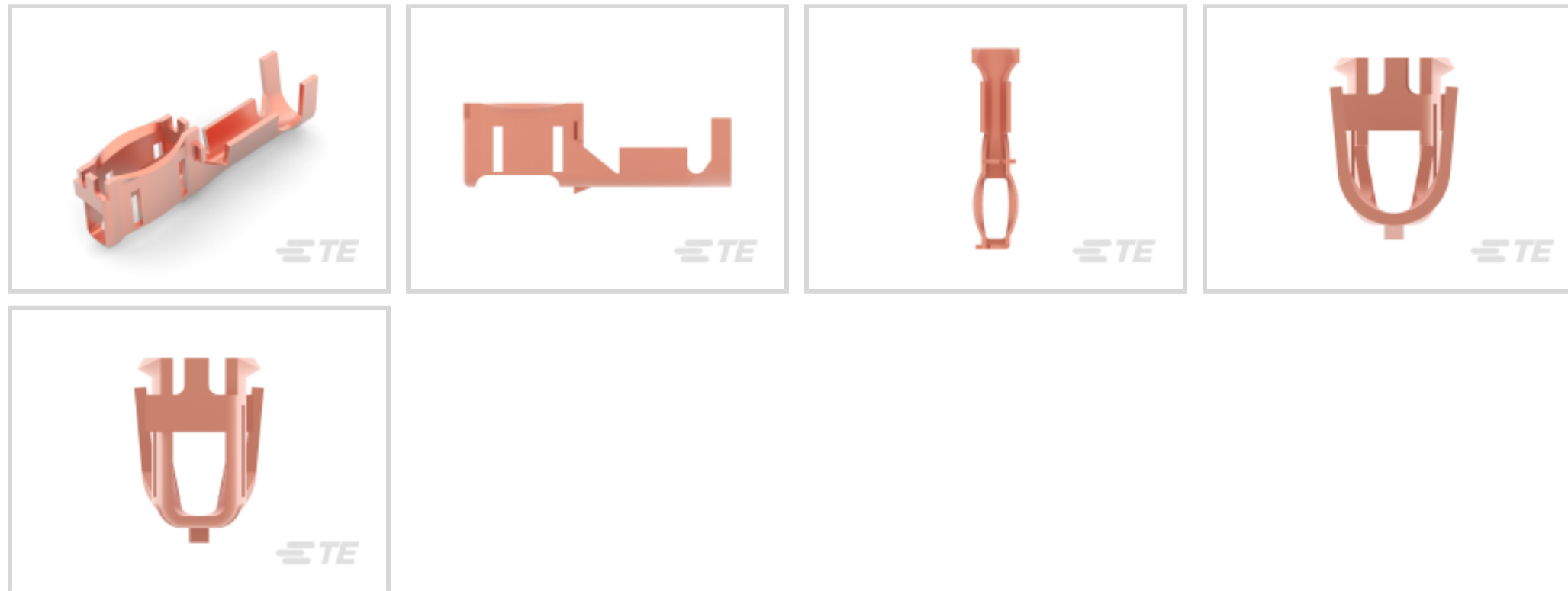
TE Internal #: 316294-1

Magnet Wire Terminals, Receptacle, Lead Wire Size 22 – 15 AWG,  
Lead Wire Size .326 – 1.65 mm<sup>2</sup>, Crimp, Crimp Area Length 7.35  
mm [.29 in], Tin Plating

[View on TE.com >](#)



Terminals & Splices > Magnet Wire Terminals



Magnet Wire Terminal Type: **Receptacle**

Mating Pin Diameter: **3.2 mm [.125 in]**

Compatible Insulation Diameter (Max): **3.5 mm [.138 in]**

Compatible Insulation Diameter Range: **1.3 – 3.5 mm [.051 – .138 in]**

Lead Wire Size: **22 – 15 AWG**

## Features

### Product Type Features

Wire Insulation Support Retention Type	Insulation Support
Compatible With Discrete Wire Type	Magnet Wire, Solid

### Contact Features

Magnet Wire Terminal Type	Receptacle
Mating Pin Diameter	3.2 mm [.125 in]
Terminal Plating Material	Tin
Terminal Orientation	Straight

### Termination Features

Termination Method to Wire & Cable	Crimp
Crimp Area Length	7.35 mm [.29 in]

### Mechanical Attachment

Wire Insulation Support	With
-------------------------	------

### Dimensions

Terminal Height	7 mm [.276 in]
-----------------	----------------



Compatible Insulation Diameter (Max)	3.5 mm[.138 in]
Compatible Insulation Diameter Range	1.3 – 3.5 mm[.051 – .138 in]
Lead Wire Size	.326 – 1.65 mm <sup>2</sup>
Stock Thickness (Magnet Wire Side)	.5 mm[.019 in]
Product Length	22.35 mm[.88 in]

### Usage Conditions

Insulation Option	Uninsulated
Operating Temperature Range	-20 – 150 °C[-4 – 302 °F]

### Operation/Application

Compatible With Wire Base Material	Aluminum, Copper
------------------------------------	------------------

### Packaging Features

Packaging Quantity	4000
Packaging Method	Reel

## Product Compliance

[For compliance documentation, visit the product page on TE.com>](#)

EU RoHS Directive 2011/65/EU	Compliant
EU ELV Directive 2000/53/EC	Compliant
China RoHS 2 Directive MIIT Order No 32, 2016	No Restricted Materials Above Threshold
EU REACH Regulation (EC) No. 1907/2006	Current ECHA Candidate List: JUNE 2023 (235) Candidate List Declared Against: JUNE 2023 (235) Does not contain REACH SVHC
Halogen Content	Low Halogen - Br, Cl, F, I < 900 ppm per homogenous material. Also BFR/CFR/PVC Free
Solder Process Capability	Not applicable for solder process capability

#### Product Compliance Disclaimer

This information is provided based on reasonable inquiry of our suppliers and represents our current actual knowledge based on the information they provided. This information is subject to change. The part numbers that TE has identified as EU RoHS compliant have a maximum concentration of 0.1% by weight in homogenous materials for lead, hexavalent chromium, mercury, PBB, PBDE, DBP, BBP, DEHP, DIBP, and 0.01% for cadmium, or qualify for an exemption to these limits as defined in the Annexes of Directive 2011/65/EU (RoHS2). Finished electrical and electronic equipment products will be CE marked as required by Directive 2011/65/EU. Components may not be CE marked. Additionally, the part numbers that TE has identified as EU ELV compliant have a maximum concentration of 0.1% by weight in homogenous materials for lead, hexavalent chromium, and mercury, and 0.01% for cadmium, or qualify for an exemption to these limits as defined in the Annexes of Directive 2000/53/EC (ELV). Regarding the REACH Regulation, the information TE provides on SVHC in articles for this part number is based on the latest European Chemicals Agency (ECHA) 'Guidance on

requirements for substances in articles' posted at this URL: <https://echa.europa.eu/guidance-documents/guidance-on-reach>

## Compatible Parts



TE Part # 316293-1  
3.2 CLUSTER BLOCK HSG NATURAL



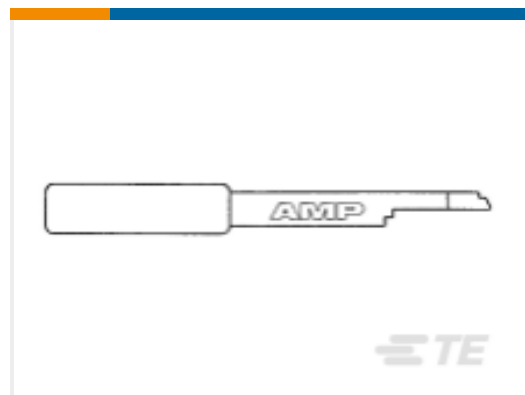
TE Part # 316293-2  
DURABLE TYPE PBT FROM HYDROLYS



TE Part # 2-2150696-2  
OCEAN\_2.0\_Applicator-E-100F180F



TE Part # 2150696-2  
OCEAN\_2.0\_Applicator-E-100F180F



TE Part # 409643-1  
EXT-TOOL FOR 3,2 CLUSTER REC



TE Part # 7-2150696-7  
OCEAN\_2.0\_SPARE\_PART\_KIT-100F180F

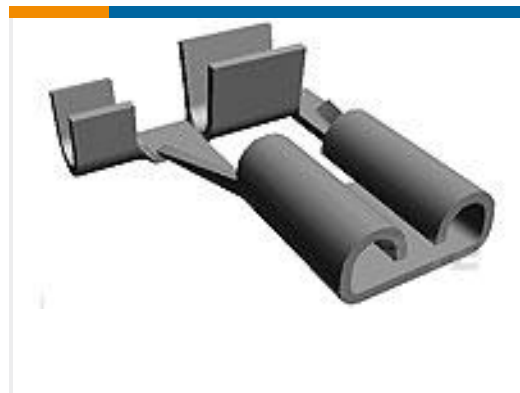
## Customers Also Bought



TE Part #2-1415898-5  
RTS3LF12



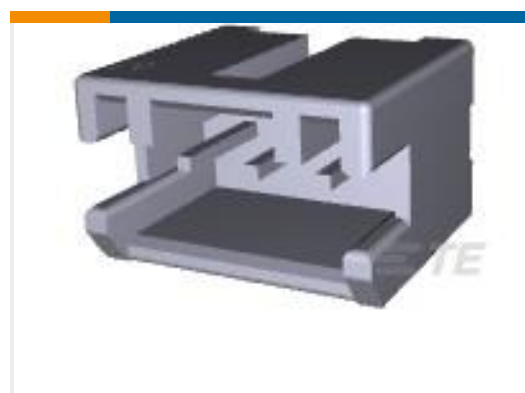
TE Part #1393212-8  
T92S7D12-12



TE Part #1742977-1  
250FAST FLG RCPT AMVAR TPBR CMA1500-4220



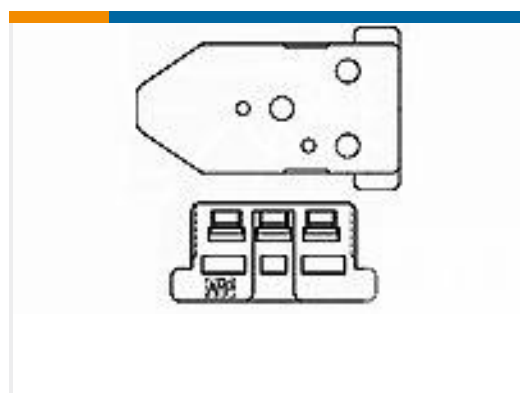
TE Part #1871843-3  
GIC 2.5 HDR ASSY TIN VERSION 3P



TE Part #1376478-3  
2.5MM SIGNAL MATE CONN HEADER



TE Part #6-1376492-2  
2.5 SMC HDR 2POS RED TAPE



TE Part #316293-1  
3.2 CLUSTER BLOCK HSG NATURAL



TE Part #1721214-5  
PCH-112L2M,002X

## Documents

**Product Drawings**  
**3.2 CLUSTER REC S-TYPE**

Japanese



**CAD Files**

**Customer View Model**

[ENG\\_CVM\\_CVM\\_316294-1\\_F.2d\\_dxf.zip](#)

English

**3D PDF**

3D

**Customer View Model**

[ENG\\_CVM\\_CVM\\_316294-1\\_F.3d\\_igs.zip](#)

English

**Customer View Model**

[ENG\\_CVM\\_CVM\\_316294-1\\_F.3d\\_stp.zip](#)

English

By downloading the CAD file I accept and agree to the [Terms and Conditions](#) of use.

**Datasheets & Catalog Pages**

[Magnet Wire Terminals & Splices](#)

English

**Product Specifications**

[3.2DIA Cluster Receptacle](#)

English

[Application Specification](#)

English

**Product Environmental Compliance**

[MD\\_316294-1\\_05072015339\\_dmtec](#)

English

[MD\\_316294-1\\_05072015339\\_dmtec](#)

English