

316293-1 ✓ ACTIVE

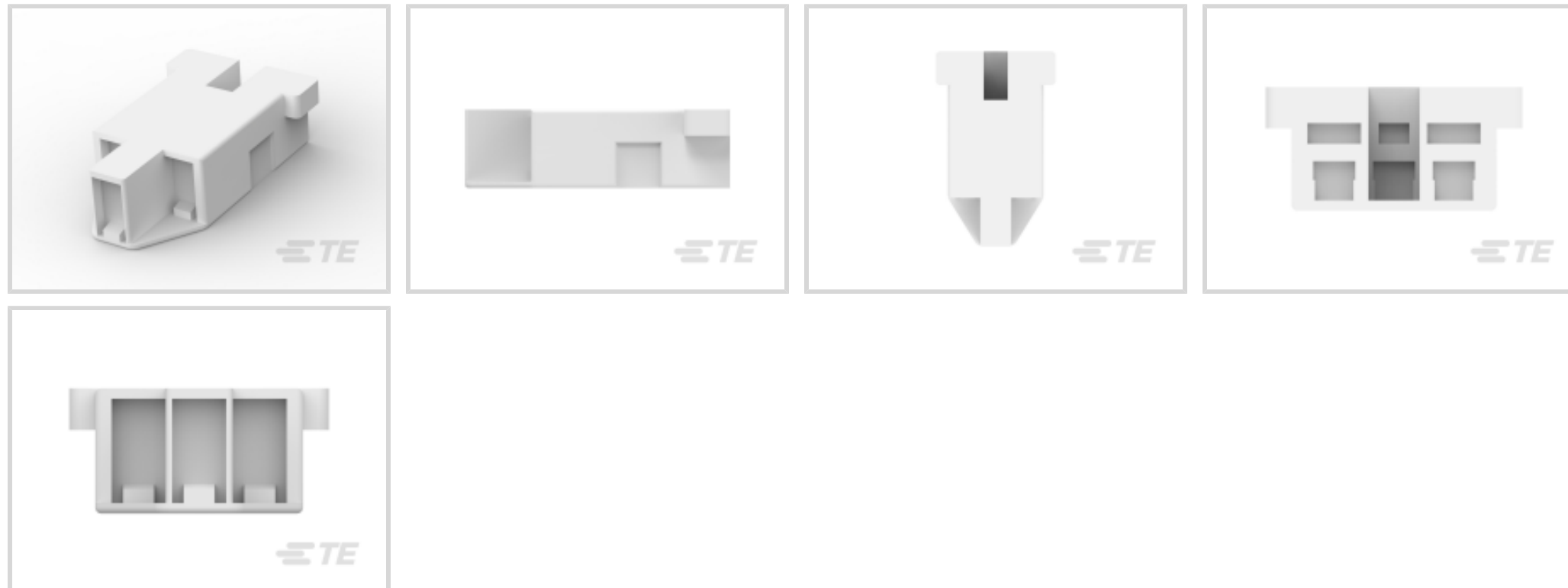
TE Internal #: 316293-1

Cluster Blocks, 3 Circuits, PBT GF, 22 – 15 AWG Wire Size, .32 – 1.65 mm<sup>2</sup> Wire Size, -4 – 302 °F [-20 – 150 °C]

[View on TE.com >](#)



Terminals & Splices > Terminal Housings, Insulation Sleeves & Blocks > Cluster Blocks



Number of Circuits: 3

Primary Product Material: PBT GF

Wire Size: .32 – 1.65 mm<sup>2</sup>

Operating Temperature Range: -20 – 150 °C [-4 – 302 °F]

## Features

### Product Type Features

Compatible With Discrete Wire Type

Lead Wire

### Configuration Features

Number of Circuits

3

### Body Features

Primary Product Color

Natural

Primary Product Material

PBT GF

### Contact Features

Mating Pin Diameter

3.18 mm[.125 in]

### Mechanical Attachment

Block Mounting Configuration

1 Forward - 2 Back

Mount Diameter

13.5 mm[.53 in]

### Dimensions

Product Length

40.6 mm[1.59 in]

Wire Size

.32 – 1.65 mm<sup>2</sup>

### Usage Conditions



Operating Temperature Range	-20 – 150 °C[-4 – 302 °F]
-----------------------------	---------------------------

### Industry Standards

UL Flammability Rating	UL 94HB
------------------------	---------

### Packaging Features

Packaging Quantity	200
Packaging Method	Bag

### Product Compliance

[For compliance documentation, visit the product page on TE.com>](#)

EU RoHS Directive 2011/65/EU	Compliant
EU ELV Directive 2000/53/EC	Compliant
China RoHS 2 Directive MIIT Order No 32, 2016	No Restricted Materials Above Threshold
EU REACH Regulation (EC) No. 1907/2006	Current ECHA Candidate List: JUNE 2023 (235) Candidate List Declared Against: JUNE 2023 (235) Does not contain REACH SVHC
Halogen Content	Low Halogen - Br, Cl, F, I < 900 ppm per homogenous material. Also BFR/CFR/PVC Free
Solder Process Capability	Not applicable for solder process capability

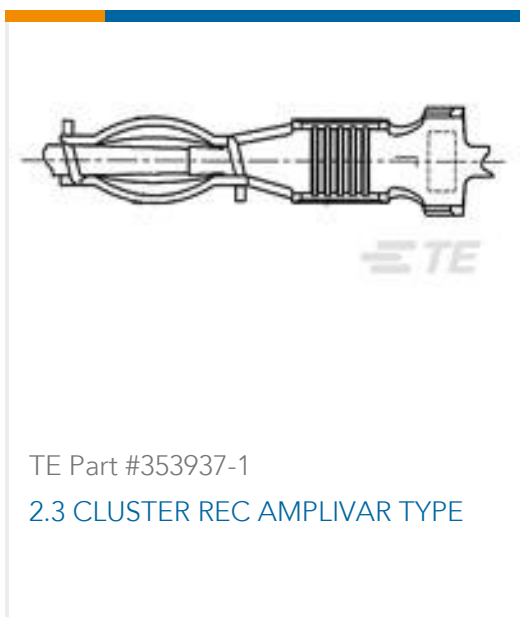
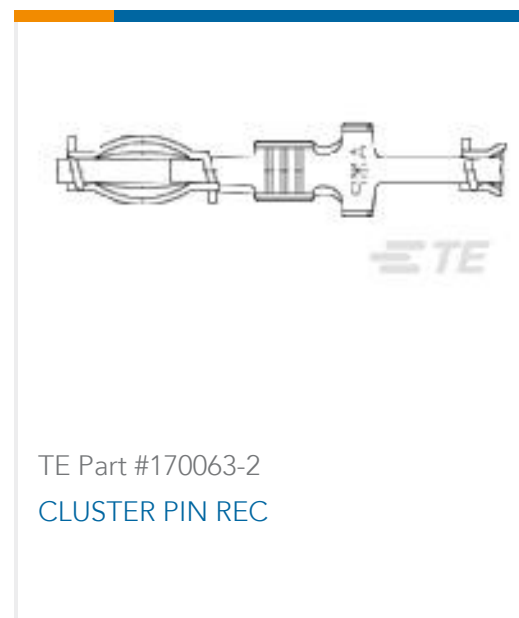
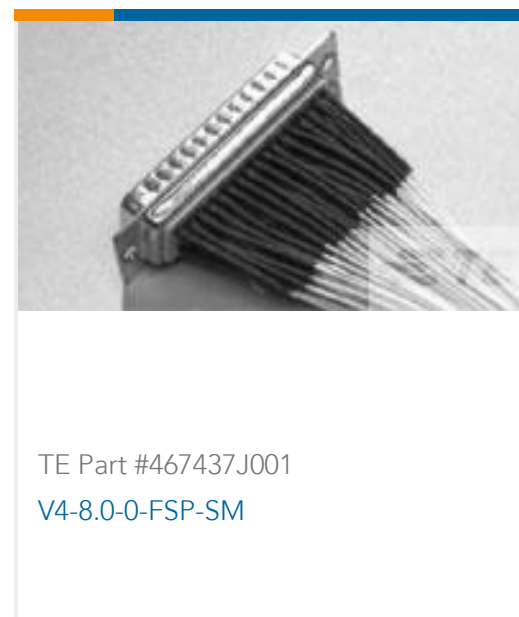
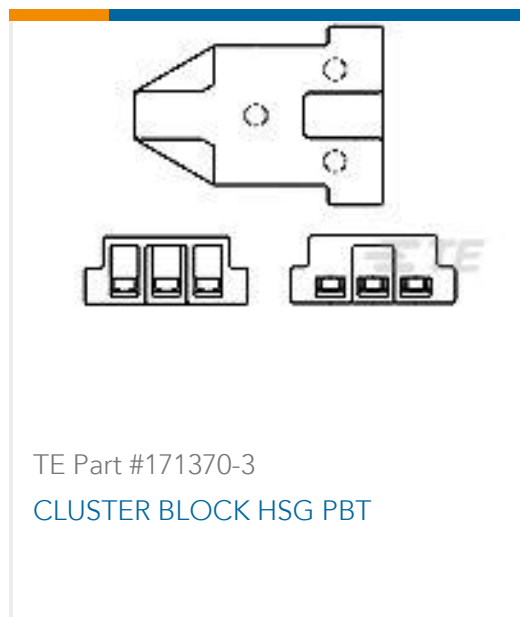
#### Product Compliance Disclaimer

This information is provided based on reasonable inquiry of our suppliers and represents our current actual knowledge based on the information they provided. This information is subject to change. The part numbers that TE has identified as EU RoHS compliant have a maximum concentration of 0.1% by weight in homogenous materials for lead, hexavalent chromium, mercury, PBB, PBDE, DBP, BBP, DEHP, DIBP, and 0.01% for cadmium, or qualify for an exemption to these limits as defined in the Annexes of Directive 2011/65/EU (RoHS2). Finished electrical and electronic equipment products will be CE marked as required by Directive 2011/65/EU. Components may not be CE marked. Additionally, the part numbers that TE has identified as EU ELV compliant have a maximum concentration of 0.1% by weight in homogenous materials for lead, hexavalent chromium, and mercury, and 0.01% for cadmium, or qualify for an exemption to these limits as defined in the Annexes of Directive 2000/53/EC (ELV). Regarding the REACH Regulation, the information TE provides on SVHC in articles for this part number is based on the latest European Chemicals Agency (ECHA) 'Guidance on requirements for substances in articles' posted at this URL: <https://echa.europa.eu/guidance-documents/guidance-on-reach>

### Compatible Parts



## Customers Also Bought



## Documents

### CAD Files

3D PDF

3D

### Customer View Model

[ENG\\_CVM\\_CVM\\_316293-1\\_F.2d\\_dxf.zip](#)

English

### Customer View Model

[ENG\\_CVM\\_CVM\\_316293-1\\_F.3d\\_igs.zip](#)

English



### Customer View Model

[ENG\\_CVM\\_CVM\\_316293-1\\_F.3d\\_stp.zip](#)

English

By downloading the CAD file I accept and agree to the [Terms and Conditions](#) of use.

### Datasheets & Catalog Pages

[Magnet Wire Terminals & Splices](#)

English

### Product Specifications

[3.2DIA Cluster Receptacle](#)

English

[Application Specification](#)

English

### Product Environmental Compliance

[Product Compliance Document](#)

English

[Product Compliance Document](#)

English