

316292-1 ✓ ACTIVE

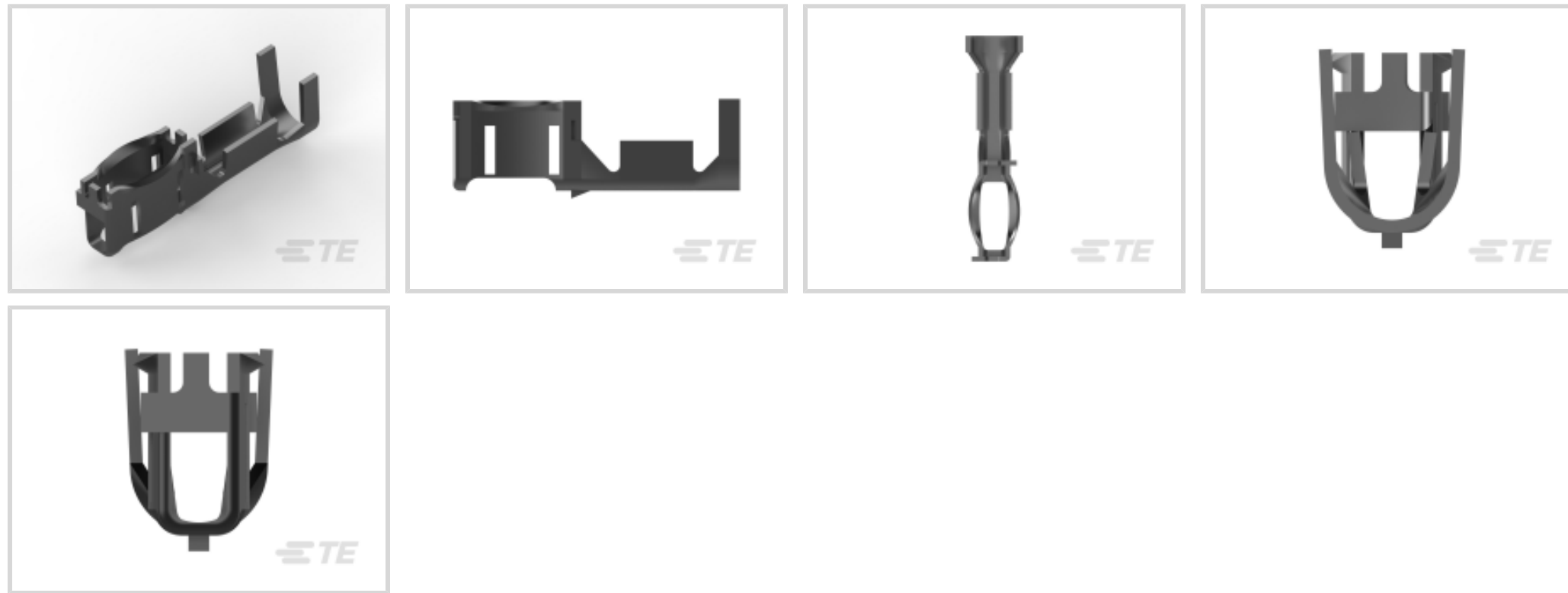
TE Internal #: 316292-1

Magnet Wire Terminals, Receptacle, .82 – 2.6 mm Magnet Wire, 18 – 13 AWG Magnet Wire, Crimp, Crimp Area Length 9.35 mm [.368 in], Tin Plating

[View on TE.com >](#)



Terminals & Splices > Magnet Wire Terminals



Magnet Wire Terminal Type: **Receptacle**

Mating Pin Diameter: **3.2 mm [.125 in]**

Compatible Insulation Diameter (Max): **4 mm [.157 in]**

Compatible Insulation Diameter Range: **1.6 – 4 mm [.062 – .157 in]**

Magnet Wire Size: **18 – 13 AWG**

Features

Product Type Features

Wire Insulation Support Retention Type

Insulation Support

Compatible With Discrete Wire Type

Magnet Wire, Solid

Contact Features

Magnet Wire Terminal Type

Receptacle

Mating Pin Diameter

3.2 mm [.125 in]

Terminal Plating Material

Tin

Terminal Orientation

Straight

Termination Features

Termination Method to Wire & Cable

Crimp

Crimp Area Length

9.35 mm [.368 in]

Mechanical Attachment

Wire Insulation Support

With

Dimensions

Terminal Height

7 mm [.276 in]



Compatible Insulation Diameter (Max)	4 mm[.157 in]
--------------------------------------	---------------

Compatible Insulation Diameter Range	1.6 – 4 mm[.062 – .157 in]
--------------------------------------	----------------------------

Magnet Wire Size	.82 – 2.6 mm
------------------	--------------

Product Length	22.39 mm[.881 in]
----------------	-------------------

Usage Conditions

Insulation Option	Uninsulated
-------------------	-------------

Operating Temperature Range	-20 – 150 °C[-4 – 302 °F]
-----------------------------	---------------------------

Operation/Application

Compatible With Wire Base Material	Copper
------------------------------------	--------

Packaging Features

Packaging Quantity	3000
--------------------	------

Packaging Method	Reel
------------------	------

Product Compliance

[For compliance documentation, visit the product page on TE.com>](#)

EU RoHS Directive 2011/65/EU	Compliant
------------------------------	-----------

EU ELV Directive 2000/53/EC	Compliant
-----------------------------	-----------

China RoHS 2 Directive MIIT Order No 32, 2016	No Restricted Materials Above Threshold
---	---

EU REACH Regulation (EC) No. 1907/2006	Current ECHA Candidate List: JUNE 2023 (235) Candidate List Declared Against: JUNE 2023 (235) Does not contain REACH SVHC
--	---

Halogen Content	Low Halogen - Br, Cl, F, I < 900 ppm per homogenous material. Also BFR/CFR/PVC Free
-----------------	---

Solder Process Capability	Not applicable for solder process capability
---------------------------	--

Product Compliance Disclaimer

This information is provided based on reasonable inquiry of our suppliers and represents our current actual knowledge based on the information they provided. This information is subject to change. The part numbers that TE has identified as EU RoHS compliant have a maximum concentration of 0.1% by weight in homogenous materials for lead, hexavalent chromium, mercury, PBB, PBDE, DBP, BBP, DEHP, DIBP, and 0.01% for cadmium, or qualify for an exemption to these limits as defined in the Annexes of Directive 2011/65/EU (RoHS2). Finished electrical and electronic equipment products will be CE marked as required by Directive 2011/65/EU. Components may not be CE marked. Additionally, the part numbers that TE has identified as EU ELV compliant have a maximum concentration of 0.1% by weight in homogenous materials for lead, hexavalent chromium, and mercury, and 0.01% for cadmium, or qualify for an exemption to these limits as defined in the Annexes of Directive 2000/53/EC (ELV). Regarding the REACH Regulation, the information TE provides on SVHC in articles for this part number is based on the latest European Chemicals Agency (ECHA) 'Guidance on requirements for substances in articles' posted at this URL: <https://echa.europa.eu/guidance-documents/guidance-on-reach>

Compatible Parts



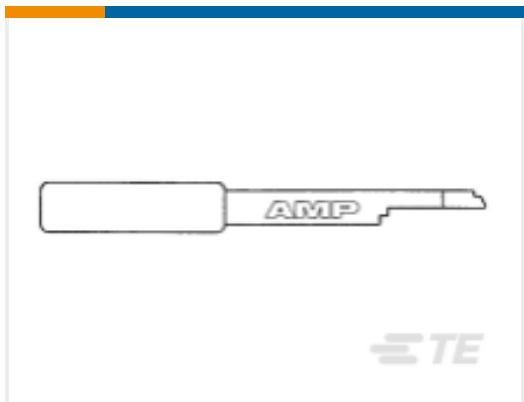
TE Part # 316293-1
3.2 CLUSTER BLOCK HSG NATURAL



TE Part # 316293-2
DURABLE TYPE PBT FROM
HYDROLYS



TE Part # 2150408-2
OCEAN_2.0_APPLICATOR-E-110F197F



TE Part # 409643-1
EXT-TOOL FOR 3,2 CLUSTER REC



TE Part # 7-2150408-2
OCEAN_2.0_APPLICATOR-E-110F197F

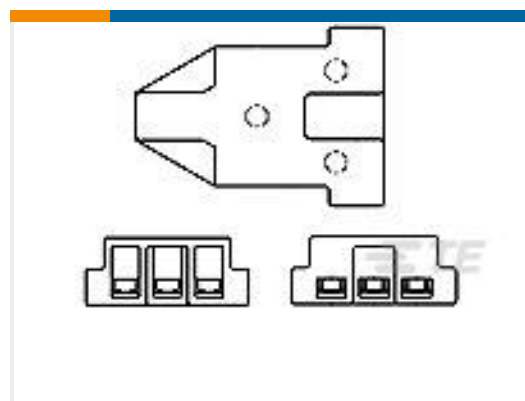


TE Part # 7-2150408-7
OCEAN_2.0_SPARE_PART_KIT-
110F197F



TE Part # 2-2150408-2
OCEAN_2.0_APPLICATOR-E-110F197F

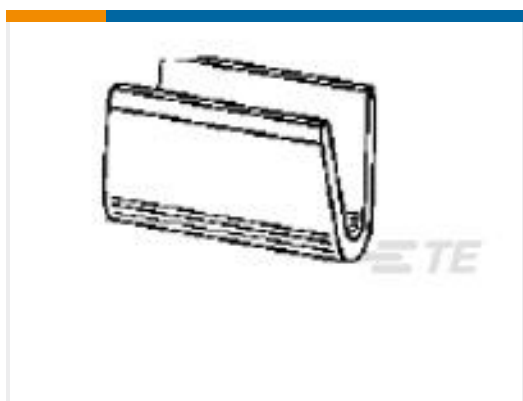
Customers Also Bought



TE Part #171370-3
CLUSTER BLOCK HSG PBT



TE Part #62935-1
MAG-MATE TERM 27-23 016 TPBR



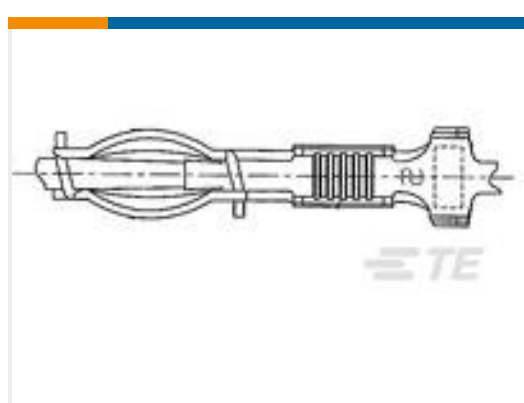
TE Part #926823-4
AM WIRE PIN 20-17 .013 PTPB



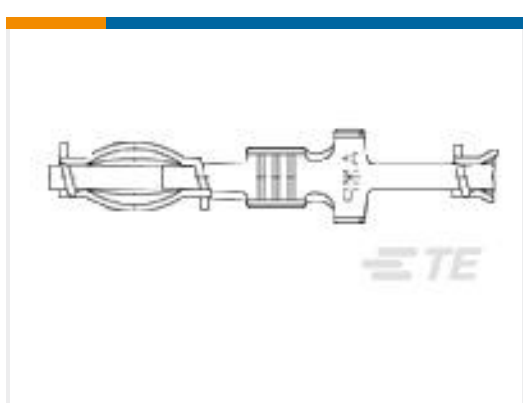
TE Part #3-2161500-1
AMP 5K/30 CE TERMINATOR



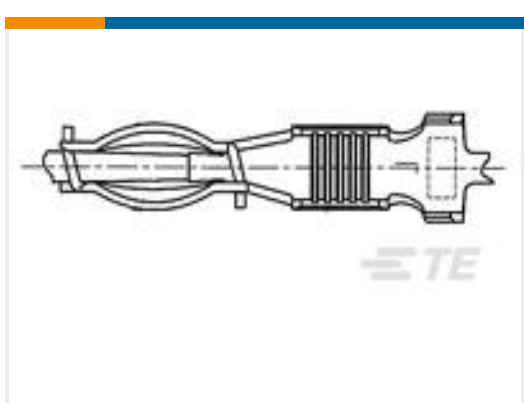
TE Part #690474-5
SHEAR BLADE



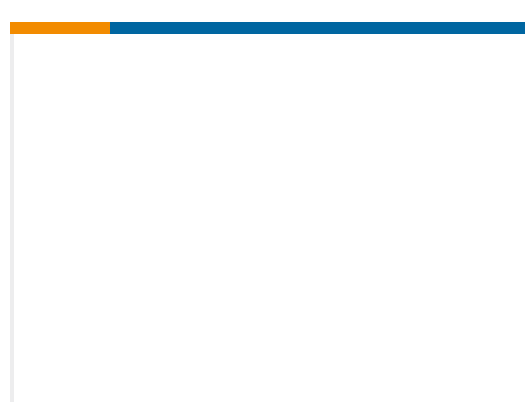
TE Part #1123655-1
2.3 DIA CLUSTER AMPLIVAR S TIN



TE Part #170063-2
CLUSTER PIN REC



TE Part #353937-1
2.3 CLUSTER REC AMPLIVAR TYPE



TE Part #1-715283-1
BLADE, TRIM DOUBLE(MAG-MATE IN)



TE Part #1366561-1
WIRE CRIMPER



Documents

Product Drawings

3.2 CLUSTER REC L-TYPE

English

CAD Files

3D PDF

3D

Customer View Model

[ENG_CVM_CVM_316292-1_E.2d_dxf.zip](#)

English

Customer View Model

[ENG_CVM_CVM_316292-1_E.3d_igs.zip](#)

English

Customer View Model

[ENG_CVM_CVM_316292-1_E.3d_stp.zip](#)

English

By downloading the CAD file I accept and agree to the [Terms and Conditions](#) of use.

Datasheets & Catalog Pages

Magnet Wire Terminals & Splices

English

Product Specifications

3.2DIA Cluster Receptacle

English

Application Specification

English

Product Environmental Compliance

[MD_316292-1_10142014919_dmtec](#)

English

[MD_316292-1_10142014919_dmtec](#)

English