

316063-1 ✓ ACTIVE

## Power Double Lock

TE Internal #: 316063-1

Rectangular Connector Locking, Double Lock Plate, 4 Position, UL 94V-0, -22 – 221 °F [-30 – 105 °C], Power Double Lock

[View on TE.com >](#)



Connectors > Rectangular Connectors > Rectangular Connector Accessories > Rectangular Connector Locking > Power Double Lock TPA



Connector & Contact Retention Accessory Type: **Double Lock Plate**

Number of Positions: **4**

UL Flammability Rating: **UL 94V-0**

Operating Temperature Range: **-30 – 105 °C [-22 – 221 °F]**

[All Power Double Lock TPA \(6\)](#)

## Features

### Product Type Features

|  |                   |
|--|-------------------|
| Connector & Contact Retention Accessory Type | Double Lock Plate |
|--|-------------------|

### Configuration Features

|                     |   |
|---------------------|---|
| Number of Positions | 4 |
|---------------------|---|

### Body Features

|                          |                       |
|--------------------------|-----------------------|
| Primary Product Material | Glass-Filled Nylon 66 |
|--------------------------|-----------------------|

|                       |         |
|-----------------------|---------|
| Primary Product Color | Natural |
|-----------------------|---------|

### Dimensions

|                |         |
|----------------|---------|
| Product Length | 27.9 mm |
|----------------|---------|

|                |        |
|----------------|--------|
| Product Height | 4.9 mm |
|----------------|--------|

### Usage Conditions

|                             |                            |
|-----------------------------|----------------------------|
| Operating Temperature Range | -30 – 105 °C[-22 – 221 °F] |
|-----------------------------|----------------------------|

### Industry Standards

|                  |                               |
|------------------|-------------------------------|
| Glow Wire Rating | Standard Part - Not Glow Wire |
|------------------|-------------------------------|



UL Flammability Rating

UL 94V-0

### Packaging Features

Packaging Quantity

200

Packaging Method

Bag/Box

### Other

Connector Accessory Comment

Quantity required based on connector being used.

### Product Compliance

For compliance documentation, visit the product page on [TE.com](https://www.te.com)>

EU RoHS Directive 2011/65/EU

Compliant

EU ELV Directive 2000/53/EC

Compliant

China RoHS 2 Directive MIIT Order No 32, 2016

No Restricted Materials Above Threshold

EU REACH Regulation (EC) No. 1907/2006

Current ECHA Candidate List: JUNE 2023 (235)  
Candidate List Declared Against: JUNE 2023 (235)  
Does not contain REACH SVHC

Halogen Content

Not Low Halogen - contains Br or Cl &gt; 900 ppm.

Solder Process Capability

Not applicable for solder process capability

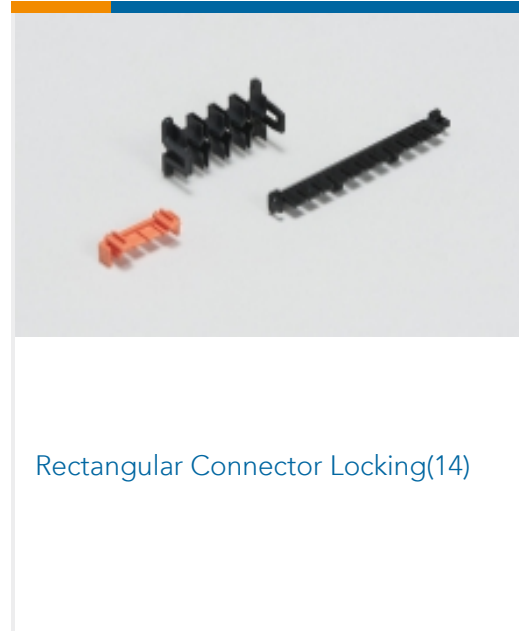
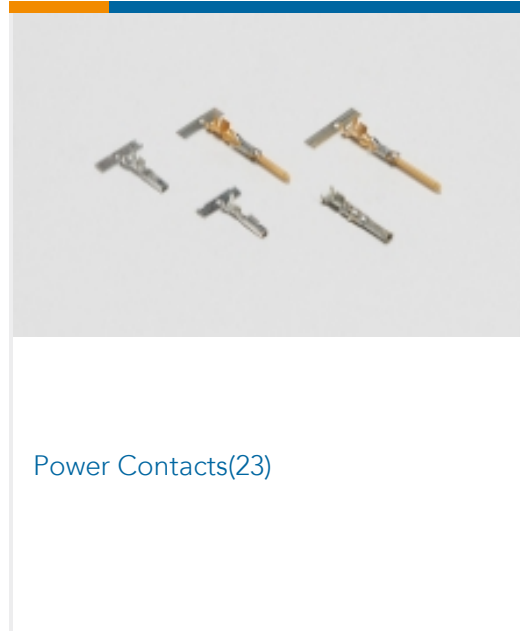
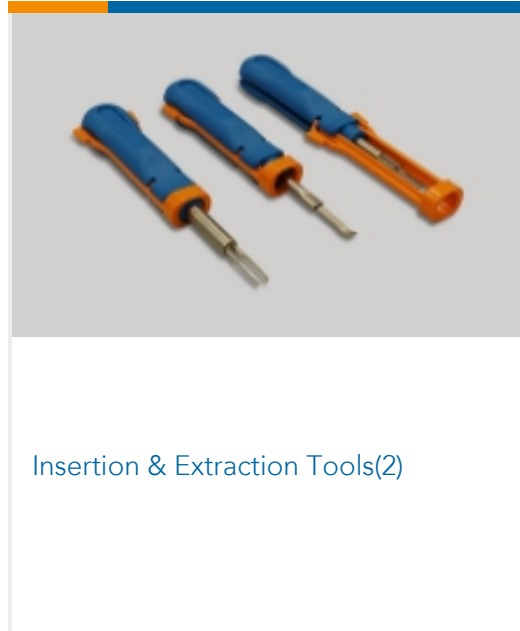
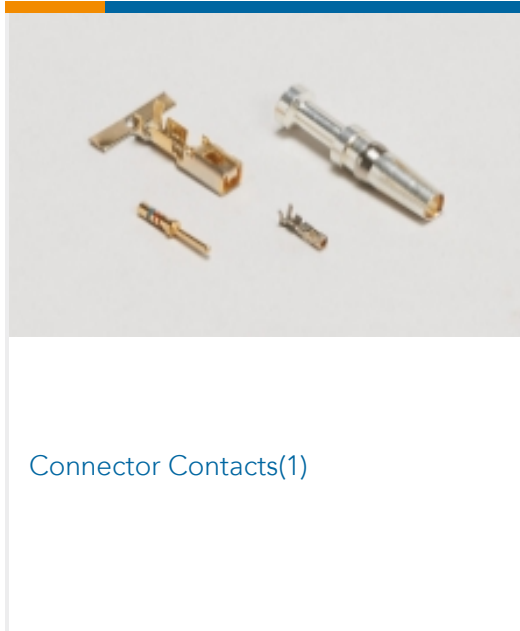
#### Product Compliance Disclaimer

This information is provided based on reasonable inquiry of our suppliers and represents our current actual knowledge based on the information they provided. This information is subject to change. The part numbers that TE has identified as EU RoHS compliant have a maximum concentration of 0.1% by weight in homogenous materials for lead, hexavalent chromium, mercury, PBB, PBDE, DBP, BBP, DEHP, DIBP, and 0.01% for cadmium, or qualify for an exemption to these limits as defined in the Annexes of Directive 2011/65/EU (RoHS2). Finished electrical and electronic equipment products will be CE marked as required by Directive 2011/65/EU. Components may not be CE marked. Additionally, the part numbers that TE has identified as EU ELV compliant have a maximum concentration of 0.1% by weight in homogenous materials for lead, hexavalent chromium, and mercury, and 0.01% for cadmium, or qualify for an exemption to these limits as defined in the Annexes of Directive 2000/53/EC (ELV). Regarding the REACH Regulation, the information TE provides on SVHC in articles for this part number is based on the latest European Chemicals Agency (ECHA) 'Guidance on requirements for substances in articles' posted at this URL: <https://echa.europa.eu/guidance-documents/guidance-on-reach>

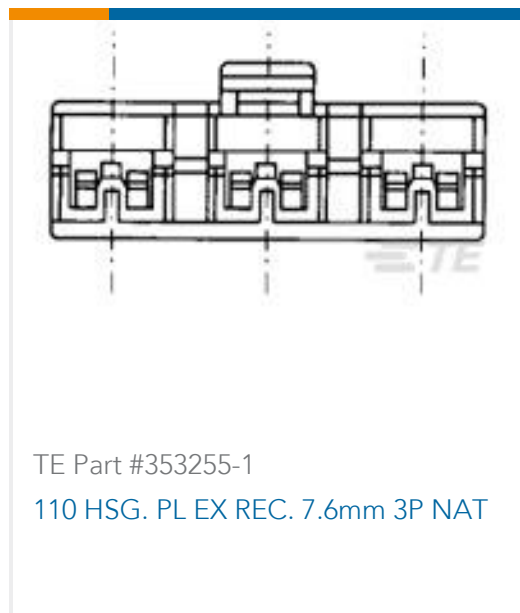
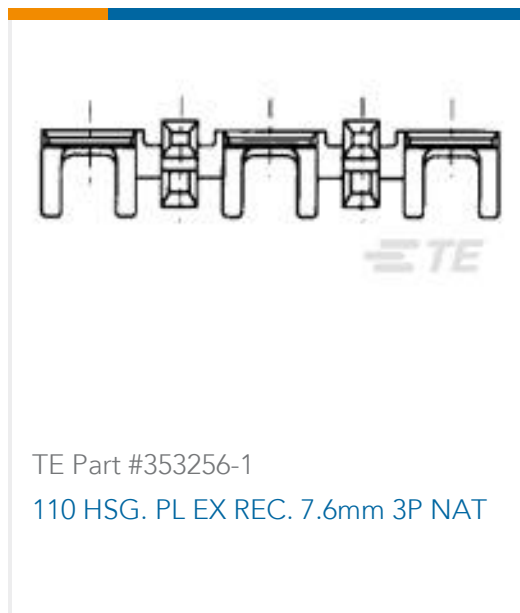
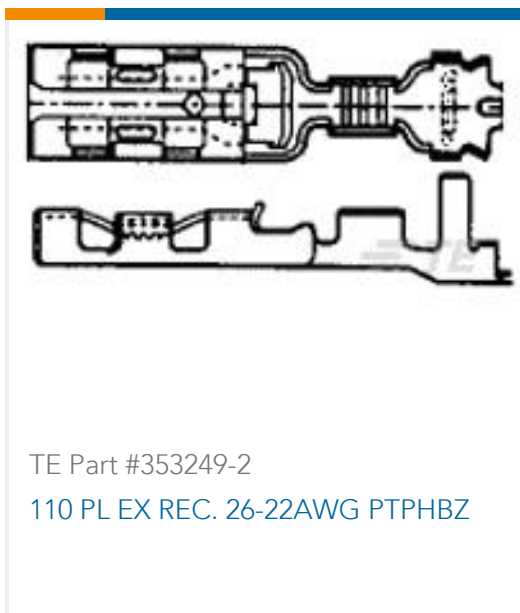
### Compatible Parts



## Also in the Series | Power Double Lock



## Customers Also Bought





## Documents

### Product Drawings

#### POWER DBL LOCK PLATE 4P /6.5MM

English

---

### CAD Files

#### Customer View Model

##### ENG\_CVM\_CVM\_316063-1\_C.2d\_dxf.zip

English

#### 3D PDF

3D

#### Customer View Model

##### ENG\_CVM\_CVM\_316063-1\_C.3d\_igs.zip

English

#### Customer View Model

##### ENG\_CVM\_CVM\_316063-1\_C.3d\_stp.zip

English

By downloading the CAD file I accept and agree to the [Terms and Conditions](#) of use.

---

### Datasheets & Catalog Pages

#### SOFT\_SHELL\_PIN\_AND\_SOCKET\_CONNECTORS\_CATALOG

English

#### 1773458-5\_POWER\_DBL\_LOCK\_(PDL)\_CONNECTORS

English

---

### Product Specifications

#### Application Specification

English

---

### Product Environmental Compliance

#### TE Material Declaration

English

---

### Instruction Sheets

#### Instruction Sheet (non U.S.)

English

#### AMP POWER DOUBLELOCK CONNECTOR SERIES

English