



AMP

TE Internal #: 314979-1

Hand Crimping Tools, TE Certification, Hydraulic (8,200 psi), Base Power Unit (No Crimp Tooling)

[View on TE.com >](#)

Application Tooling > Hand Crimping Tools



TE Certification: **Yes**

Power Technology Type: **Hydraulic (8,200 psi)**

Tooling Type: **Base Power Unit (No Crimp Tooling)**

Features

Other

TE Certification	Yes
Power Technology Type	Hydraulic (8,200 psi)
Tooling Type	Base Power Unit (No Crimp Tooling)

Product Compliance

[For compliance documentation, visit the product page on TE.com>](#)

EU RoHS Directive 2011/65/EU	Out of Scope
EU ELV Directive 2000/53/EC	Out of Scope
China RoHS 2 Directive MIIT Order No 32, 2016	Not reviewed for China RoHS compliance
EU REACH Regulation (EC) No. 1907/2006	Current ECHA Candidate List: JUNE 2023 (235) Candidate List Declared Against: JUL 2021 (219) Does not contain REACH SVHC
Halogen Content	Not Yet Reviewed for halogen content
Solder Process Capability	Not applicable for solder process capability

Product Compliance Disclaimer

This information is provided based on reasonable inquiry of our suppliers and represents our current actual knowledge based on the information they provided. This information is subject to change. The part numbers that TE has identified as EU RoHS compliant have a maximum concentration of 0.1% by weight in homogenous materials for lead, hexavalent chromium, mercury, PBB, PBDE, DBP, BBP, DEHP, DIBP, and 0.01% for cadmium, or qualify for an exemption to these limits as defined in the Annexes of Directive 2011/65/EU (RoHS2). Finished electrical and electronic equipment products will be CE marked as required by Directive 2011/65/EU. Components may not be CE marked. Additionally, the part numbers that TE has identified as EU ELV compliant have a maximum concentration of 0.1% by weight in homogenous materials for lead, hexavalent chromium, and mercury, and 0.01% for cadmium, or qualify for an exemption to these limits

as defined in the Annexes of Directive 2000/53/EC (ELV). Regarding the REACH Regulation, the information TE provides on SVHC in articles for this part number is based on the latest European Chemicals Agency (ECHA) 'Guidance on requirements for substances in articles' posted at this URL: <https://echa.europa.eu/guidance-documents/guidance-on-reach>

Compatible Parts



TE Part # 54753-1
TERMINAL R 90 DEG PG 6 10



TE Part # 321259-1
TERM, SOLIS FLAG HR 4/0 1/2



TE Part # 324658
SPLICE BUTT S-M TERMINYL 8



TE Part # 324657
SPLICE BUTT M-M TERMINYL 8



TE Part # 2-329491-2
SPLICE,TERMI-FOIL 12 IN.



TE Part # 2-329490-2
SPLICE,TERMI-FOIL 12 IN.



TE Part # 69082
HYP8 4/0-1000MCM 26T HEAD



TE Part # 696434-1
TERM, RING, PLASTI-GRIP, 4, #10, 90 BEND



TE Part # 2-329491-3
SPLICE,TERMI-FOIL 15 IN.



TE Part # 321866-1
STRATO-THERM, HR 1/0 1/4 NIPL



TE Part # 321874-2
STRATO-THERM, HR 3/0 5/16 NIPL

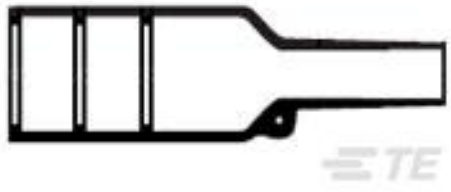


TE Part # 321875-1
STRATO-THERM, HR 3/0 3/8 NIPL



TE Part # 321880-1
STRATO-THERM, HR 4/0 1/2 NIPL

Customers Also Bought

TE Part #812997-000
202K121-3-0



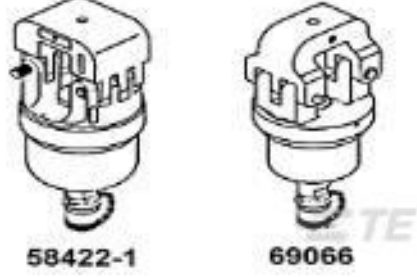
TE Part #130106
TERM, RT, SOLIS, 16-14, M5



TE Part #34120
TERMINAL, SOLIS R 16-14 6



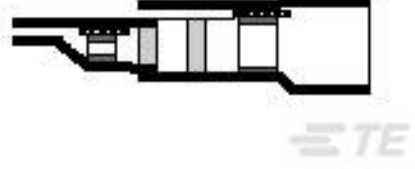
TE Part #2-320572-3
TERMINAL, PIDG R IR 20 5/16



TE Part #69066
HYP8 8-4/0AWG 22T HEAD



TE Part #ZPF000000000007489
983-OSE 10-05 PN




TE Part #405617-000
B-044-24-N



TE Part #132391-1
COAXICON RF ANGLE PLUG C



TE Part #ZPF000000000003647
724-8021-12



TE Part #ZPF000000000002075
182-1324-06

Documents

Datasheets & Catalog Pages

[AT-Hydraulic Crimp Tooling Solutions-1654519](#)

English

Bottoming Dies

English

Instruction Sheets

[Customer Manual \(U.S.\)](#)

English