

31428-1 ✓ ACTIVE

SOLISTRAND | SOLISTRAND Budget

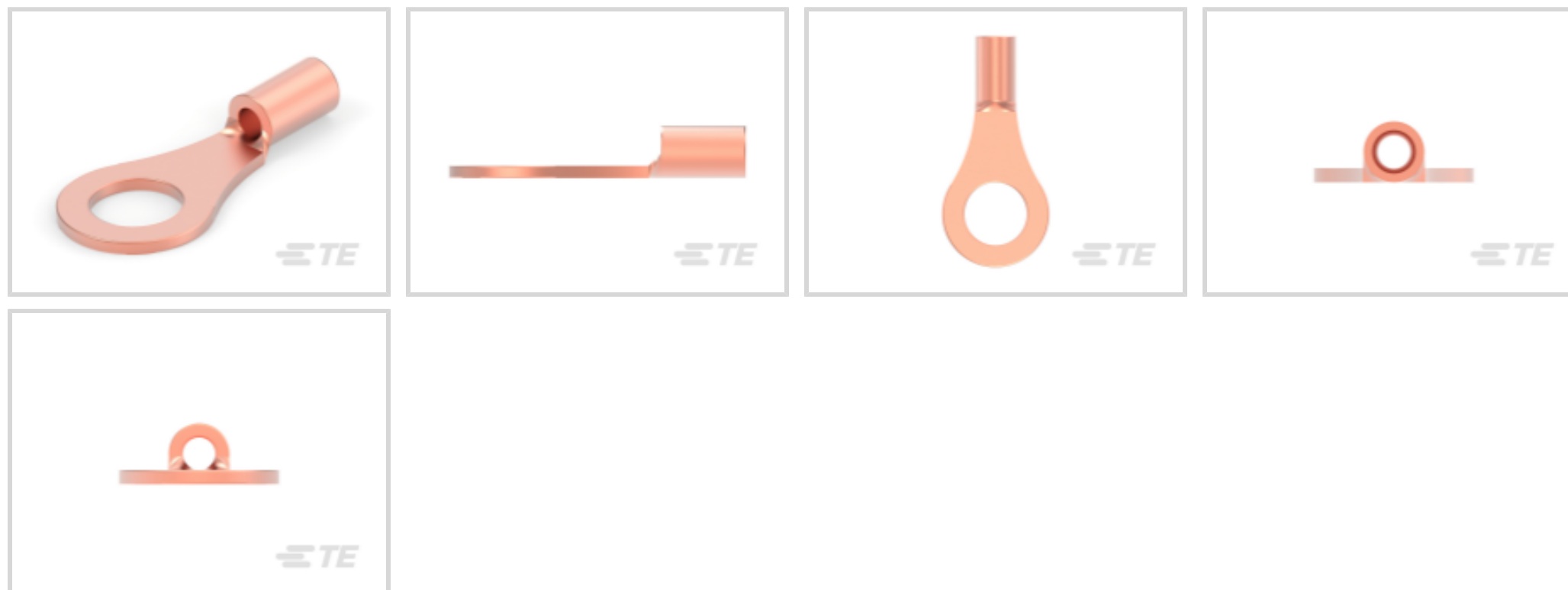
TE Internal #: 31428-1

Closed Ring Tongue Terminal, 26 – 22 AWG, M8 / #4 Stud Size,
2.84 mm [.112 in] Stud Diameter, Closed Barrel, Straight, Unplated,
SOLISTRAND Budget

[View on TE.com >](#)



Terminals & Splices > Ring Terminals



Ring Terminal Product Type: Closed Ring Tongue Terminal

Wire Size: 202 – 810 CMA

Stud Size: #4, M8

Features

Product Type Features

Ring Terminal Product Type	Closed Ring Tongue Terminal
Stud Size	#4, M8
Sealable	No
Wire Insulation Support Retention Type	Non-Insulation Support

Configuration Features

Number of Holes	1
-----------------	---

Body Features

Product Weight	.156 g
----------------	--------

Contact Features

Barrel Type	Closed
Terminal Orientation	Straight
Terminal Plating Material	Unplated

Mechanical Attachment

Wire Insulation Support	Without
-------------------------	---------

Dimensions



Wire Size	202 – 810 CMA
Stud Diameter	2.84 mm [.112 in]
Tongue Thickness	.79 mm [.031 in]
Product Length	11.43 mm [.45 in]
Barrel Inside Diameter	.89 mm [.035 in]

Usage Conditions

Insulation Option	Uninsulated
Operating Temperature Range	170 °C [338 °F]

Operation/Application

Compatible With Wire Base Material	Copper
Compatible With Wire Plating Material	Tin

Industry Standards

Government Qualified Terminal	No
-------------------------------	----

Packaging Features

Packaging Quantity	1000
Packaging Method	Package

Other

Line	Budget
------	--------

Product Compliance

[For compliance documentation, visit the product page on TE.com>](#)

EU RoHS Directive 2011/65/EU	Compliant
EU ELV Directive 2000/53/EC	Compliant
China RoHS 2 Directive MIIT Order No 32, 2016	No Restricted Materials Above Threshold
EU REACH Regulation (EC) No. 1907/2006	Current ECHA Candidate List: JUNE 2023 (235) Candidate List Declared Against: JUNE 2022 (224) Does not contain REACH SVHC
Halogen Content	Low Halogen - Br, Cl, F, I < 900 ppm per homogenous material. Also BFR/CFR/PVC Free
Solder Process Capability	Not applicable for solder process capability

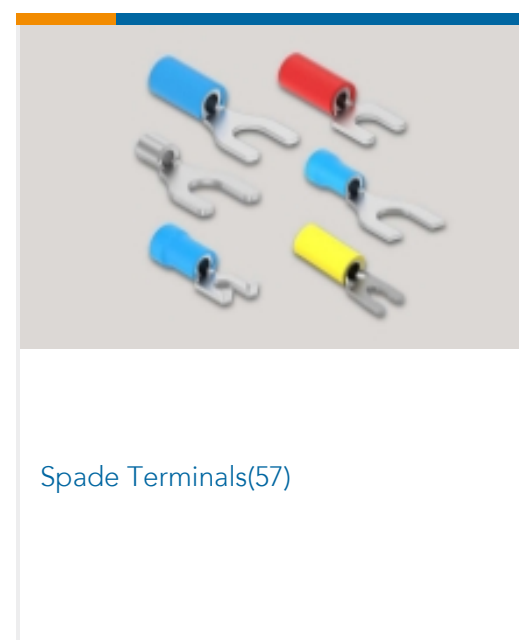
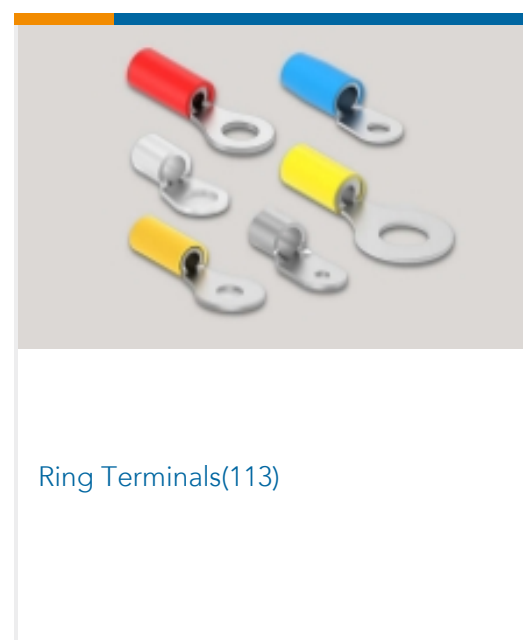
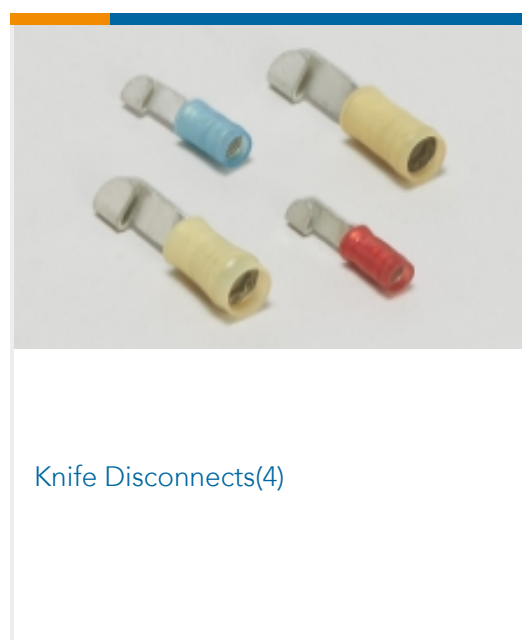
Product Compliance Disclaimer

This information is provided based on reasonable inquiry of our suppliers and represents our current actual knowledge based on the information they provided. This information is subject to change. The part numbers that TE has identified as EU RoHS compliant have a maximum concentration of 0.1% by weight in homogenous materials for lead, hexavalent chromium, mercury, PBB, PBDE, DBP, BBP, DEHP, DIBP, and 0.01% for cadmium, or qualify for an exemption to these limits as defined in the Annexes of Directive 2011/65/EU (RoHS2). Finished electrical and electronic equipment products will be CE marked as required by Directive 2011/65/EU. Components may not be CE marked. Additionally, the part numbers that TE has identified as EU ELV compliant have a maximum concentration of 0.1% by weight in homogenous materials for lead, hexavalent chromium, and mercury, and 0.01% for cadmium, or qualify for an exemption to these limits as defined in the Annexes of Directive 2000/53/EC (ELV). Regarding the REACH Regulation, the information TE provides on SVHC in articles for this part number is based on the latest European Chemicals Agency (ECHA) 'Guidance on requirements for substances in articles' posted at this URL: <https://echa.europa.eu/guidance-documents/guidance-on-reach>

Compatible Parts



Also in the Series | SOLISTRAND Budget



Customers Also Bought





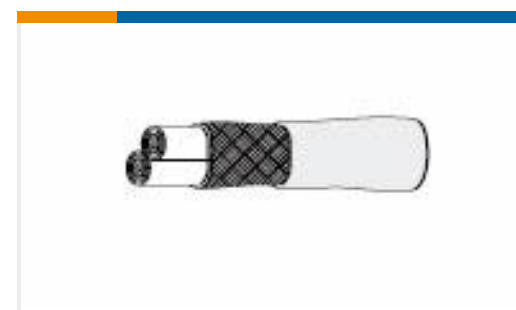
TE Part #3-1991253-7
37 WAY LOW COST D SUB BACKSHEL



TE Part #1-1437719-2
T01-0540-P05-MALE PLUG
CONNECTOR-CRIMP



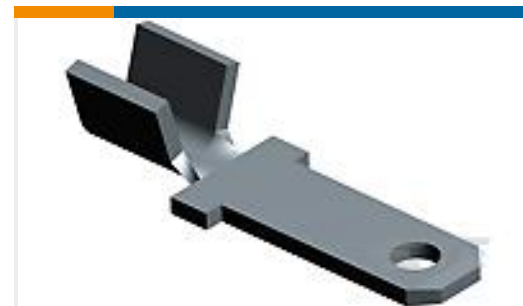
TE Part #6-1614882-8
CPF 0603 100K 0.1% 25PPM 5K RL



TE Part #804527-000
55PC1121-22-2/6-9CS2502



TE Part #680332-000
D-609-12



TE Part #62887-1
110 FASTON,TAB,20-16 AWG,TPBR

Documents

Product Drawings

[BUDGET,RING,26-22,4,UNPLTD](#)

English

CAD Files

[3D PDF](#)

English

Customer View Model

[ENG_CVM_31428-1_D.2d_dxf.zip](#)

English

Customer View Model

[ENG_CVM_31428-1_D.3d_igs.zip](#)

English

Customer View Model

[ENG_CVM_31428-1_D.3d_stp.zip](#)

English

[3D PDF](#)

3D

Customer View Model

[ENG_CVM_CVM_31428-1_KW.2d_dxf.zip](#)

English

Customer View Model

[ENG_CVM_CVM_31428-1_KW.3d_igs.zip](#)

English

Customer View Model

[ENG_CVM_CVM_31428-1_KW.3d_stp.zip](#)

English

31428-1

Closed Ring Tongue Terminal, 26 – 22 AWG, M8 / #4 Stud Size, 2.84 mm [.112 in]
Stud Diameter, Closed Barrel, Straight, Unplated, SOLISTRAND Budget



By downloading the CAD file I accept and agree to the [Terms and Conditions](#) of use.

Datasheets & Catalog Pages

SOLISTRAND - QRG

English