



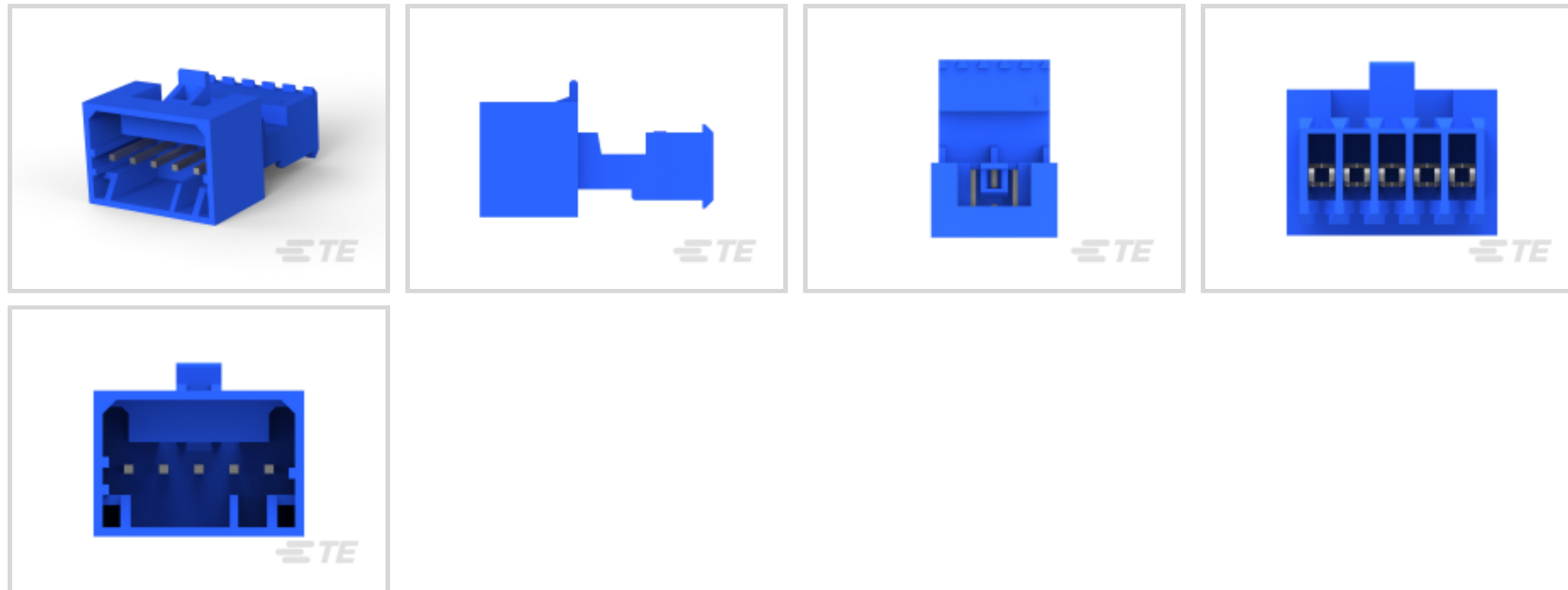
MTA 100

TE Internal #: 3-647002-5

TE Internal Description: 05P MTA100 PSTD CONN ASSY LF

MTA Plug: Nylon, Tin Plated, 2.54 mm, with Mating Alignment

[View on TE.com >](#)



All MTA Plug: Nylon, Tin Plated, 2.54 mm, with Mating Alignment (28)

Product Compliance

[For compliance documentation, visit the product page on TE.com>](#)

EU RoHS Directive 2011/65/EU	Compliant
EU ELV Directive 2000/53/EC	Compliant
China RoHS 2 Directive MIIT Order No 32, 2016	No Restricted Materials Above Threshold
EU REACH Regulation (EC) No. 1907/2006	Current ECHA Candidate List: JUNE 2023 (235) Candidate List Declared Against: JUNE 2022 (224) Does not contain REACH SVHC
Halogen Content	Low Halogen - Br, Cl, F, I < 900 ppm per homogenous material. Also BFR/CFR/PVC Free
Solder Process Capability	Not applicable for solder process capability

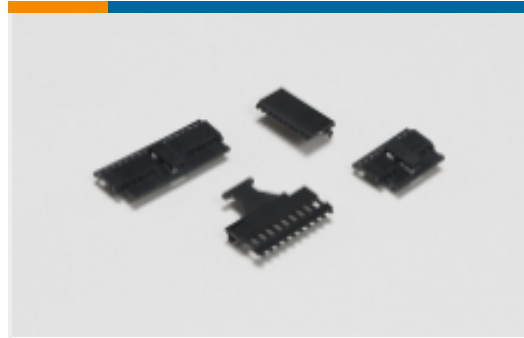
Product Compliance Disclaimer

This information is provided based on reasonable inquiry of our suppliers and represents our current actual knowledge based on the information they provided. This information is subject to change. The part numbers that TE has identified as EU RoHS compliant have a maximum concentration of 0.1% by weight in homogenous materials for lead, hexavalent chromium, mercury, PBB, PBDE, DBP, BBP, DEHP, DIBP, and 0.01% for cadmium, or qualify for an exemption to these limits as defined in the Annexes of Directive 2011/65/EU (RoHS2). Finished electrical and electronic equipment products will be CE marked as required by Directive 2011/65/EU. Components may not be CE marked. Additionally, the part numbers that TE has identified as EU ELV compliant have a maximum concentration of 0.1% by weight in homogenous materials for lead, hexavalent chromium, and mercury, and 0.01% for cadmium, or qualify for an exemption to these limits as defined in the Annexes of Directive 2000/53/EC (ELV). Regarding the REACH Regulation, the information TE provides on SVHC in articles for this part number is based on the latest European Chemicals Agency (ECHA) 'Guidance on requirements for substances in articles' posted at this URL: <https://echa.europa.eu/guidance-documents/guidance-on-reach>

Also in the Series | MTA 100



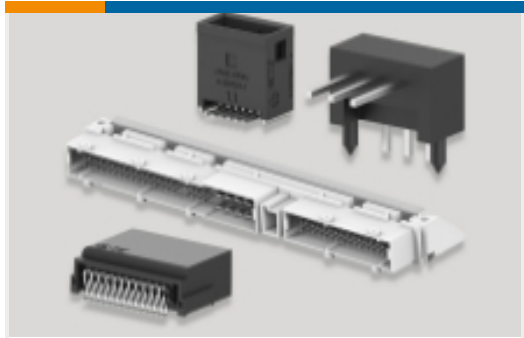
Insertion & Extraction Tools(2)



PCB Connector Covers(69)



PCB Connector Keying(1)



PCB Headers & Receptacles(440)



Standard Rectangular Connectors(495)



Wire-to-Board Connector Assemblies & Housings(1)



Wire-to-Board Connector Contacts(8)

Customers Also Bought



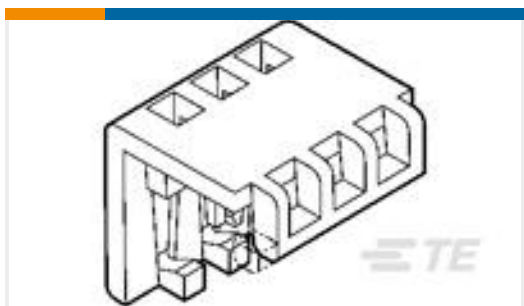
TE Part #3-647002-4
04P MTA100 PSTD CONN ASSY LF



TE Part #3-643815-5
05P MTA100 CONN ASSY POL RIB



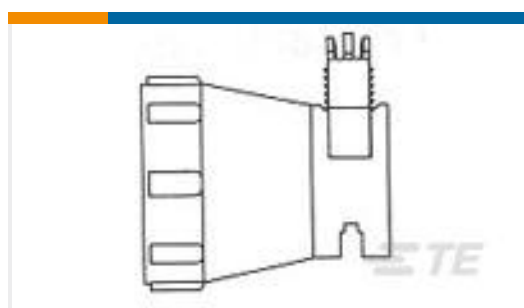
TE Part #2439450001
RPS-1K-22-18/2.0-9



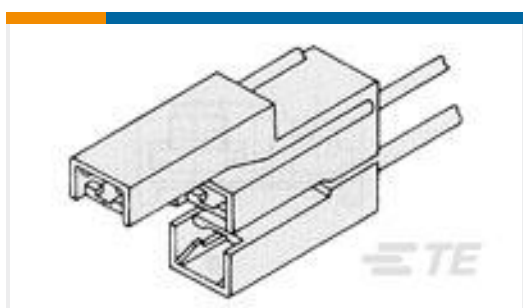
TE Part #643075-5
05P MTA100 MOLDED COVER



TE Part #1625999-3
HSC100 10R 5%



TE Part #1445730-1
STRN RELIEF ASY,STRT SIZE 8



TE Part #360010-1
187 FASTON HSG.,REC.,3 POS,
NATRUAL



TE Part #2132781-3
03P EP-II HOUSING, NATURAL



TE Part #292254-3
CT RELAY HDR ASSY 3P NAT



TE Part #292254-2
CT RELAY HDR ASSY 2P NAT



Documents

Product Drawings

[05P MTA100 PSTD CONN ASSY LF](#)

English

CAD Files

Customer View Model

[ENG_CVM_CVM_3-647002-5_D.2d_dxf.zip](#)

English

[3D PDF](#)

3D

Customer View Model

[ENG_CVM_CVM_3-647002-5_D.3d_igs.zip](#)

English

Customer View Model

[ENG_CVM_CVM_3-647002-5_D.3d_stp.zip](#)

English

By downloading the CAD file I accept and agree to the [Terms and Conditions](#) of use.

Product Specifications

[Application Specification](#)

English

Agency Approvals

[CSA Certificate](#)

English