



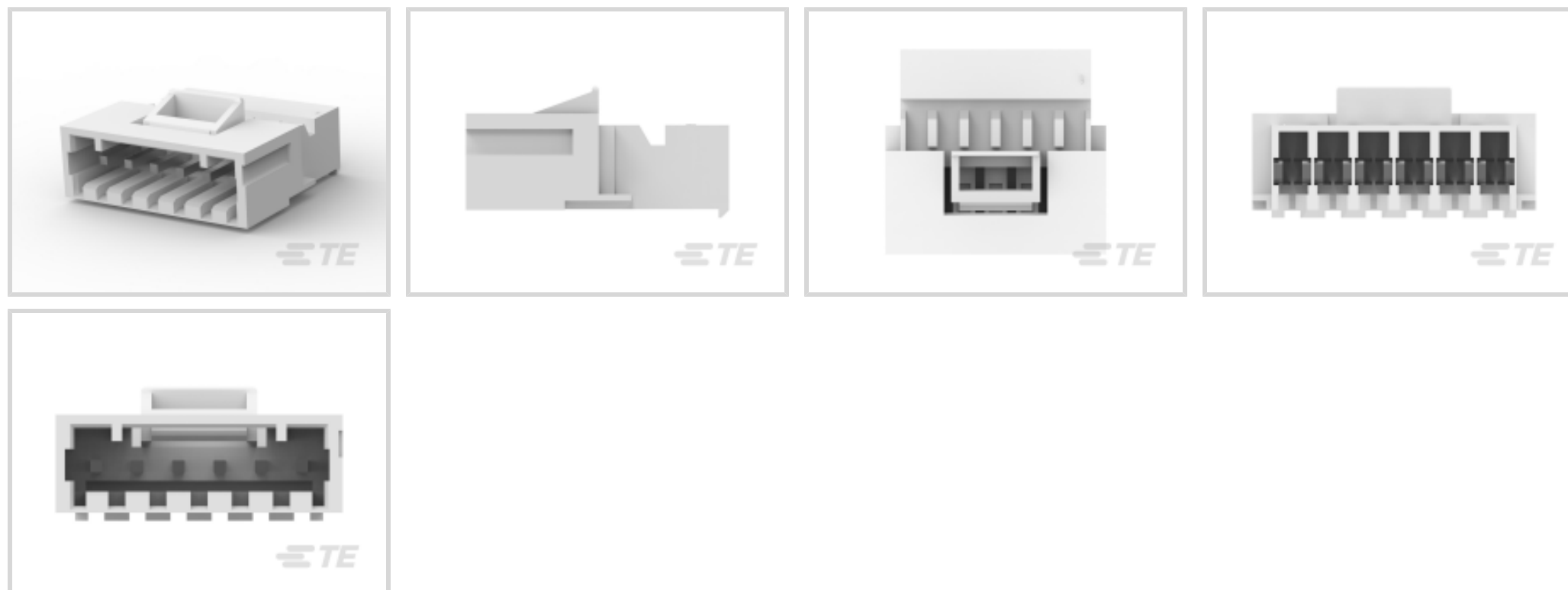
MTA 156

TE Internal #: 3-641438-6

Standard Rectangular Connectors, Connector Assembly, Plug, Mating Alignment, Polarization Mating Alignment Type, Mating Retention, MTA 156

[View on TE.com >](#)

Connectors > Rectangular Connectors > Standard Rectangular Connectors



Connector Product Type: **Connector Assembly**

Connector & Housing Type: **Plug**

Mating Alignment: **With**

Mating Alignment Type: **Polarization**

Mating Retention: **With**

Features

Product Type Features

Compatible With Discrete Wire Type	Stranded
Connector Product Type	Connector Assembly
Connector & Housing Type	Plug
Connector System	Wire-to-Wire
Insertion Force Type	Normal
Sealable	No
Connector & Contact Terminates To	Wire & Cable

Configuration Features

Number of Cavities	6
Contacts Preloaded	Yes
Number of Positions	6
Number of Rows	1

Electrical Characteristics

Operating Voltage	600 VAC
-------------------	---------



Contact Features

Contact Type	Tab
Wire Contact Termination Area Plating Material	Tin
Contact Underplating Material	Nickel
Contact Mating Area Plating Material	Tin
Contact Retention Within Housing	With
Contact Current Rating (Max)	7 A

Termination Features

Termination Method to Wire & Cable	Insulation Displacement (IDC)
------------------------------------	-------------------------------

Mechanical Attachment

Contact Retention Type Within Housing	Locking Lance
Mating Alignment	With
Mating Alignment Type	Polarization
Mating Retention	With
Mating Retention Type	Latch
Connector Mounting Type	Cable Mount (Free-Hanging)

Housing Features

Housing Material	Nylon 6/6
Housing Color	White
Centerline (Pitch)	3.96 mm[.156 in]

Dimensions

Connector Height	12.37 mm[.487 in]
Product Width	25.65 mm[1.01 in]
Product Length	39.62 mm[1.56 in]
Wire Size	.2 mm ²

Usage Conditions

Operating Temperature Range	-55 – 105 °C[-67 – 221 °F]
-----------------------------	----------------------------

Operation/Application

Shielded	No
Circuit Application	Signal

Industry Standards

CSA Rating	LR 7189
------------	---------



UL Rating	Recognized
Agency/Standard	CSA, UL
Approved Standards	UL E28476
UL Flammability Rating	UL 94V-2

Packaging Features

Packaging Quantity	1100
Packaging Method	Package

Product Compliance

[For compliance documentation, visit the product page on TE.com>](#)

EU RoHS Directive 2011/65/EU	Compliant
EU ELV Directive 2000/53/EC	Compliant
China RoHS 2 Directive MIIT Order No 32, 2016	No Restricted Materials Above Threshold
EU REACH Regulation (EC) No. 1907/2006	Current ECHA Candidate List: JUNE 2023 (235) Candidate List Declared Against: JUNE 2023 (235) Does not contain REACH SVHC
Halogen Content	Low Halogen - Br, Cl, F, I < 900 ppm per homogenous material. Also BFR/CFR/PVC Free
Solder Process Capability	Not applicable for solder process capability

Product Compliance Disclaimer

This information is provided based on reasonable inquiry of our suppliers and represents our current actual knowledge based on the information they provided. This information is subject to change. The part numbers that TE has identified as EU RoHS compliant have a maximum concentration of 0.1% by weight in homogenous materials for lead, hexavalent chromium, mercury, PBB, PBDE, DBP, BBP, DEHP, DIBP, and 0.01% for cadmium, or qualify for an exemption to these limits as defined in the Annexes of Directive 2011/65/EU (RoHS2). Finished electrical and electronic equipment products will be CE marked as required by Directive 2011/65/EU. Components may not be CE marked. Additionally, the part numbers that TE has identified as EU ELV compliant have a maximum concentration of 0.1% by weight in homogenous materials for lead, hexavalent chromium, and mercury, and 0.01% for cadmium, or qualify for an exemption to these limits as defined in the Annexes of Directive 2000/53/EC (ELV). Regarding the REACH Regulation, the information TE provides on SVHC in articles for this part number is based on the latest European Chemicals Agency (ECHA) 'Guidance on requirements for substances in articles' posted at this URL: <https://echa.europa.eu/guidance-documents/guidance-on-reach>

Compatible Parts



TE Part # CAT-103156-WBHSM
Receptacle Housing: Wire-to-Board, with Mating Alignment, SL156



TE Part # 58074-1
MTA 50/100/156 MANUAL TOOL FRAME



TE Part # 643067-6
06P MTA156 MOLDED COVER



TE Part # 640551-6
06P MTA156 COVER



TE Part # 3-640428-6
06P MTA156 CONN ASSY 22AWG RED



TE Part # 3-640599-6
06P MTA156 CONN ASSY 18AWG ORA



TE Part # 3-640427-6
06P MTA156 CONN ASSY 20AWG YEL



TE Part # 640643-6
06P MTA156 COVER F/T



TE Part # 3-640600-6
06P MTA156 CONN ASSY 20AWG LF



TE Part # 643071-6
06P MTA156 FD-THRU COVER



TE Part # 3-644860-6
06P MTA156 CONN ASSY 18AWG LF



TE Part # 3-640429-6
06P MTA156 CONN ASSY 24AWG WHT



TE Part # 3-640602-6
06P MTA156 CONN ASSY 24AWG LF



TE Part # 3-640426-6
06P MTA156 CONN ASSY 18AWG ORA



TE Part # 3-640601-6
06P MTA156 CONN ASSY 22AWG LF



TE Part # 58082-1
MTA 156 CRIMP HEAD PRODUCTION POSTED



TE Part # 3-640430-6
06P MTA156 CONN ASSY 26AWG BLU



TE Part # 58009-2
MTA 156 BOARD FIXTURE CLOSED END POSTED



TE Part # 58040-1
MTA 156 ARBOR FIXTURE DISCRETE RBN CABLE

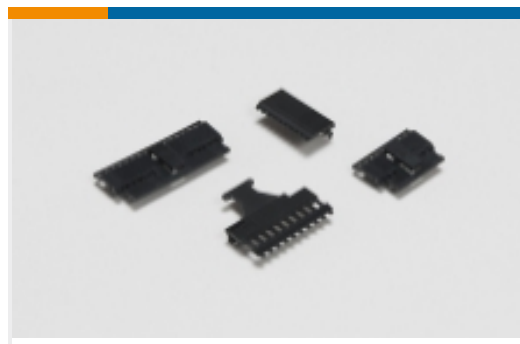


TE Part # 58576-1
MTA 156 PNEUMATIC TOOL FOR BOARD FIXTURE

Also in the Series | **MTA 156**



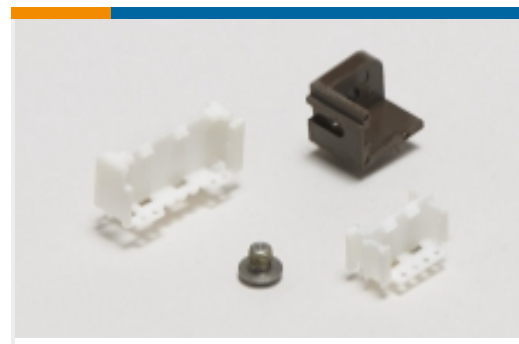
Insertion & Extraction Tools(1)



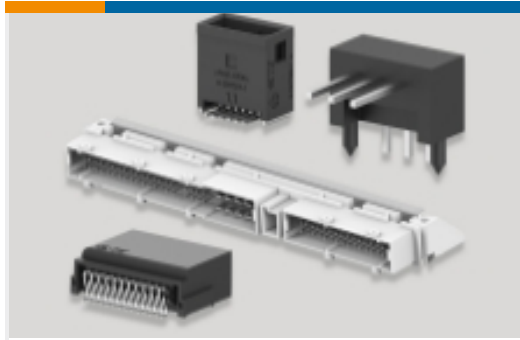
PCB Connector Covers(88)



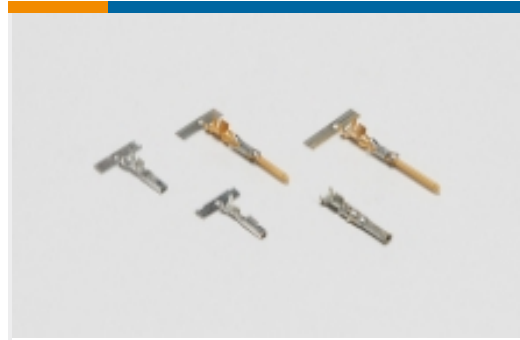
PCB Connector Keying(2)



PCB Connector Mounting(1)



PCB Headers & Receptacles(314)



Power Contacts(2)



Rectangular Power Connectors(698)



Standard Rectangular Connectors(337)

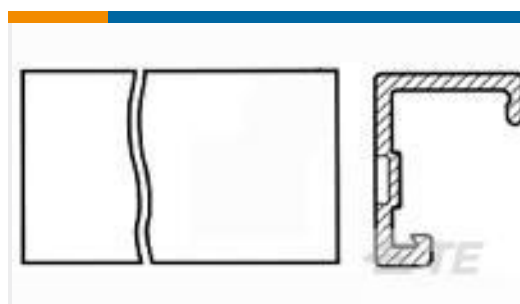


Wire-to-Board Connector Contacts(2)

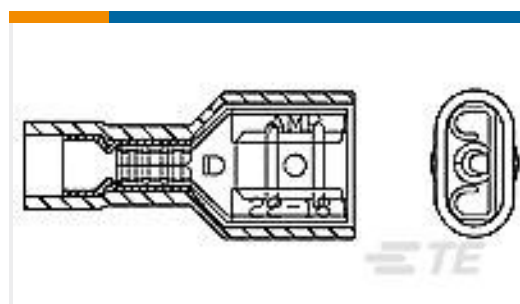
Customers Also Bought



TE Part #640250-4
04P SL156 HSG W/LCK RAMP NATL



TE Part #640551-6
06P MTA156 COVER



TE Part #735278
EPEZT * STECKHUELSE ISOLIERT 6,3 X 1,0 *



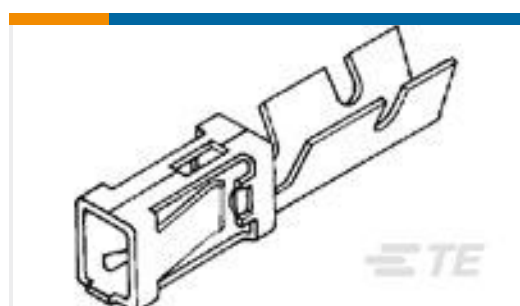
TE Part #3-643818-6
06P MTA156 CONN ASSY 20AWG YEL



TE Part #170362-3
MINI UNIVERSAL M-N-L SOCKET



TE Part #180464-2
250 FASTON, FLAG, REC., 14-17AWG, LATON



TE Part #102100-2
MOD I RECP PLTD 30 SEL

Documents



Product Drawings

06P MTA156 PSTD CONN ASSY WHT

English

CAD Files

3D PDF

3D

Customer View Model

[ENG_CVM_CVM_3-641438-6_R.2d_dxf.zip](#)

English

Customer View Model

[ENG_CVM_CVM_3-641438-6_R.3d_igs.zip](#)

English

Customer View Model

[ENG_CVM_CVM_3-641438-6_R.3d_stp.zip](#)

English

Customer View Model

[ENG_CVM_3-641438-6_M.3d_igs.zip](#)

English

Customer View Model

[ENG_CVM_3-641438-6_M.3d_stp.zip](#)

English

Customer View Model

[ENG_CVM_3-641438-6_M.2d_dxf.zip](#)

English

3D PDF

English

By downloading the CAD file I accept and agree to the [Terms and Conditions](#) of use.

Product Specifications

Product Specification

English

Product Specification

English

Agency Approvals

Agency Approval Document

English