

3-521247-2 ✓ ACTIVE

Ultra-Fast | Ultra-Fast 187

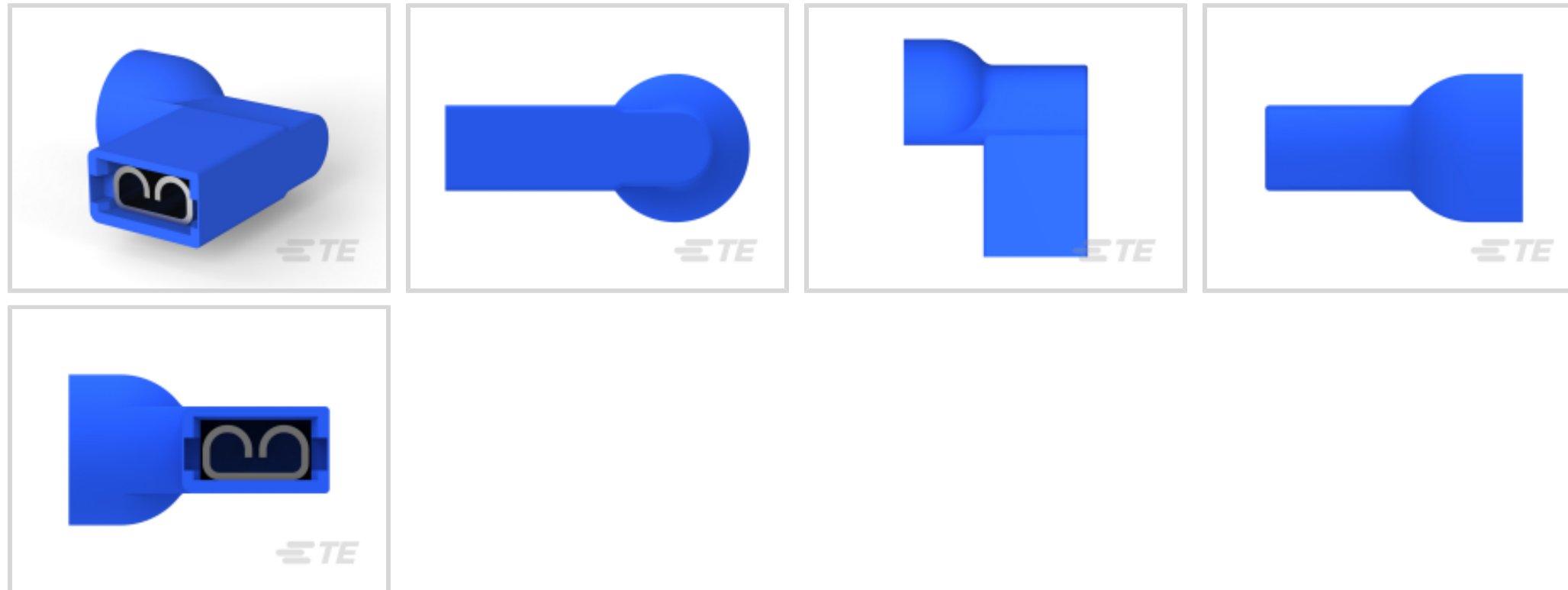
TE Internal #: 3-521247-2

Quick Disconnects, Receptacle, 16 – 14 AWG Wire Size, 1.31 – 2.08 mm<sup>2</sup> Wire Size, Mating Tab Width 4.75 mm [.187 in], Flag, Brass, Ultra-Fast 187

[View on TE.com >](#)



Terminals & Splices > Quick Disconnects



Quick Disconnect Terminal Type: **Receptacle**

Wire Size: 1.31 – 2.08 mm<sup>2</sup>

Mating Tab Width: 4.75 mm [.187 in]

Mating Tab Thickness: .81 mm [.032 in]

## Features

### Product Type Features

Insertion Force	Low
-----------------	-----

### Configuration Features

Connection Capacity	Single
---------------------	--------

Compatible With Wire & Cable Type	Discrete Wire
-----------------------------------	---------------

### Electrical Characteristics

Voltage Rating	600 V
----------------	-------

### Body Features

Insulation Material	Nylon
---------------------	-------

### Contact Features

Quick Disconnect Terminal Type	Receptacle
--------------------------------	------------

Mating Tab Width	4.75 mm [.187 in]
------------------	-------------------

Mating Tab Thickness	.81 mm [.032 in]
----------------------	------------------

Terminal Orientation	Flag
----------------------	------

Contact Base Material	Brass
-----------------------	-------



Terminal Plating Material	Tin
Crimp Type	F-Crimp
Barrel Type	Closed

#### Termination Features

Product Terminates To	Wire & Cable
-----------------------	--------------

#### Mechanical Attachment

Wire Insulation Support	With
Mating Retention Type	Dimple

#### Dimensions

Terminal Material Thickness	.41 mm[.016 in]
Product Length	14.35 mm[.565 in]
Compatible Insulation Diameter Range	6.6 mm[.26 in]
Wire Size	1.31 – 2.08 mm <sup>2</sup>

#### Usage Conditions

Insulation Option	Fully Insulated
Operating Temperature Range	-40 – 110 °C[-40 – 230 °F]

#### Industry Standards

Agency/Standard	UL
UL Flammability Rating	UL 94V-2

#### Packaging Features

Packaging Quantity	1700
Packaging Method	Strip/Reel

#### Other

Barrel Color	Blue
--------------	------

#### Product Compliance

[For compliance documentation, visit the product page on TE.com>](#)

EU RoHS Directive 2011/65/EU	Compliant
EU ELV Directive 2000/53/EC	Compliant
China RoHS 2 Directive MIIT Order No 32, 2016	No Restricted Materials Above Threshold
EU REACH Regulation (EC) No. 1907/2006	Current ECHA Candidate List: JUNE 2023 (235)



Candidate List Declared Against: JUNE 2023 (235)  
Does not contain REACH SVHC

Halogen Content	Low Halogen - Br, Cl, F, I < 900 ppm per homogenous material. Also BFR/CFR/PVC Free
Solder Process Capability	Not applicable for solder process capability

Product Compliance Disclaimer

This information is provided based on reasonable inquiry of our suppliers and represents our current actual knowledge based on the information they provided. This information is subject to change. The part numbers that TE has identified as EU RoHS compliant have a maximum concentration of 0.1% by weight in homogenous materials for lead, hexavalent chromium, mercury, PBB, PBDE, DBP, BBP, DEHP, DIBP, and 0.01% for cadmium, or qualify for an exemption to these limits as defined in the Annexes of Directive 2011/65/EU (RoHS2). Finished electrical and electronic equipment products will be CE marked as required by Directive 2011/65/EU. Components may not be CE marked. Additionally, the part numbers that TE has identified as EU ELV compliant have a maximum concentration of 0.1% by weight in homogenous materials for lead, hexavalent chromium, and mercury, and 0.01% for cadmium, or qualify for an exemption to these limits as defined in the Annexes of Directive 2000/53/EC (ELV). Regarding the REACH Regulation, the information TE provides on SVHC in articles for this part number is based on the latest European Chemicals Agency (ECHA) 'Guidance on requirements for substances in articles' posted at this URL: <https://echa.europa.eu/guidance-documents/guidance-on-reach>

### Compatible Parts



TE Part # 90391-3  
DIES ULTRA-FAST FASTON 16-14 DIE SET



TE Part # 2-2150641-2  
OCEAN\_2.0\_Applicator-E-237SP



TE Part # 2150641-2  
OCEAN\_2.0\_Applicator-E-237SP



TE Part # 7-2150641-2  
OCEAN\_2.0\_Applicator-E-237SP



**KIT**  
REPRESENTATION ONLY

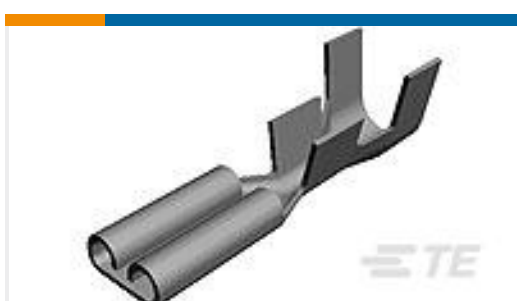
TE Part # 7-2150641-7  
OCEAN\_2.0\_SPARE\_PART\_KIT-237SP

Also in the Series | **Ultra-Fast 187**



Quick Disconnects(47)

## Customers Also Bought

TE Part #499252-3  
026 STRAIN RELIEF A-L RCPTTE Part #3-2176058-3  
RLP73K 3A R22 5% 2K RLTE Part #172333-1  
MINI UNIVERSAL M-N-L HOUSINGTE Part #9-520193-2  
ULTRA-FAST 187 ASY REC 22-18 AWG TPBRTE Part #60770-2  
RING CRIMP 18-14 AWG TPBRTE Part #826936-3  
3P AMPMODU II STIFT LEITE Part #5650263-1  
CONN SEC II 3 POS 100C/LTE Part #T4012008031-000  
M8 Field InstallableTE Part #63705-1  
125 FASTON REC 22-18 AWG BR

## Documents

### Product Drawings

[ULTRA-FAST 187 ASY REC 16-14 AWG TPBR](#)

English

### CAD Files

[3D PDF](#)

3D

[Customer View Model](#)

[ENG\\_CVM\\_CVM\\_3-521247-2\\_C.2d\\_dxf.zip](#)



English

Customer View Model

[ENG\\_CVM\\_CVM\\_3-521247-2\\_C.3d\\_igs.zip](#)

English

Customer View Model

[ENG\\_CVM\\_CVM\\_3-521247-2\\_C.3d\\_stp.zip](#)

English

By downloading the CAD file I accept and agree to the [Terms and Conditions](#) of use.

---

## Datasheets & Catalog Pages

[Ultra-Fast and Ultra Fast Plus](#)

English

---

## Product Specifications

[Application Specification](#)

English

---

## Agency Approvals

[UL](#)

English