



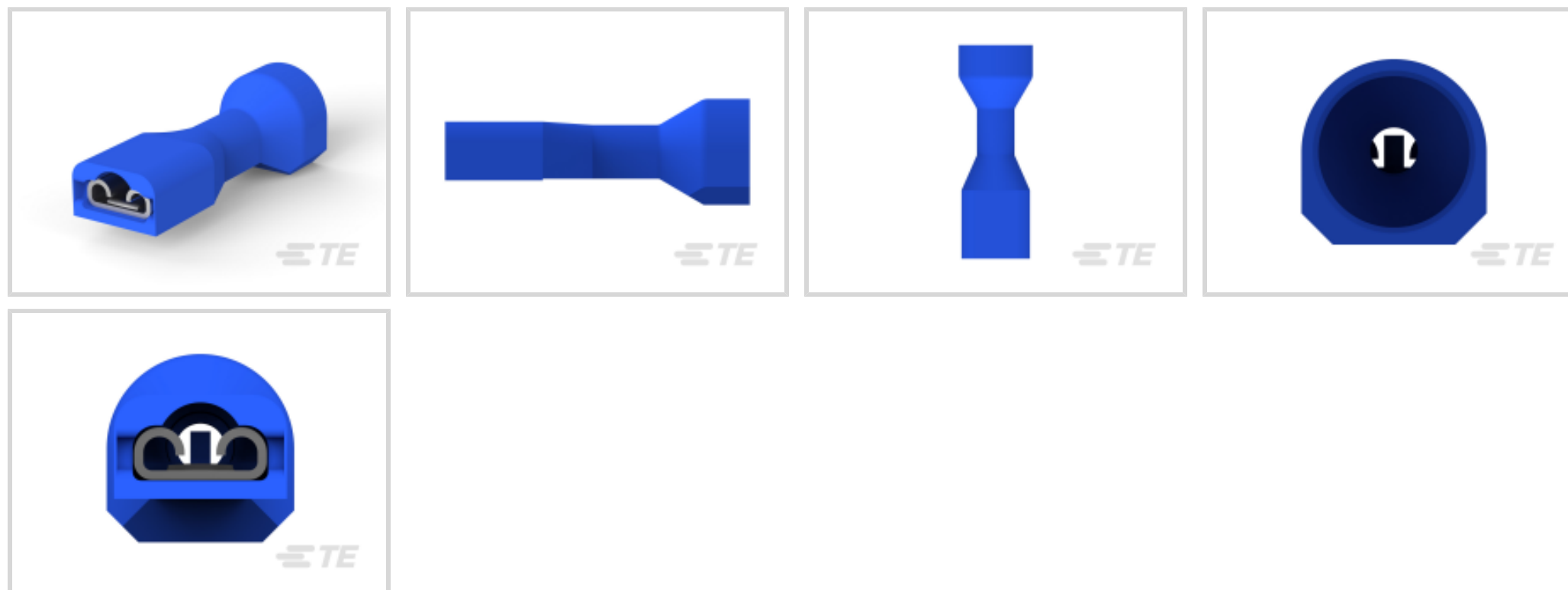
Ultra-Fast | Ultra-Fast 187

TE Internal #: 3-520276-2

Quick Disconnects, Receptacle, 16 – 14 AWG Wire Size, 1.31 – 2.08 mm² Wire Size, Mating Tab Width 4.75 mm [.187 in], Straight, Brass, Ultra-Fast 187

[View on TE.com >](#)

Terminals & Splices > Quick Disconnects



Quick Disconnect Terminal Type: **Receptacle**

Wire Size: 1.31 – 2.08 mm²

Mating Tab Width: 4.75 mm [.187 in]

Mating Tab Thickness: .81 mm [.032 in]

Features

Product Type Features

| | |
|-------------------|-----------|
| Terminal Features | Wire Stop |
| Insertion Force | Normal |

Configuration Features

| | |
|-----------------------------------|---------------|
| Connection Capacity | Single |
| Compatible With Wire & Cable Type | Discrete Wire |

Electrical Characteristics

| | |
|----------------|-------|
| Voltage Rating | 600 V |
|----------------|-------|

Body Features

| | |
|---------------------|-------|
| Insulation Material | Nylon |
|---------------------|-------|

Contact Features

| | |
|--------------------------------|-------------------|
| Quick Disconnect Terminal Type | Receptacle |
| Mating Tab Width | 4.75 mm [.187 in] |
| Mating Tab Thickness | .81 mm [.032 in] |
| Terminal Orientation | Straight |



| | |
|---------------------------|---------|
| Contact Base Material | Brass |
| Terminal Plating Material | Tin |
| Crimp Type | F-Crimp |
| Barrel Type | Closed |

Termination Features

| | |
|-----------------------|--------------|
| Product Terminates To | Wire & Cable |
|-----------------------|--------------|

Mechanical Attachment

| | |
|-------------------------|--------|
| Wire Insulation Support | With |
| Mating Retention Type | Dimple |

Dimensions

| | |
|--------------------------------------|-----------------------------|
| Terminal Material Thickness | .41 mm[.016 in] |
| Product Length | 23.79 mm[.935 in] |
| Compatible Insulation Diameter Range | 6.6 mm[.26 in] |
| Wire Size | 1.31 – 2.08 mm ² |

Usage Conditions

| | |
|-----------------------------|----------------------------|
| Insulation Option | Fully Insulated |
| Operating Temperature Range | -40 – 110 °C[-40 – 230 °F] |

Industry Standards

| | |
|------------------------|----------|
| Agency/Standard | UL |
| UL Flammability Rating | UL 94V-2 |

Packaging Features

| | |
|--------------------|------------|
| Packaging Quantity | 2000 |
| Packaging Method | Strip/Reel |

Other

| | |
|--------------|------|
| Barrel Color | Blue |
|--------------|------|

Product Compliance

[For compliance documentation, visit the product page on TE.com>](#)

| | |
|---|---|
| EU RoHS Directive 2011/65/EU | Compliant |
| EU ELV Directive 2000/53/EC | Compliant |
| China RoHS 2 Directive MIIT Order No 32, 2016 | No Restricted Materials Above Threshold |
| EU REACH Regulation (EC) No. 1907/2006 | |



Current ECHA Candidate List: JUNE 2023 (235)

Candidate List Declared Against: JUNE 2023 (235)

Does not contain REACH SVHC

Halogen Content

Low Halogen - Br, Cl, F, I < 900 ppm per homogenous material. Also BFR/CFR/PVC Free

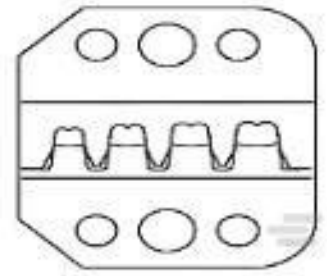
Solder Process Capability

Not applicable for solder process capability

Product Compliance Disclaimer

This information is provided based on reasonable inquiry of our suppliers and represents our current actual knowledge based on the information they provided. This information is subject to change. The part numbers that TE has identified as EU RoHS compliant have a maximum concentration of 0.1% by weight in homogenous materials for lead, hexavalent chromium, mercury, PBB, PBDE, DBP, BBP, DEHP, DIBP, and 0.01% for cadmium, or qualify for an exemption to these limits as defined in the Annexes of Directive 2011/65/EU (RoHS2). Finished electrical and electronic equipment products will be CE marked as required by Directive 2011/65/EU. Components may not be CE marked. Additionally, the part numbers that TE has identified as EU ELV compliant have a maximum concentration of 0.1% by weight in homogenous materials for lead, hexavalent chromium, and mercury, and 0.01% for cadmium, or qualify for an exemption to these limits as defined in the Annexes of Directive 2000/53/EC (ELV). Regarding the REACH Regulation, the information TE provides on SVHC in articles for this part number is based on the latest European Chemicals Agency (ECHA) 'Guidance on requirements for substances in articles' posted at this URL: <https://echa.europa.eu/guidance-documents/guidance-on-reach>

Compatible Parts



TE Part # 58628-2
PROCIMP DIESET 26-14 ULTRAFAST



TE Part # 90391-3
DIES ULTRA-FAST FASTON 16-14 DIE SET



TE Part # 58628-1
PROCIMP T&D 26-14 ULTRAFAST



TE Part # 2151032-2
OCEAN_2.0_APPLICATOR-S-205D



TE Part # 7-2151032-2
OCEAN_2.0_APPLICATOR-S-205D



KIT
REPRESENTATION ONLY

TE Part # 7-2151032-7
OCEAN_2.0_SPARE_PART_KIT-205D



TE Part # 2-2151032-2
OCEAN_2.0_APPLICATOR-S-205D

Also in the Series | **Ultra-Fast 187**

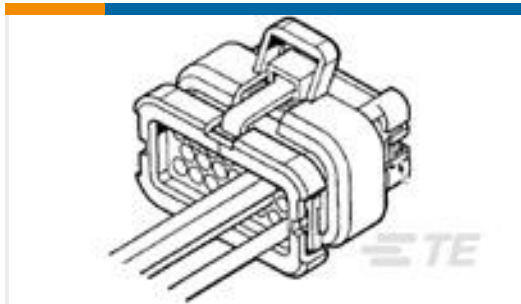


Quick Disconnects(47)

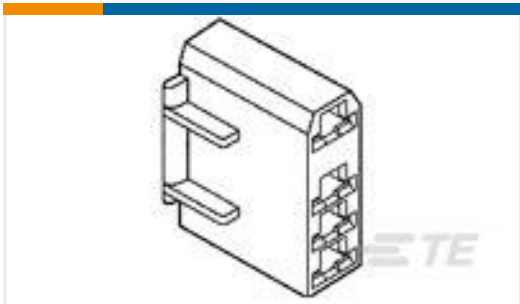
Customers Also Bought



TE Part #7-1393211-2
T92P7D22-48



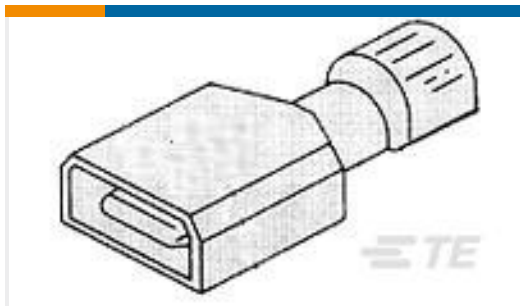
TE Part #776273-1
14POS,AMPSEAL,SOC HSG ASSY,SLD, COD 1



TE Part #520987-2
250 FASTON HSG. REC 4P NATURAL



TE Part #1-1571983-3
GDH10S04=DIP SWITCH



TE Part #2-521361-2
ULTRAFast 187 ASSY TAB 22-18 AWG TPBR



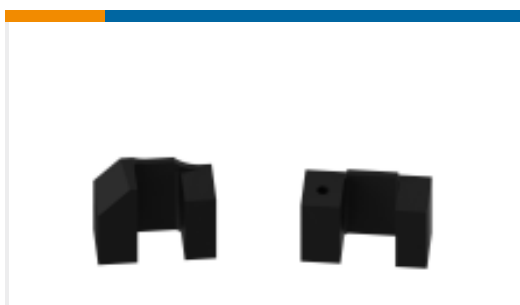
TE Part #2-1761679-6
IDC LOW PRO HDR 16P VERT BLUE



TE Part #521284-2
ULTRA-POD 187 ASSY REC 20-16 AWG TPBR



TE Part #1415538-7
RT314024WG



TE Part #2119862-2
SHEAR HOLDER, REAR



TE Part #2161335-2
SHEAR PLATE, REAR

Documents

Product Drawings

[ULTRA-FAST 187 ASY REC 16-14 AWG TPBR](#)

English

CAD Files

[3D PDF](#)

3D

[Customer View Model](#)

[ENG_CVM_CVM_3-520276-2_P.2d_dxf.zip](#)



English

Customer View Model

[ENG_CVM_CVM_3-520276-2_P.3d_igs.zip](#)

English

Customer View Model

[ENG_CVM_CVM_3-520276-2_P.3d_stp.zip](#)

English

By downloading the CAD file I accept and agree to the [Terms and Conditions](#) of use.

Datasheets & Catalog Pages

Ultra-Fast and Ultra Fast Plus

English

Product Specifications

Application Specification

English

Product Environmental Compliance

[MD_3-520276-2_0925201490_dmtec](#)

English

[MD_3-520276-2_0925201490_dmtec](#)

English

Agency Approvals

Agency Approval Document

English